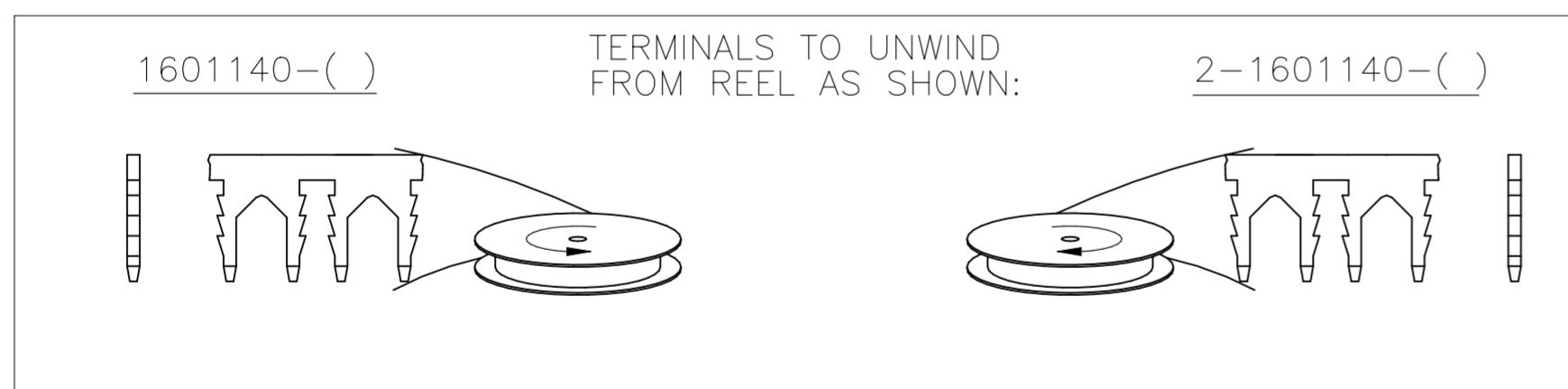
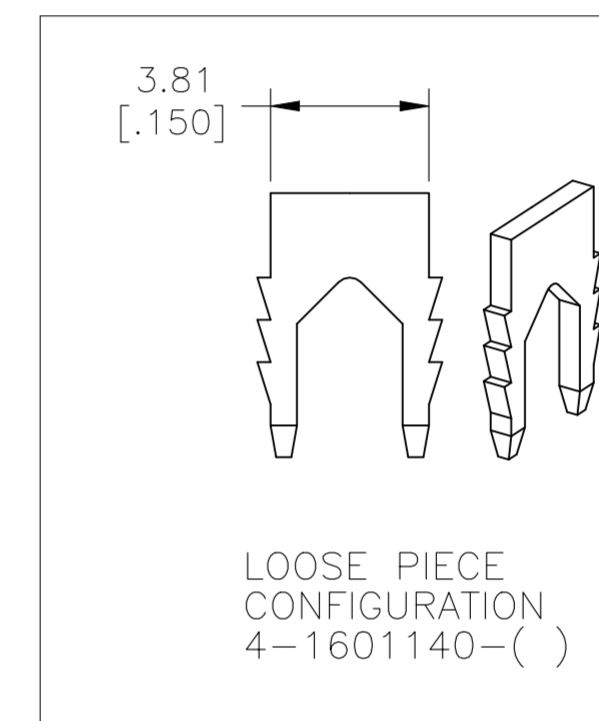
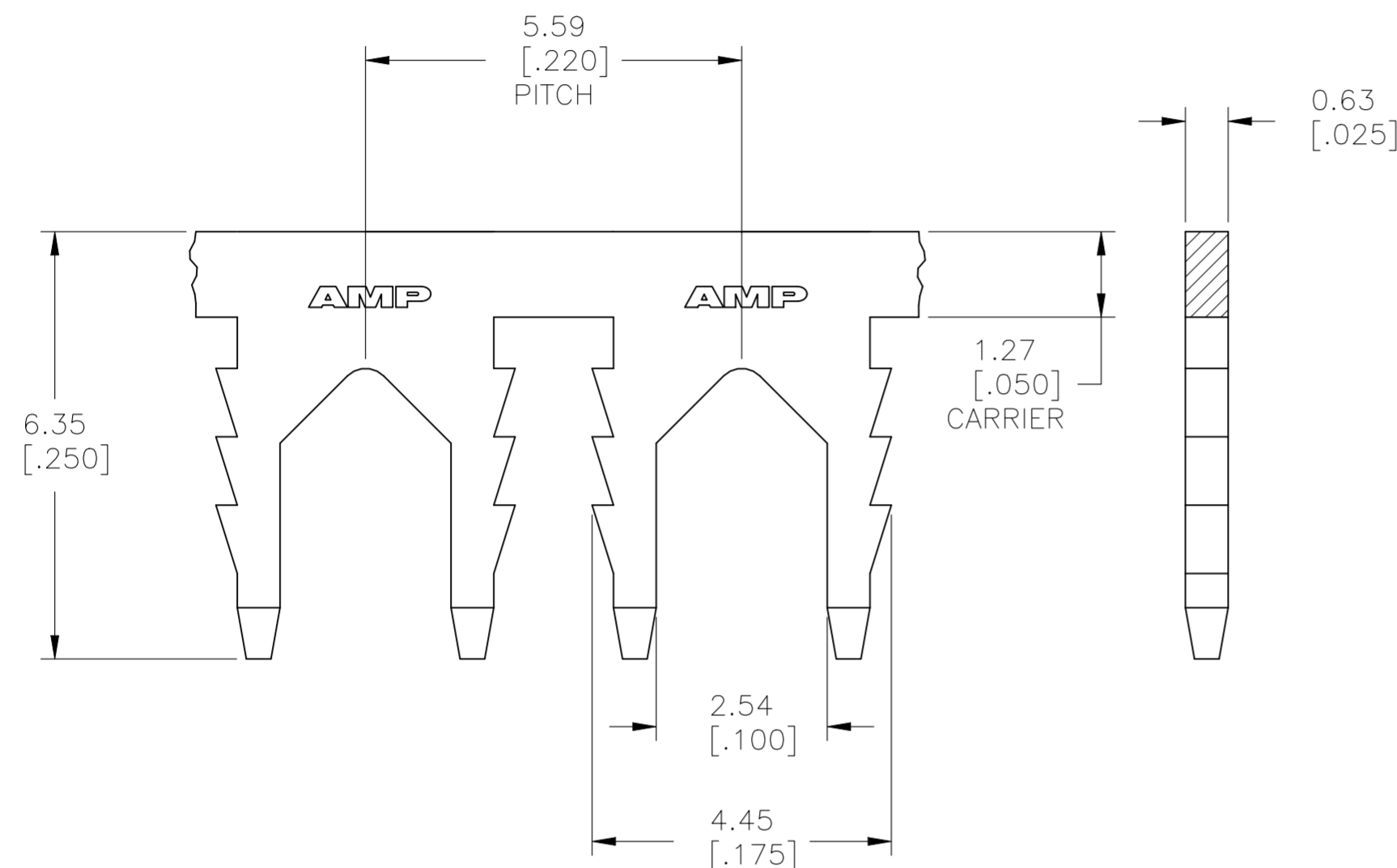


REVISIONS				
P	LTR	DESCRIPTION	DATE	APVD
C4		ADDED 1601140-2 TO PARTS TABLE	05JAN2021	MB TD

- SPECIFICATIONS:
LEAD WIRE #18 - #22 AWG, (0.8mm²-0.3mm²)
INSULATED LEAD WIRE.
MAX INSULATION O.D. 2.9mm(.115").
OTHER SIZES MAY BE ACCOMMODATED,
CONSULT TYCO ELECTRONICS FOR APPROVAL.
- POCKET RECOMMENDATION: #1601421
- STRAIN RELIEF APPLICATION TO COMPLY WITH
TYCO ELECTRONICS SPECIFICATION 114-13166, FIG 3



	POST PLATED NICKEL			1601140-2
	POST PLATED NICKEL			4-1601140-2
	UNPLATED	053-001-000		4-1601140-1
	UNPLATED	153-004-000		2-1601140-1
	UNPLATED	153-001-000		1601140-1
	FINISH	REFERENCE PART NUMBER		PART NUMBER
THIS DRAWING IS A CONTROLLED DOCUMENT.	DWN J.WELLER 11JAN2002	TE Connectivity LEAD-LOK II STRAIN RELIEF TERMINAL		
	CHK M.FEHER 11JAN2002			
	APVD K.RANDOLPH 11JAN2002			
	PRODUCT SPEC			
DIMENSIONS: mm [INCHES]	TOLERANCES UNLESS OTHERWISE SPECIFIED:	NAME	SIZE	CAGE CODE
	0 PLC ± -		A2	00779
	1 PLC ± 0.25[.010]	APPLICATION SPEC	DRAWING NO	SCALE
	2 PLC ± 0.13[.005]		C=1601140	11:1
	3 PLC ± -		RESTRICTED TO	SHEET
	4 PLC ± -			1 OF 1
	ANGLES ± 2°			REV
MATERIAL BRASS, SPRING HARD	FINISH SEE TABLE	WEIGHT 0.000000		C4
		CUSTOMER DRAWING		

单击下面可查看定价，库存，交付和生命周期等信息

[>>TE Connectivity\(泰科\)](#)