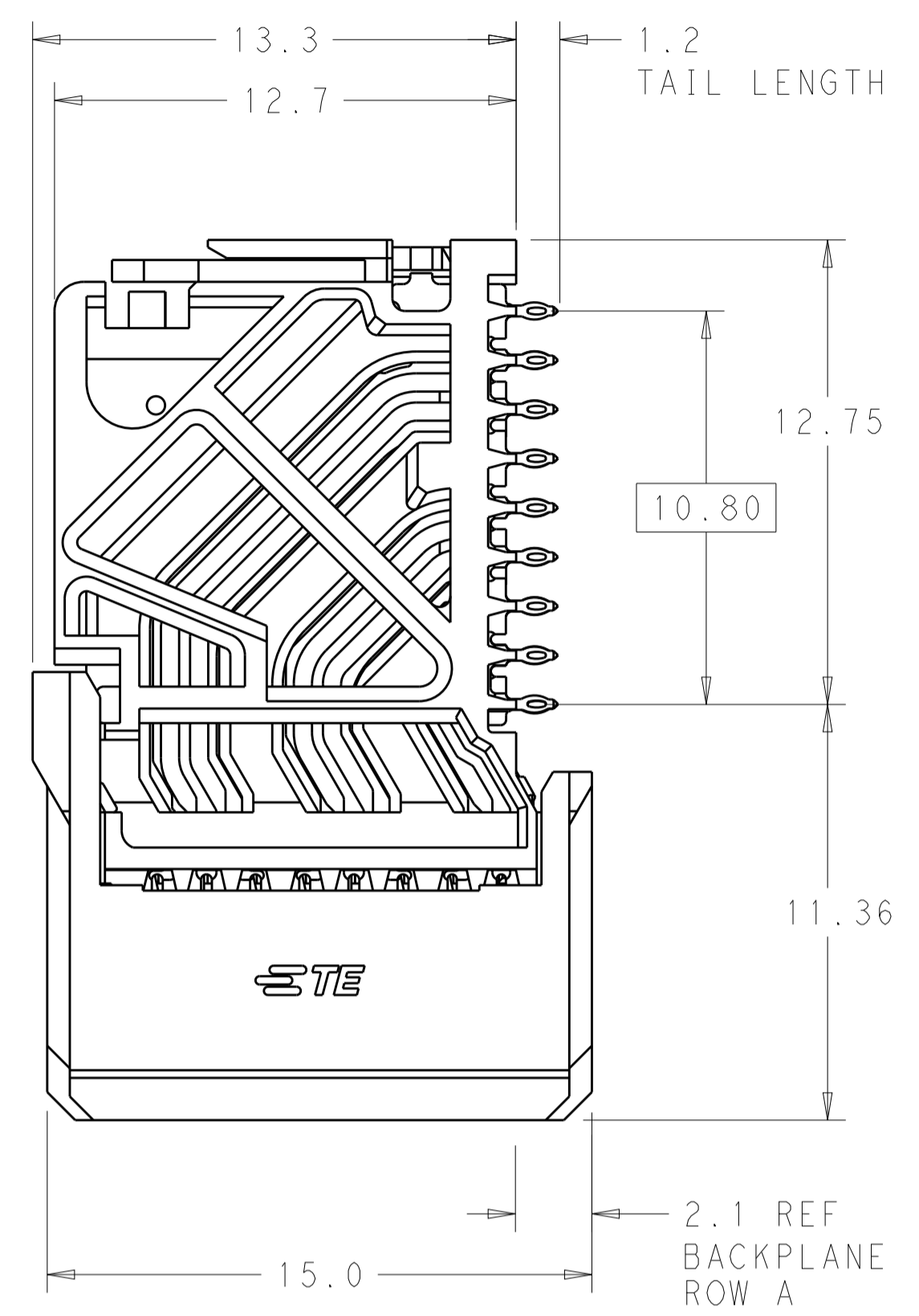
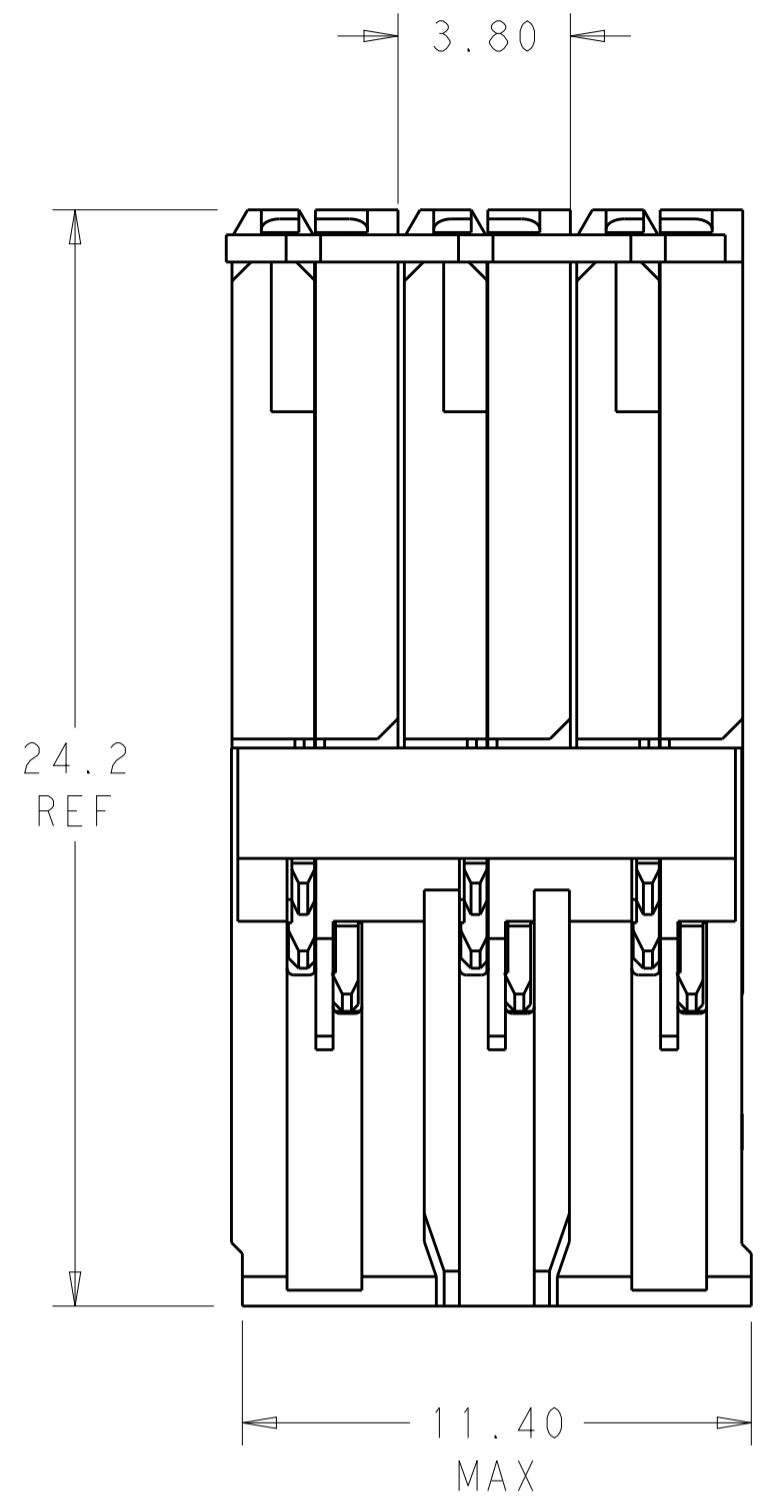
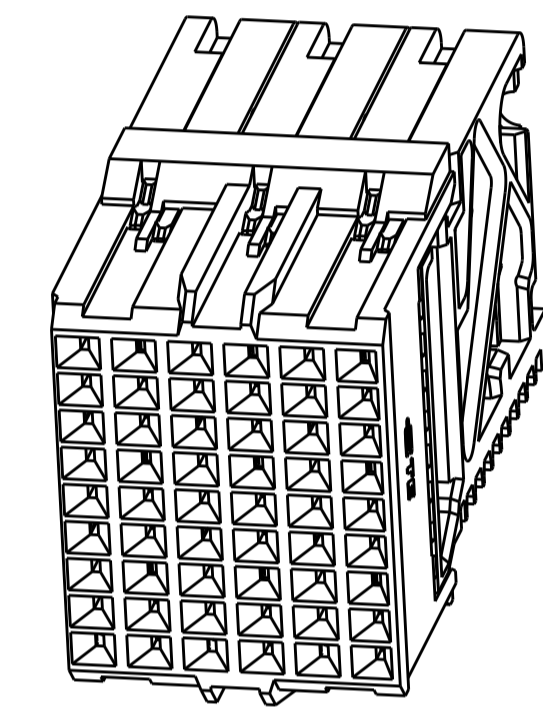


LOC		DIST		REVISIONS			
P	LTN	DESCRIPTION	DATE	DWN	APVD		
C1		REVISED PER ECO-14-018035	11MAR2015	AP	DD		

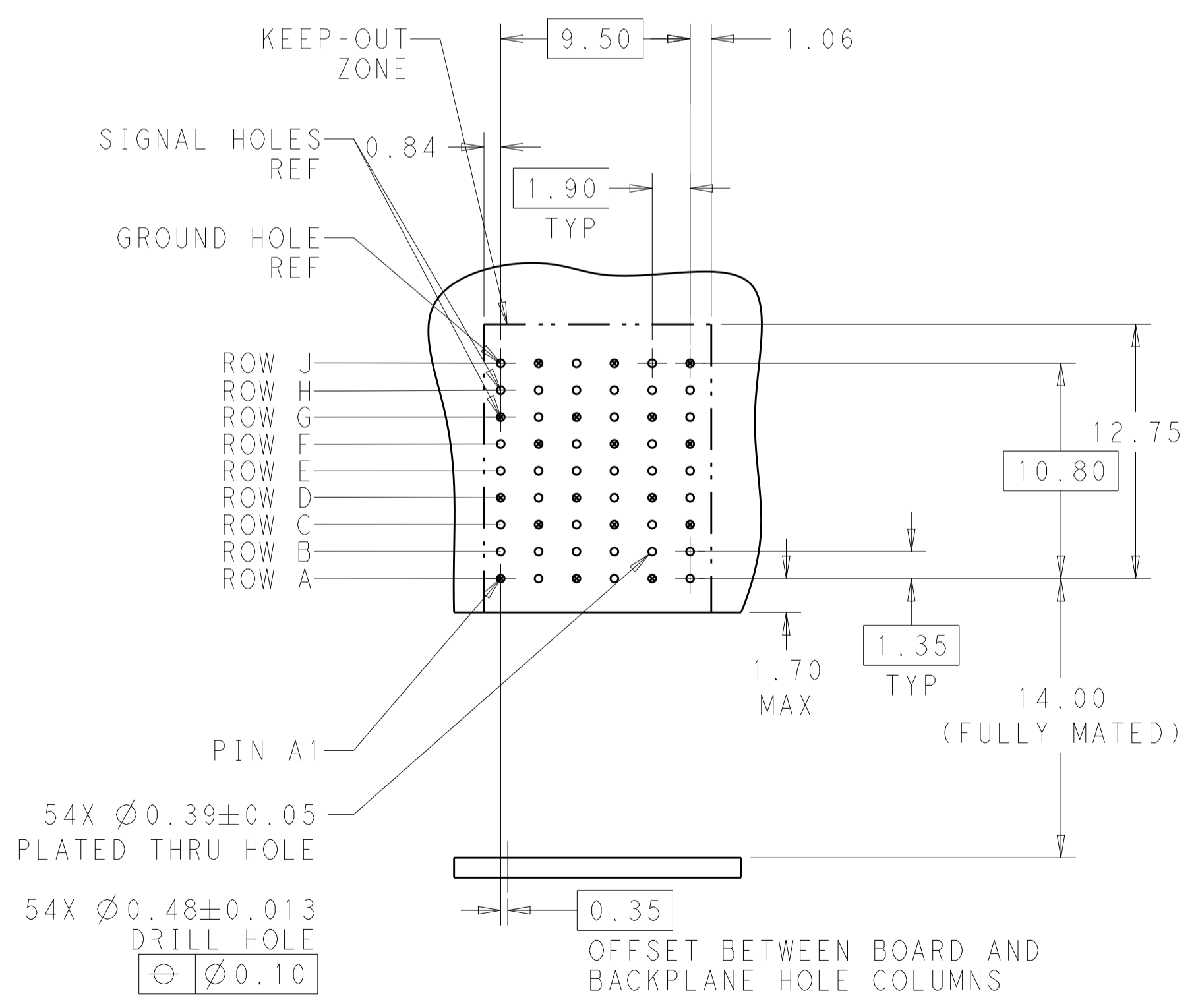
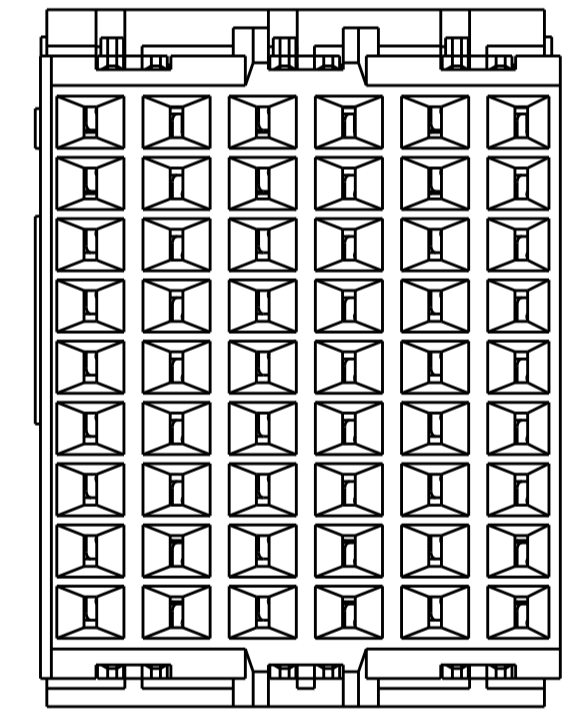


⚠ MATERIAL:  
 HOUSING: LCP, GLASS FILLED, UL94V-0.  
 TERMINALS: HIGH PERFORMANCE COPPER ALLOY.

⚠ FINISH:  
 30μ" SELECTIVE GOLD IN CONTACT AREA. SELECTIVE TIN ON PCB TAILS, NICKEL OVERALL.



SCALE 4:1



54X Ø0.39±0.05 PLATED THRU HOLE  
 54X Ø0.48±0.013 DRILL HOLE  
 Ø0.10

RECOMMENDED PCB LAYOUT  
 MIN BOARD THICKNESS 1.0

NONE	⚠	2132500-1
KEY POSITION	FINISH	PART NUMBER

THIS DRAWING IS A CONTROLLED DOCUMENT.		DWN Z. MILLER 23SEP2010	NAME	
DIMENSIONS:		CHK D. DIXON 23SEP2010	IMPACT, 3 PAIR, DAUGHTERCARD	
TOLERANCES UNLESS OTHERWISE SPECIFIED:		APVD D. DIXON 23SEP2010	6 COLUMN, UNGUIDED, SIGNAL MODULE, 0.39 EYELET	
mm	0 PLC ±	PRODUCT SPEC	SIZE	CAGE CODE
	1 PLC ±0.2	APPLICATION SPEC	A1	00779
	2 PLC ±0.10	WEIGHT	SCALE	6:1
	3 PLC ±	CUSTOMER DRAWING	SHEET	1 OF 1
	4 PLC ±		REV	C1
	ANGLES ±			
MATERIAL	FINISH SEE TABLE			

单击下面可查看定价，库存，交付和生命周期等信息

[>>TE Connectivity\(泰科\)](#)