

THIS DRAWING IS UNPUBLISHED.
DIFFUSION RESTREINTE AMP

RELEASED FOR PUBLICATION
LIBRE A LA DIFFUSION

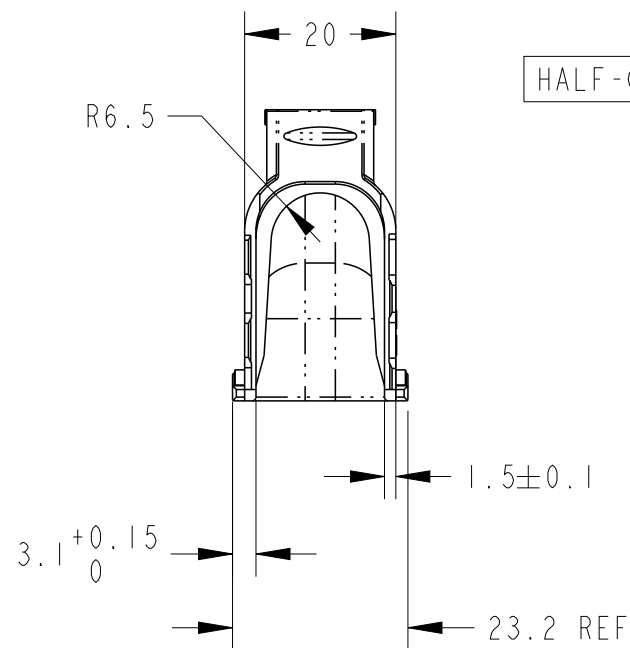
20

© COPYRIGHT 1997 BY -

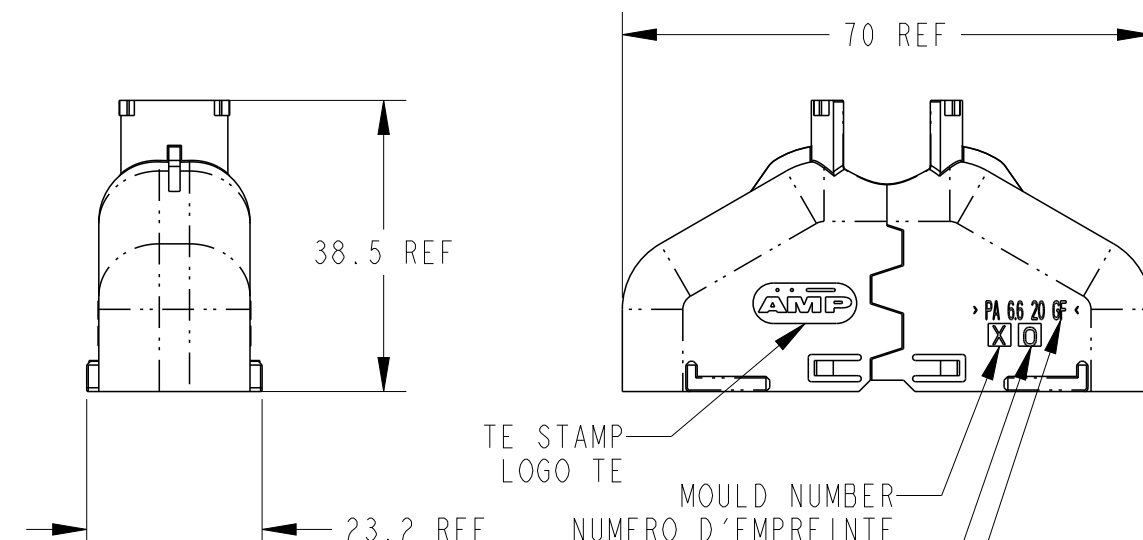
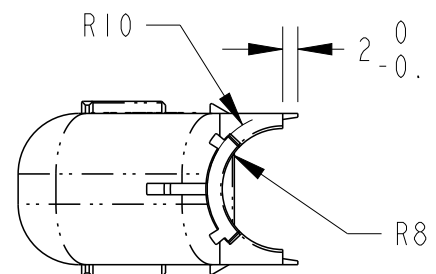
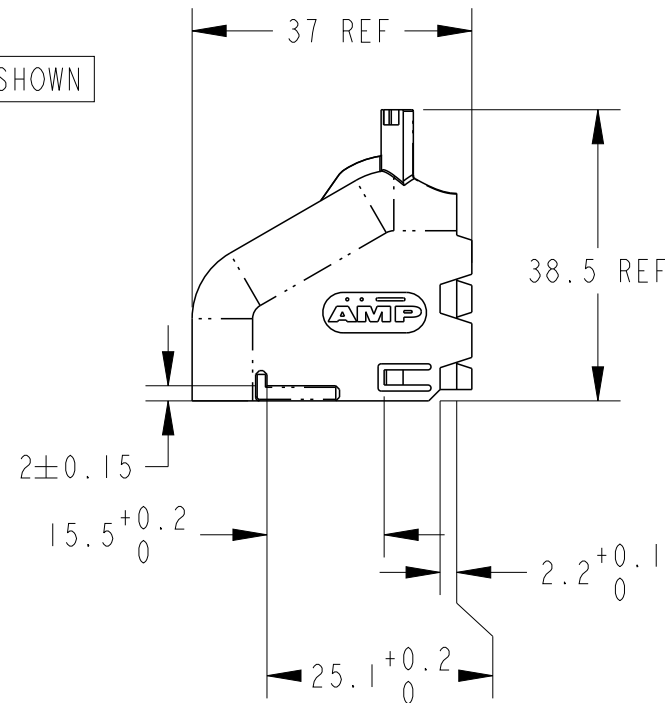
ALL RIGHTS RESERVED.
TOUS DROITS RESERVES

REVISIONS

P	LTR REV	DESCRIPTION MODIFICATIONS	DATE	DWN DESS.	APVD APP.
	A	PA 66 20% FV WAS PA 66 25% FV	21SEPI998	RB	-
	B	TOLERANCE ON DIM 1.5	15JUN2000	DB	JJR
	C	REMOVE DIM TO AVOID REDUNDANCY DIMENSION	29MAR2010	DB	JJR
	D	CLARIFICATION OF NET WEIGHT	24FEB2016	DB	XR



HALF-COVER AS SHOWN



1 A UNIT = 953040-2 = 1 HALF-COVER.
A PAIR = 953040-1 = 2 HALF-COVERS.

UNE UNITE CORRESPOND A : voir ci-contre
UNE PAIRE DE DEMI-CAPOT : voir ci-contre

* : NET WEIGHT FOR 1 PN 953040-1

		2	BLACK	PA66 20% GF	VERTICAL COVER
COMPONENT	QTY		COLOR	MATERIAL	DESIGNATION
		953040-X	MAX ADMISSIBLE STRAND Ø 16 mm		
-3	-2	-1			

		2	NOIR	PA66 20% FV	CAPOT VERTICAL
QTE COMPOSANT			COULEUR	MATIERE	DESIGNATION
		953040-X	TORON MAXI ADMISSIBLE Ø 16 mm		
-3	-2	-1			

THIS DRAWING IS A CONTROLLED DOCUMENT.
CE PLAN EST UN DOCUMENT CONTROLE PAR AMP INCORPORATED.
IL EST SUSCEPTIBLE D'ETRE REVISE. CONTACTER LE SERVICE
TECHNIQUE D'AMP DE FRANCE POUR OBTENIR LA DERNIERE REVISION.

DIMENSIONS: mm	TOLERANCES UNLESS OTHERWISE SPECIFIED: TOLERANCES NON SPECIFIEES (SUIV NB DE DECIMALES): ±0.2 ±0.2 ±0.2 ±0.2 ±0.2 ANGLES ±5°
MATERIAL MATIERE	FINISH FINITION
SEE TABLE	SEE TABLE

DWN/DESSINE	03JUL1997
D.COQUELET	
CHK/VERIFIE	05JUN2000
JP.PICAUD	
APVD/APPROUVE	05JUN2000
JJ.REV11	
PRODUCT SPEC SPEC, PRODUIT	108-15172
APPLICATION SPEC SPEC, APPLICATION	411-15599
WEIGHT MASSE APPROX.	9.8g *

		TE Connectivity	
NAME TITRE		VERTICAL COVER, 31 WAYS HYBRID TIMER CONNECTEUR	
SIZE FORMAT	CAGE CODE	DRAWING NO No PLAN	RESTRICTED TO RESERVE A
A3	00779	953040	-
CUSTOMER DRAWING /PLAN CLIENT	UNIQUEMENT POUR REFERENCE	SCALE ECHELLE 1:1	SHEET FEUILLE 1 OF DE 1 REV D

单击下面可查看定价，库存，交付和生命周期等信息

[>>TE Connectivity\(泰科\)](#)