

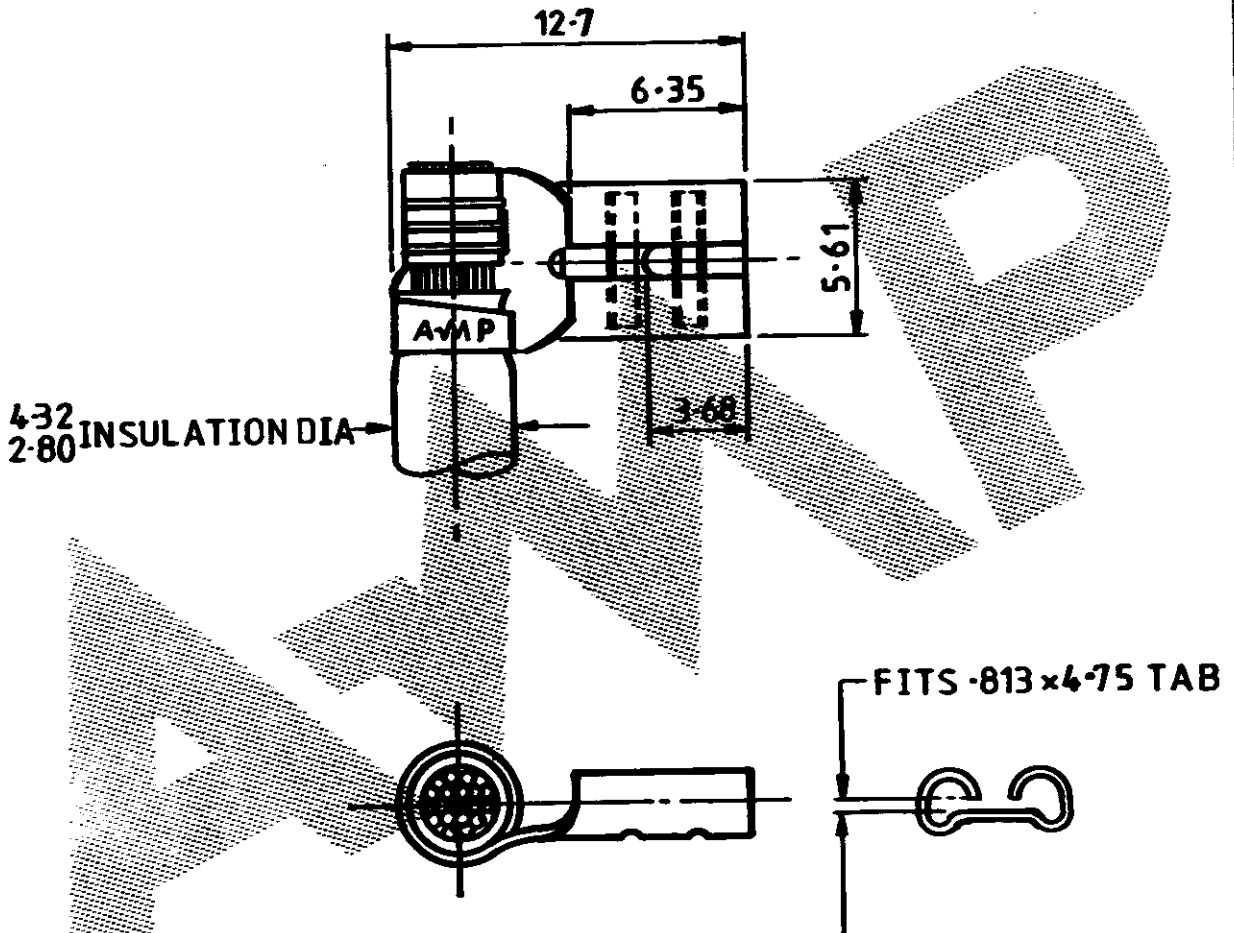
DO NOT SCALE

DIMENSIONS IN m.m

METRIC



NUMBER C 150699



TERMINAL NO	FINISH
150699 -1	NONE
150699 -2	ELECTRO-TIN

	SEE TABLE	.0126"BRASS	150699-1
OTHER TREATMENT	FINISH	MATERIAL	PART NUMBER
CUSTOMER DWG FOR REFERENCE ONLY		THIS DRAWING IS UNPUBLISHED   RELEASED FOR PUBLICATION	
	TOLERANCES UNLESS OTHERWISE STATED:- DEC. = 0.5 ANGLES = 1°	INS. DIA. RANGE 20 - 16	SCALE 4:1
	DR. A. B. HAYDEN	NAME WIRE TERMINAL -187 SERIES FLAG FASTON	
3	REVISED PER ECO-11-005294	CHK. <i>Mark H...</i>	LOC. DWG. NO. E C 150699
ISS	REVISION RECORD	DR. DATE	SHEET 1 of 1

PRINT

单击下面可查看定价，库存，交付和生命周期等信息

[>>TE Connectivity\(泰科\)](#)