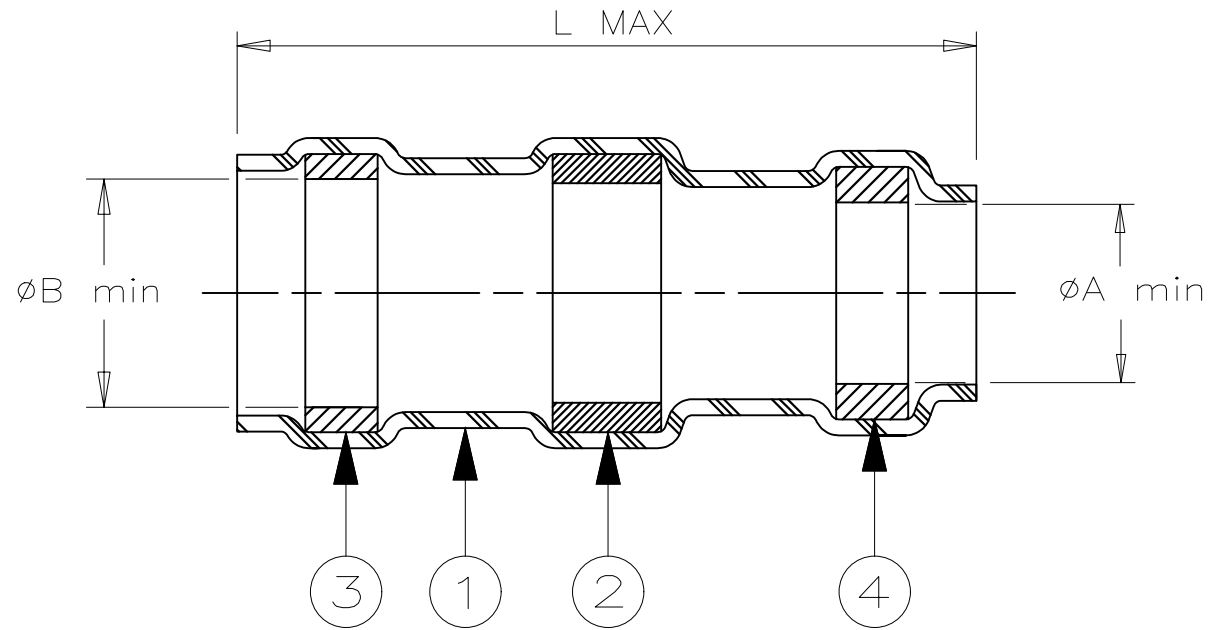
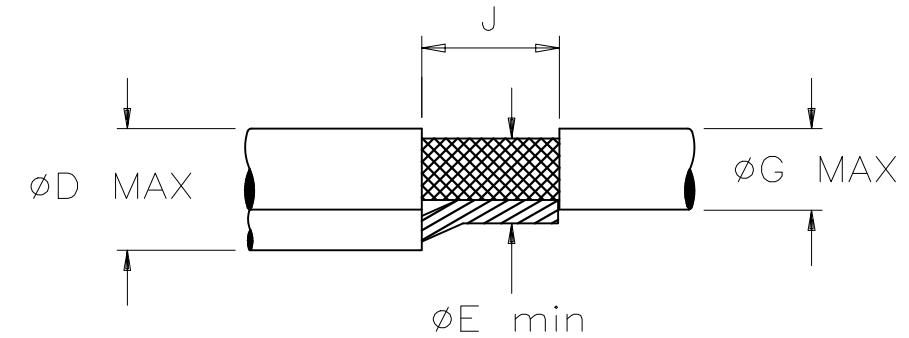


P	LTR	DESCRIPTION	DATE	DWN	APVD
4		AS PER ECO-20-004511	30MAR2020	MG	UV



For best results, prepare the cable as shown:



APPLICATION

These parts are designed to provide an environment protected shield termination on cables, rated for 125°C minimum, meeting the dimensional criteria listed, having tin or silver plated copper shields.

Install using TE Connectivity approved convection or infrared tools in accordance with Raychem assembly procedure RCPS-100-70.

PERFORMANCE

Assemblies will meet requirements of Raychem specification RT-1404 and National Aerospace Standard NAS-1747.


Temperature range: -55°C to +150°C.

TECHNICAL DETAILS

ITEM	DESCRIPTION	MATERIAL
1	Heat-shrinkable insulation sleeve Transparent blue.	Radiation cross-linked polyvinylidene fluoride.
2	Solder preform with flux.	Sn63 Pb37 solder alloy Thermal indicator: violet
3	Meltable ring. color: grey	Thermally stabilized thermoplastic.
4	Meltable ring. color: grey	Thermally stabilized thermoplastic.

Product Name	Product dimensions			Cable dimensions			
	L MAX	ØA min	ØB min	ØD MAX	ØE min	ØG MAX	J±0.5 (±0.02)
D-101-00	17.25 (0.680)	4.55 (0.180)	5.00 (0.200)	5.00 (0.200)	2.5 (0.100)	4.55 (0.180)	7 (0.275)

IF THIS DOCUMENT IS PRINTED IT BECOMES UNCONTROLLED. CHECK FOR THE LATEST REVISION.

THIS DRAWING IS A CONTROLLED DOCUMENT.		DWN M.GOWDA 30MAR2020	 TE Connectivity			
DIMENSIONS: mm [INCHES]		CHK N.HEGDE 30MAR2020				
TOLERANCES UNLESS OTHERWISE SPECIFIED:		APVD U.VARMA 30MAR2020				
0 PLC ± - 1 PLC ± - 2 PLC ± - 3 PLC ± - 4 PLC ± - ANGLES ± -		NAME				
MATERIAL		PRODUCT SPEC	SOLDERSLEEVE SHIELD TERMINATOR			
FINISH		APPLICATION SPEC	SIZE	CAGE CODE	DRAWING NO	RESTRICTED TO
-		WEIGHT	A3	06090	C=D-101-00	-
CUSTOMER DRAWING			SCALE	SHEET	REV	
			DNS	1 OF 1	4	

单击下面可查看定价，库存，交付和生命周期等信息

[>>TE Connectivity\(泰科\)](#)