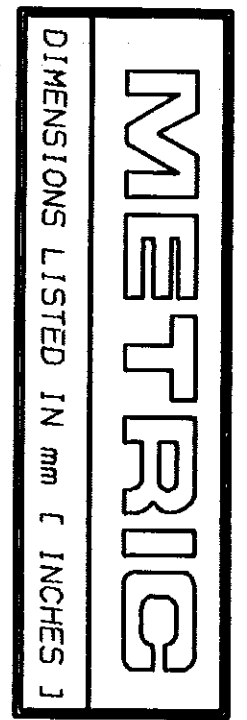
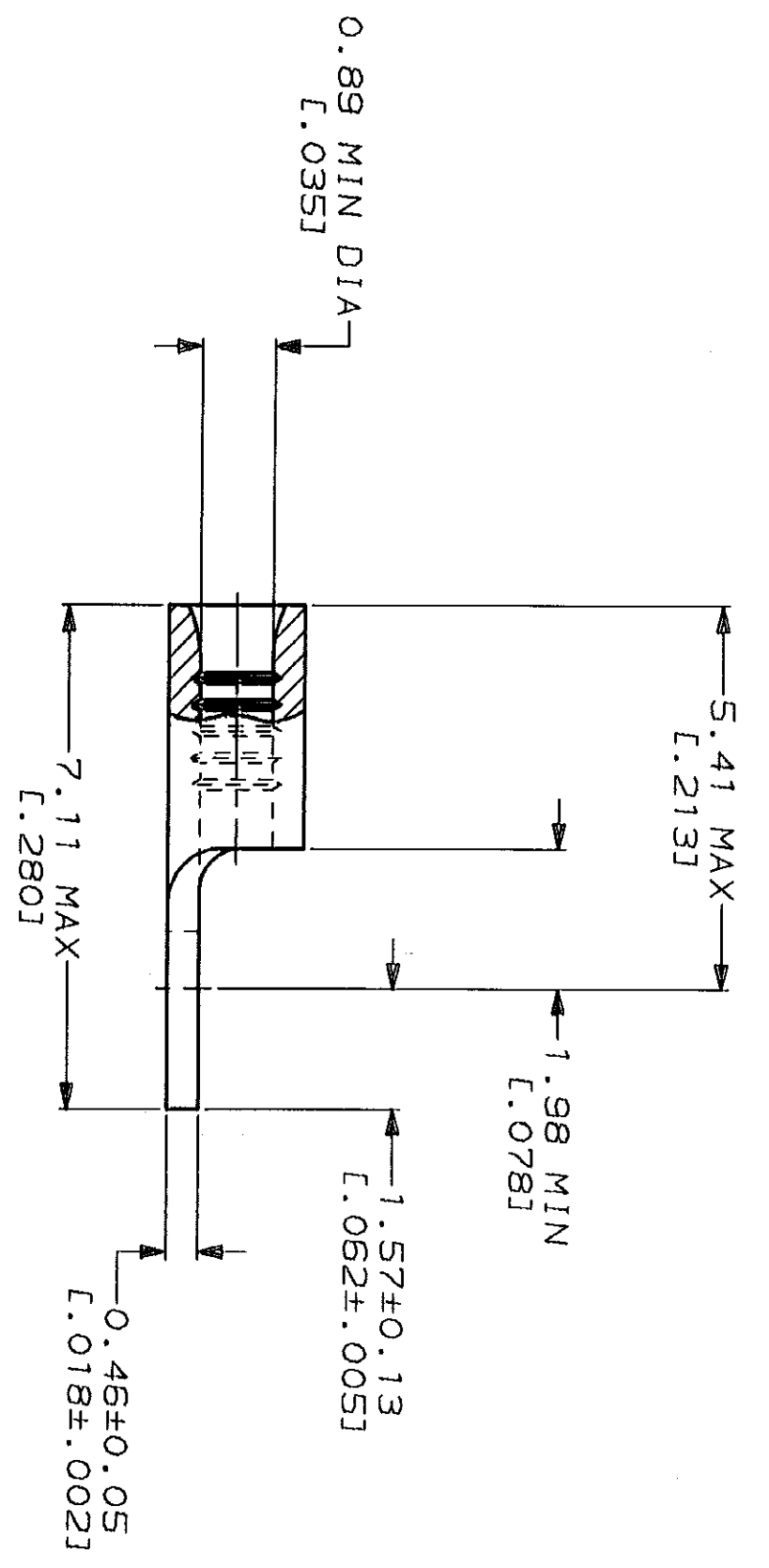
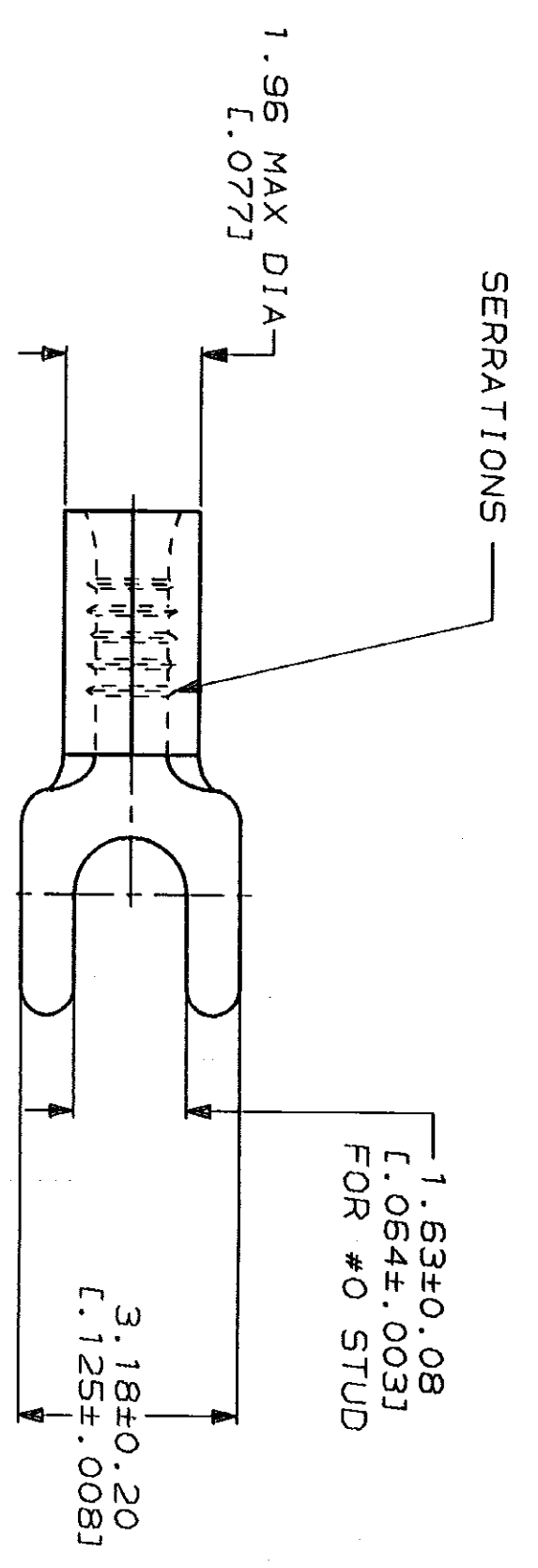


LOC	DIST	ZONE	LTR	DESCRIPTION	DATE	APPD
G	14			RELEASED PER 0720-0008-93	2-16-93	JL DAP

REVISIONS	
NO	DESCRIPTION
0	RELEASED PER 0720-0008-93



AMP WIRE RANGE	JL E13288 Listed
26-22 AWG STRANDED	NOT LISTED
JL LR2189 Certified	MILITARY P/N AND CLASS
NOT CERTIFIED	NOT APPLICABLE



**AMP INCORPORATED
 CUSTOMER SERVICE SYSTEMS**

FOR ADDITIONAL PRODUCT INFORMATION OR COPIES OF DRAWINGS AND TECHNICAL DOCUMENTS	PRODUCT INFORMATION CENTER 1-800-522-6752
FOR APPLICATION TOOLING INFORMATION	TOOLING ASSISTANCE CENTER 1-800-722-1111
FOR ORDER ENTRY	1-800-526-5142

MAX RECOMMENDED OPERATING TEMPERATURE:	170°C MAX
VOLTAGE RATING:	NOT APPLICABLE
WIRE CROSS SECTIONAL AREA RANGE:	0.1-0.41 mm² [202-810] CIR MILS STRANDED

DO NOT SCALE PRINT.
 UNLESS SPECIFIED
 DIMENSIONS IN mm [INCHES]
 TOLERANCES ON :
 2 PLC DEC ±
 3 PLC DEC ±
 ANGLES
 MATERIAL
 COPPER PER
 ASTM B-152
 ANNEALED

DR 2-16-93 TA BRINKMAN	FINISH TIN PLATE
CHK 2-16-93 DA PATTERSON	0.00254 [L.000100] MIN THK PER MIL-T-10727
APPD 2-16-93 DE MILLER	
APPD 2-16-93 JL MECKLEY	
PRODUCT SPEC	
APPLICATION SPEC	
WEIGHT	

AMP AMP Incorporated Harrisburg, PA 17105-3608	NAME AMP TERMINAL, SPADE TONGUE, BUDGET
32501 PART NO	SIZE CAGE CODE 00779 DRAWING NO G-32501
	SCALE 10:1
	SHEET 1 OF 1

单击下面可查看定价，库存，交付和生命周期等信息

[>>TE Connectivity\(泰科\)](#)