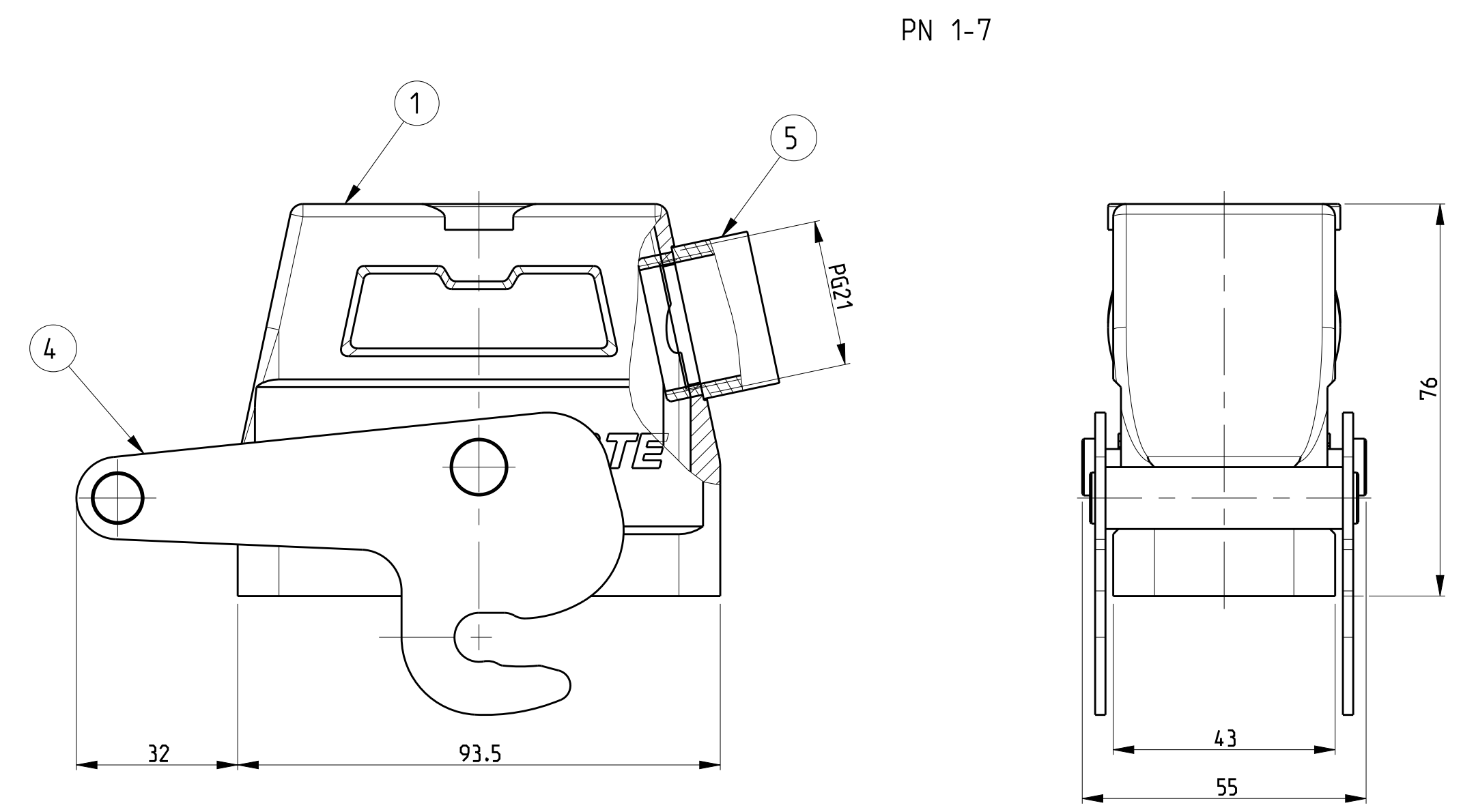
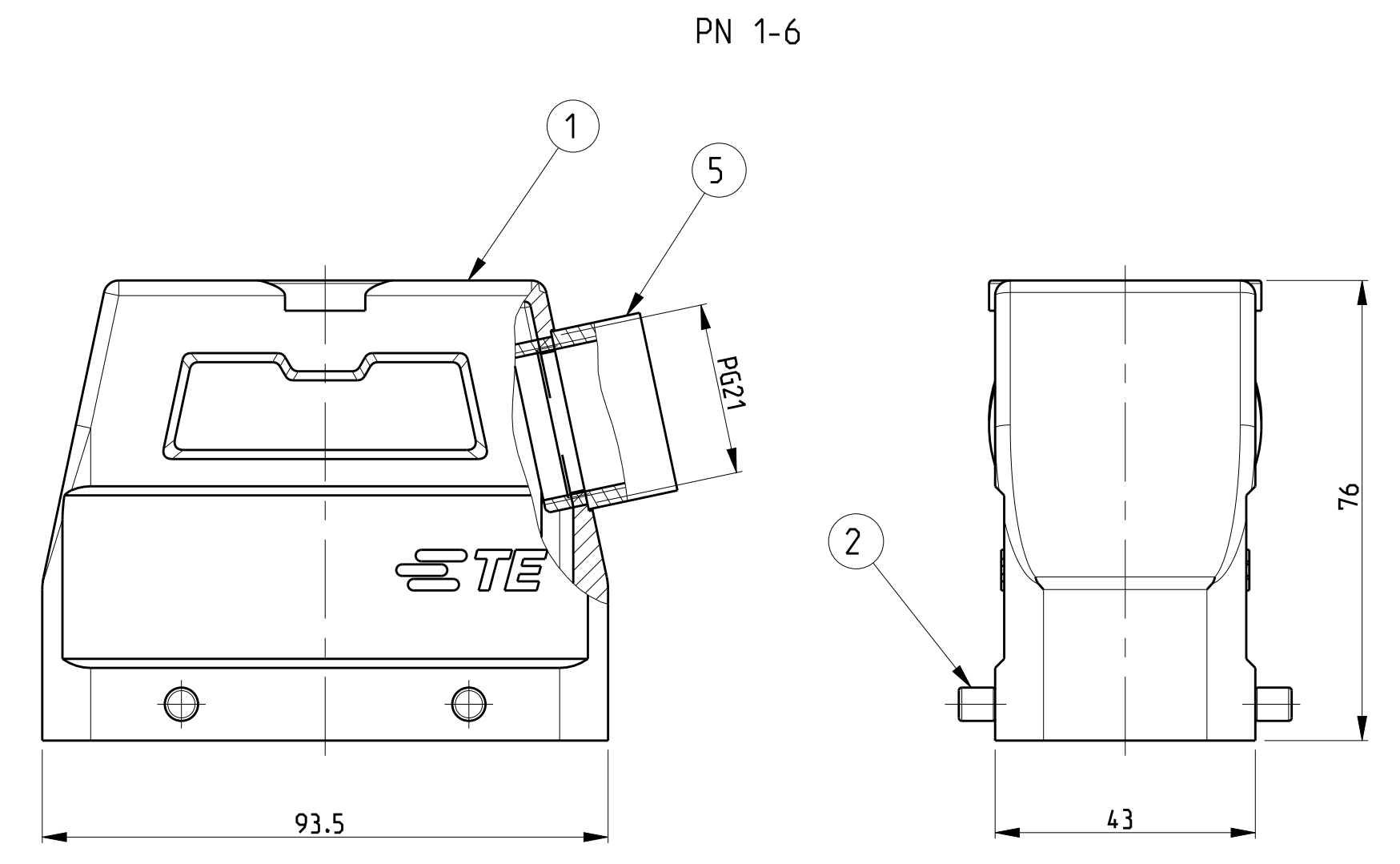
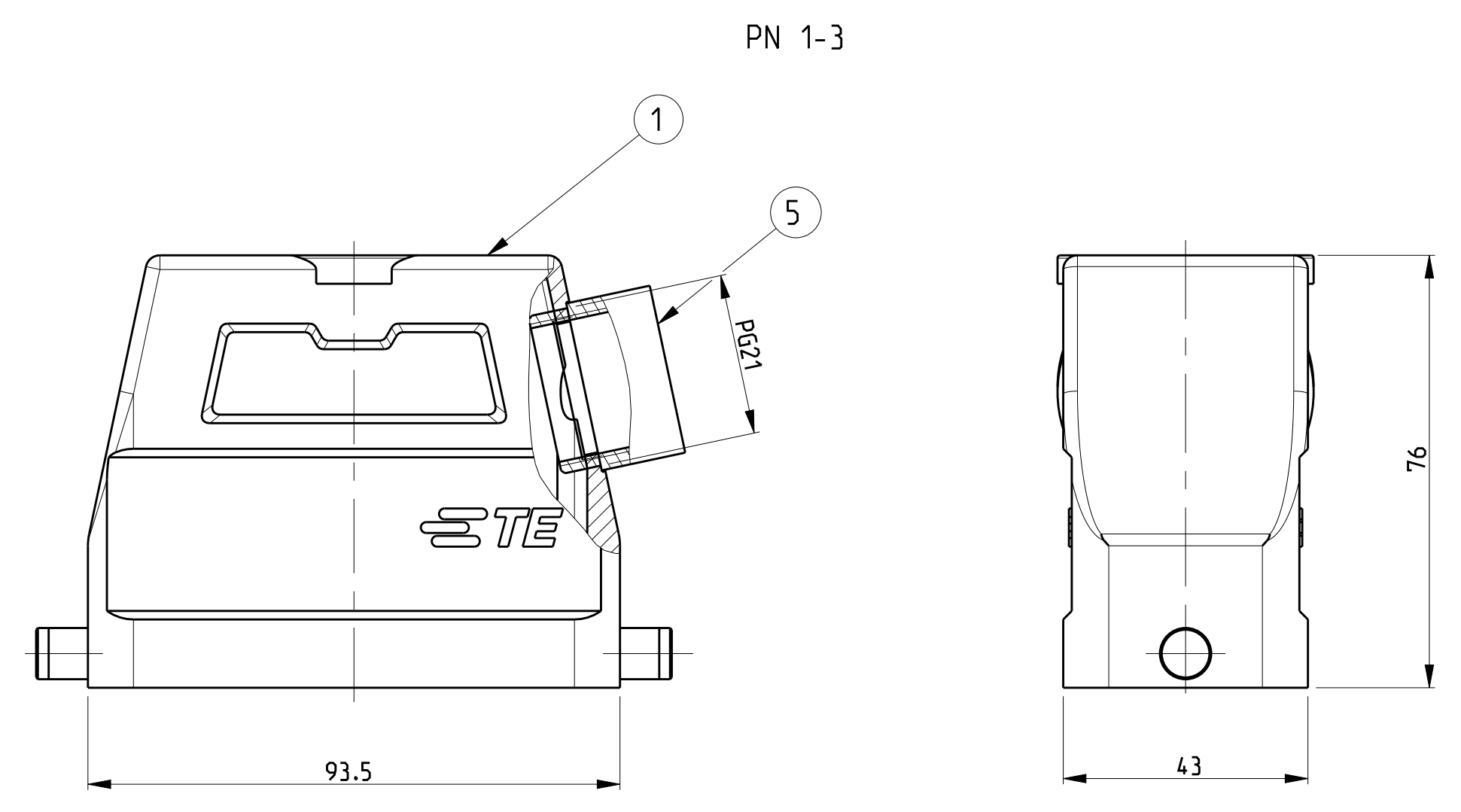
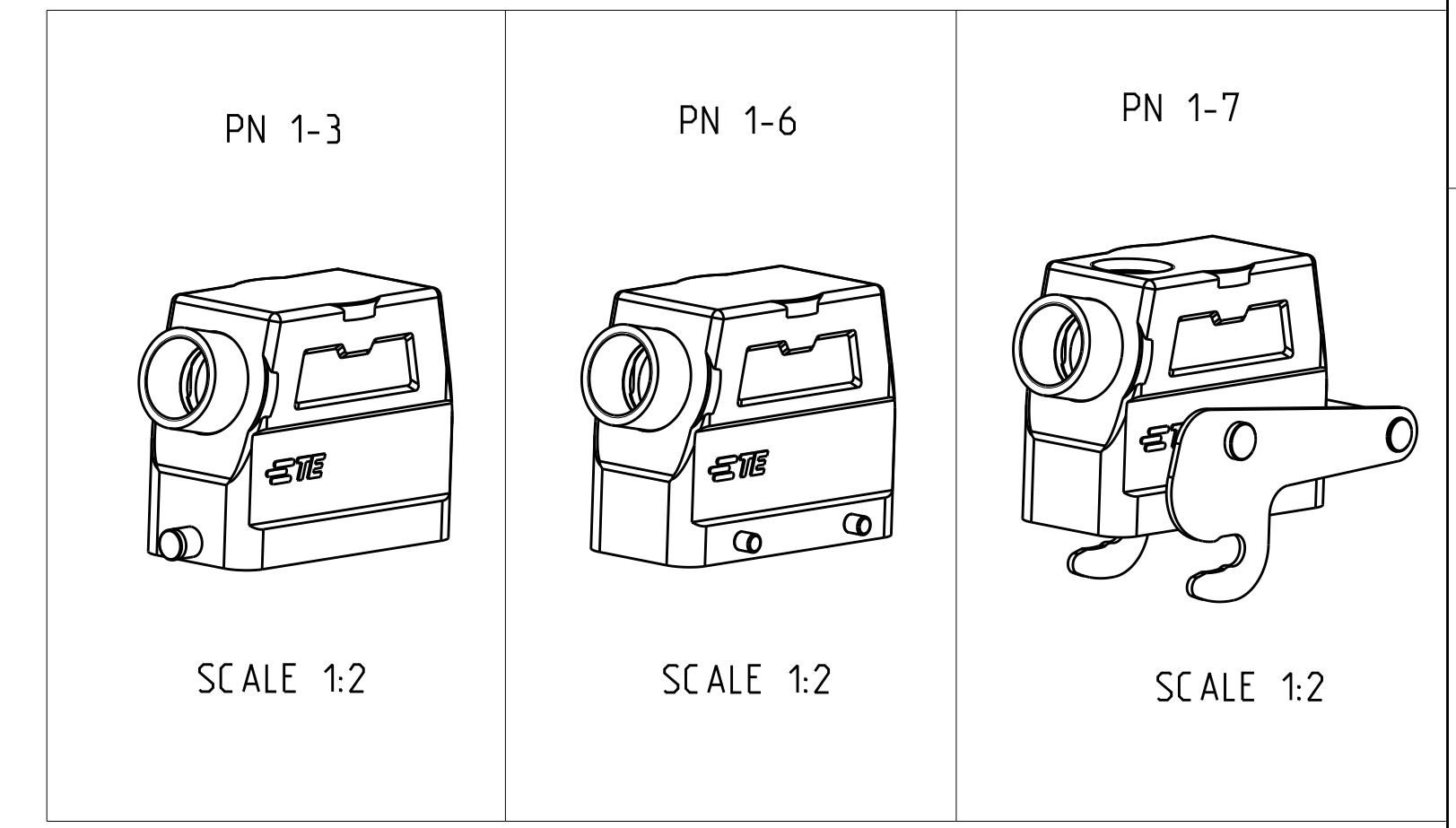


REVISIONS				
P	LTR	DESCRIPTION	DATE	DWN APVD
A3		Released as per ECR-07-012890	12-06-07	SK TS
A4		REVISED PER ECO-09-027197	17DEC09	KK AEG
A5		REVISED PER ECR-16-016768	18AUG2017	AP MKO



- NOTES
- 1 Material: Housing: aluminium diecasting alloy
Seals: Neoprene
 - 2 Surface: - varnish- grey
 - 3 Varnish on the inside not necessarily
 - 4 Packaging
Folding carton PN 0-1243099-1
Packaging quantity: 5 pieces
 - 5 OBSOLETE PARTS: OBSOLETE CIS STREAMLINING
PER D.RENAUD/D.SINISI



QTY	REF	DESCRIPTION	MATERIAL	SURFACE	COLOR	ITEM NO	NOTES		
1	1	Adaptor Pg21	Brass	Nickel plated	-	5	-		
2	1	LB-Clip bolt	Steel	Zinc plated	Blue	4	-		
2	1	VS-Clip	Steel	Zinc plated	Blue	3	-		
4	1	VS-Clip bolt	Steel	Zinc plated	Blue	2	-		
1	1	Hood HD.40.Pg.1.21	Aluminium	-	Grey	1	-		
1-3	1-7	1-1	1-6	DESCRIPTION	MATERIAL	SURFACE	COLOR	ITEM NO	NOTES
ORDERING TEXT									
HD.40.Sts-1.21.Z									
HD.40.Sts-VS-1.21.Z									
HD.40.Sts-GR.1.21.Z									
HD-Z.40.Sts-ZB.1.21.Z									

THIS DRAWING IS A CONTROLLED DOCUMENT. DWN 20.08.01
 Schneider
 Che 20.08.01
 Schnurfeil

TE Connectivity

NAME: Hood HD.40.STS.1.21.Z

PRODUCT SPEC: -

APPLICATION SPEC: -

SIZE: A1 CAGE CODE: 00779 DRAWING NO: C-1102563

RESTRICTED TO: -

WEIGHT: -

CUSTOMER DRAWING

SCALE: 1:1 SHEET: 1 OF 1 REV: A5

单击下面可查看定价，库存，交付和生命周期等信息

[>>TE Connectivity\(泰科\)](#)