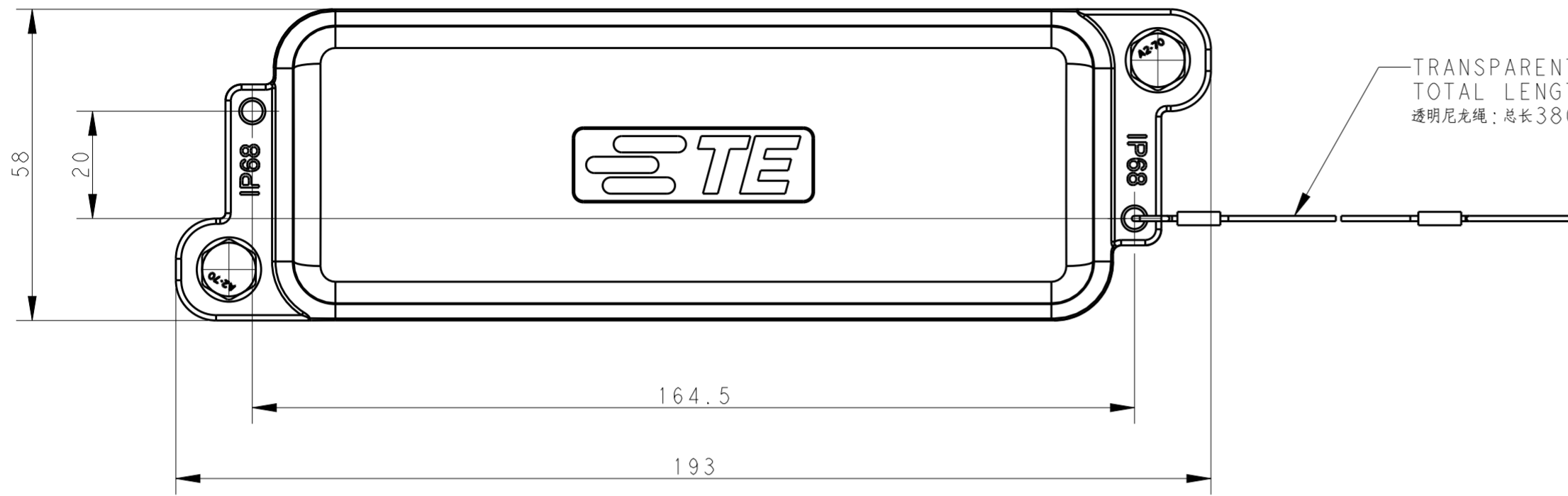
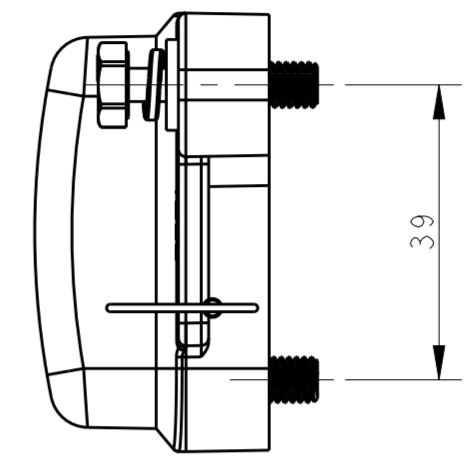


THIS DRAWING IS UNPUBLISHED. RELEASED FOR PUBLICATION 20  
 © COPYRIGHT 20 BY - ALL RIGHTS RESERVED.

REVISIONS				
P	LTR	DESCRIPTION	DATE	APVD
A		INITIAL RELEASE	22OCT2016	DW CW
A1		ECR-17-008404	10JUN2017	CH CW

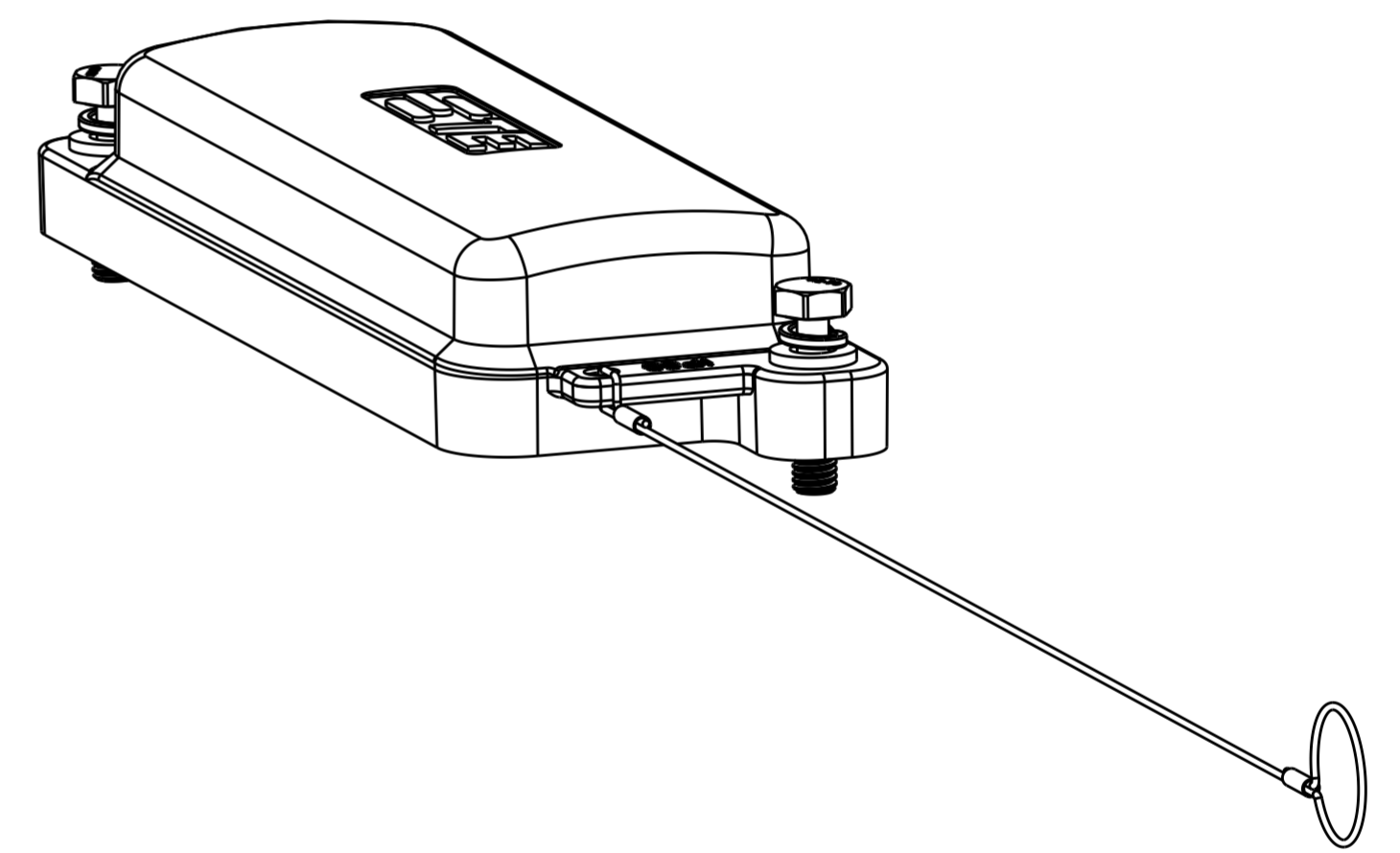
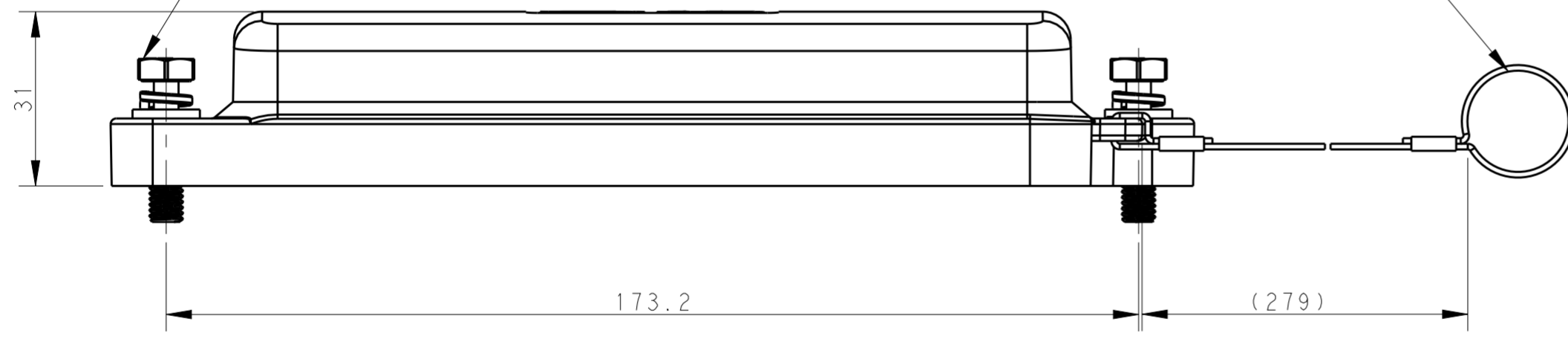


TRANSPARENT NYLON ROPE:  
 TOTAL LENGTH 380mm, DIA.  $\varnothing$ 1.0mm  
 透明尼龙绳: 总长380mm, 直径 $\varnothing$ 1.0mm



LOOP SIZE DEFAULT VALUE DIA.  $\varnothing$ 18,  
 UNLESS HAVE SPECIAL REQUIREMENT.  
 套圈大小默认值直径是 $\varnothing$ 18, 除非有特别要求.

2XM6 SCREW, RECOMMENDED TIGHTENING TORQUE 4.0Nm  
 2XM6 螺丝, 推荐锁紧扭矩4.0Nm



NOTES:  
 1. TECHNICAL CHARACTERISTICS:  
 COVER MATERIAL: DIE CAST ALUMINIUM ALLOY  
 SURFACE TREATMENT: SEE TABLE

注释  
 1. 技术参数:  
 壳体材料: 铝合金  
 表面处理: 见表格

T1990240000-009	H24BPR-KDBM-EMC-C	H24BPR HOUSING METAL PROTECTION COVER, DIAGONAL LOCKING, NYLON ROPE, PASSIVATION+POWDER COATED, BLACK / H24BPR对角锁定金属保护盖, 尼龙绳, 钝化+黑色粉末喷涂
PART NUMBER 料号	PART DESCRIPTION 描述	

THIS DRAWING IS A CONTROLLED DOCUMENT.		DWN DAVID.WANG 22OCT2016	TE Connectivity	
DIMENSIONS:		CHK CHRIS.WANG 22OCT2016		
TOLERANCES UNLESS OTHERWISE SPECIFIED:		APVD XIANG.XU 22OCT2016		
mm	0 PLC $\pm$	PRODUCT SPEC	NAME H24BPR-KDBM-EMC-C	
	1 PLC $\pm$	-	SIZE A2	
	2 PLC $\pm$	-	CAGE CODE -	
	3 PLC $\pm$	-	DRAWING NO. C-T1990240000009	
	4 PLC $\pm$	-	RESTRICTED TO -	
MATERIAL	ANGLES $\pm$	FINISH	WEIGHT	SCALE 1:1
-	-	-	-	SHEET 1 OF 1
-	-	-	-	REV A1

单击下面可查看定价，库存，交付和生命周期等信息

[>>TE Connectivity\(泰科\)](#)