

THIS DRAWING IS UNPUBLISHED.

RELEASED FOR PUBLICATION

20

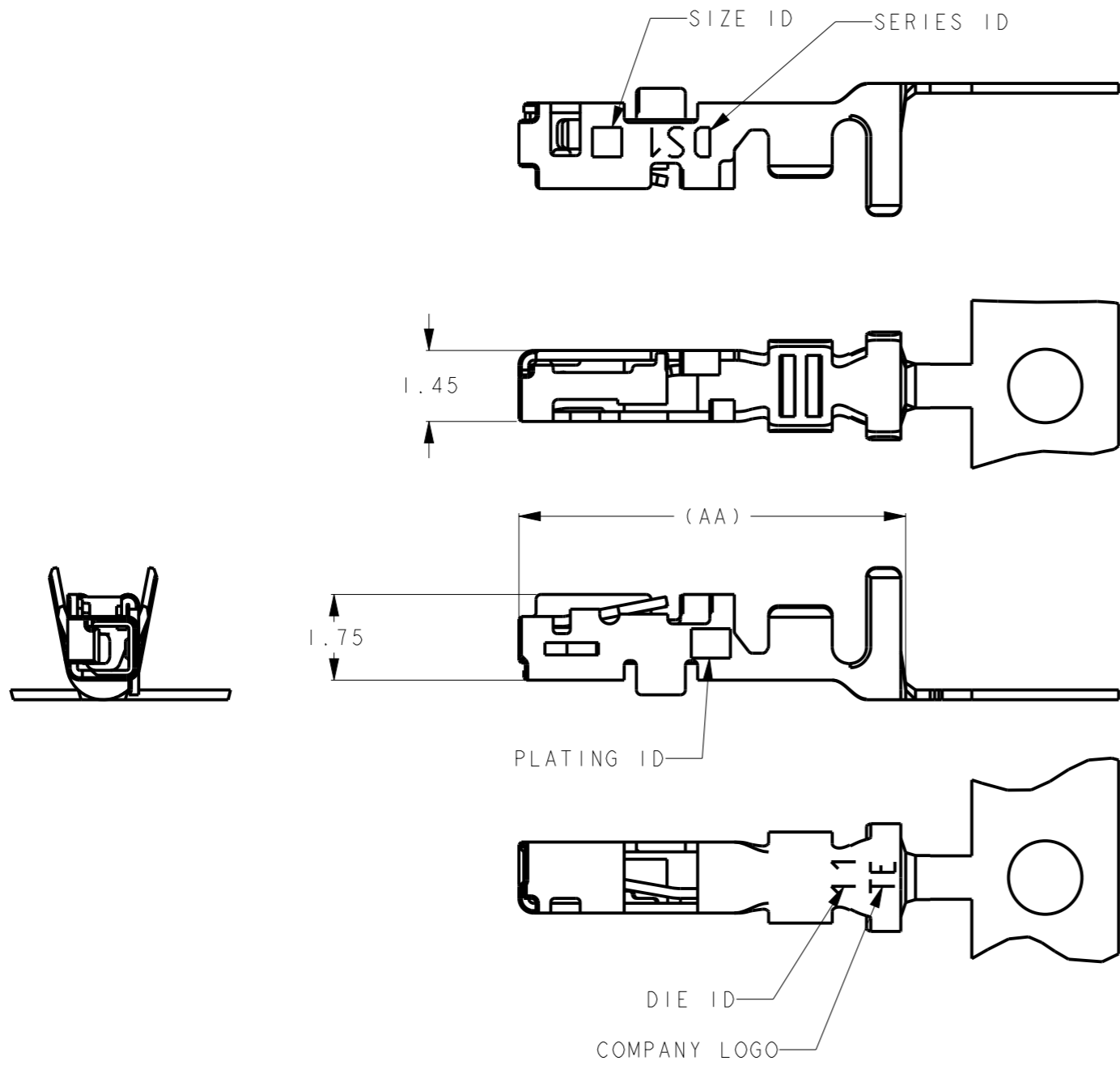
© COPYRIGHT 20 BY -

ALL RIGHTS RESERVED.

REVISIONS

P	LTR	DESCRIPTION	DATE	DWN	APVD
	A	RELEASED	23MAR2021	Y.O	E.I

1. TECHNICAL CHARACTERISTICS:
 CONTACT MATERIAL: Cu ALLOY
 SURFACE PLATING:
 GOLD PLATING: 0.2µmMIN



7.9	0.1g	M	I	1.08-1.6	AWG28-22, 0.08-0.37SQmm	M SIZE, GOLD 0.2µm	2367817-2
7.9	0.1g	S	I	0.6-1.2	AWG30-28, 0.05-0.1SQmm	S SIZE, GOLD 0.2µm	2367817-1
DIMENSION AA	NET WEIGHT	SIZE ID	PLATING ID	INSUL. RANGE	WIRE RANGE	DESCRIPTION	PART NO

THIS DRAWING IS A CONTROLLED DOCUMENT.

DIMENSIONS:		TOLERANCES UNLESS OTHERWISE SPECIFIED:	
mm			
		0 PLC	±0
		1 PLC	±0.5
		2 PLC	±0.5
		3 PLC	±0.5
		4 PLC	±0.5
MATERIAL		FINISH	
-		-	

DWN	Y. OKADA	13APR2020
CHK	T. SHIMOYASU	13APR2020
APVD	F. IKEMATSU	13APR2020
PRODUCT SPEC	108-140257	
APPLICATION SPEC	114-5377	
WEIGHT	-	
CUSTOMER DRAWING		

STE TE Connectivity

NAME: REC CONTACT, D1000 SLIM, DYNAMIC

SIZE	CAGE CODE	DRAWING NO	RESTRICTED TO
A3	-	©-2367817	-

SCALE: 8:1 SHEET 1 OF 1 REV A

单击下面可查看定价，库存，交付和生命周期等信息

[>>TE Connectivity\(泰科\)](#)