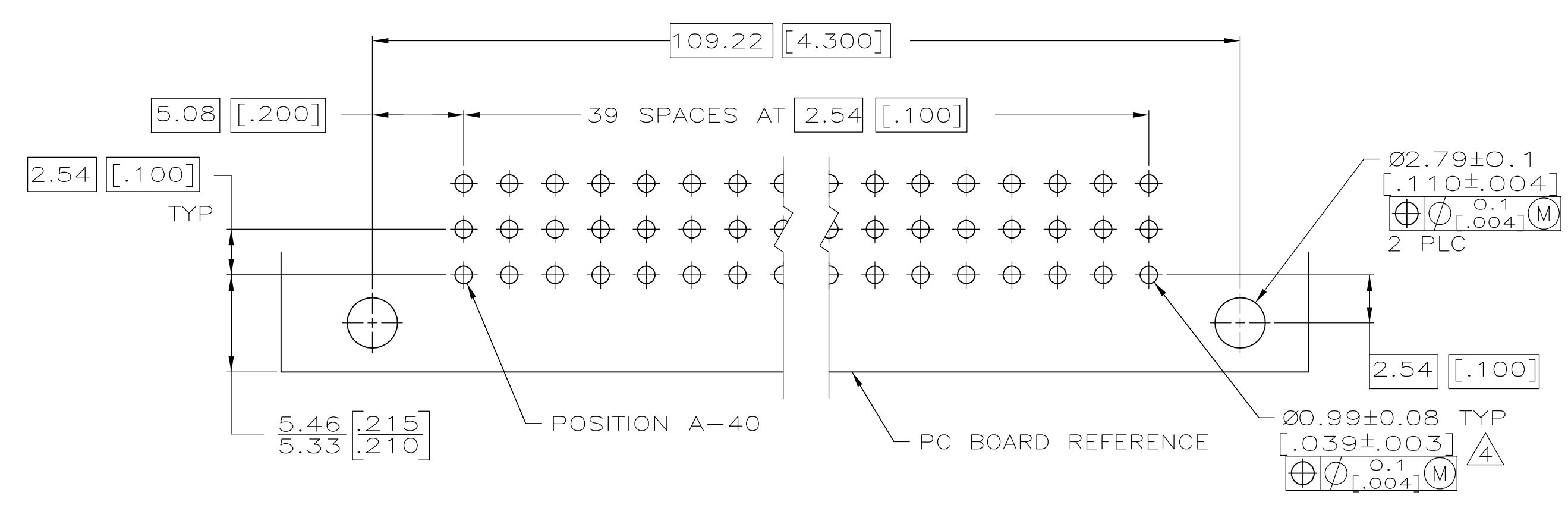
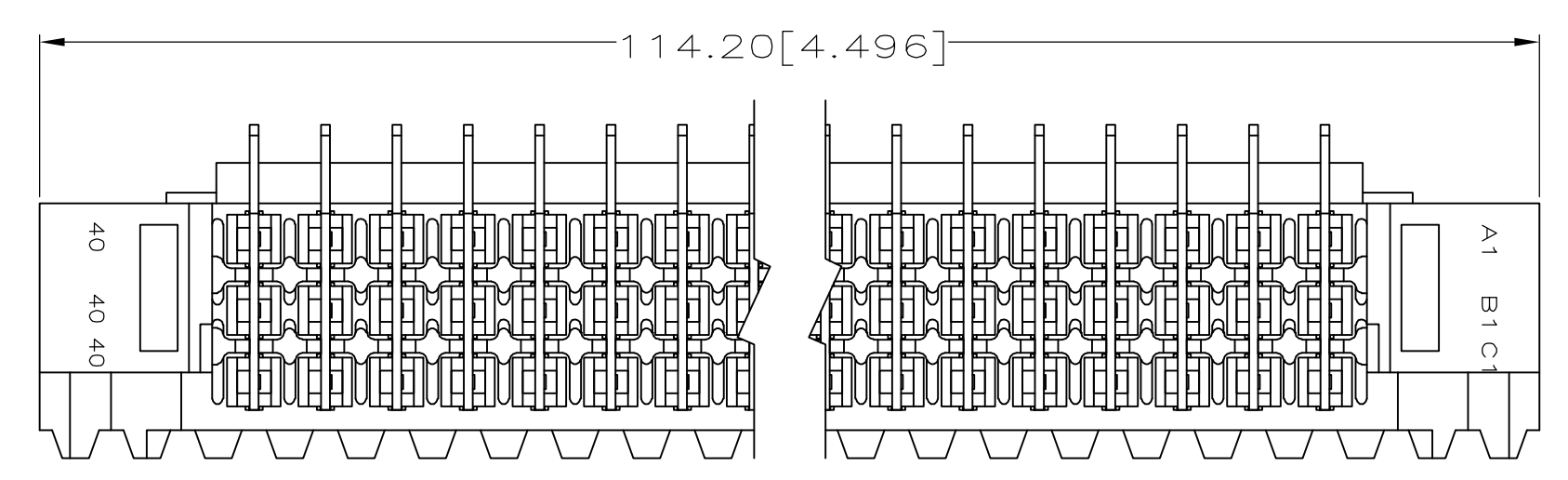
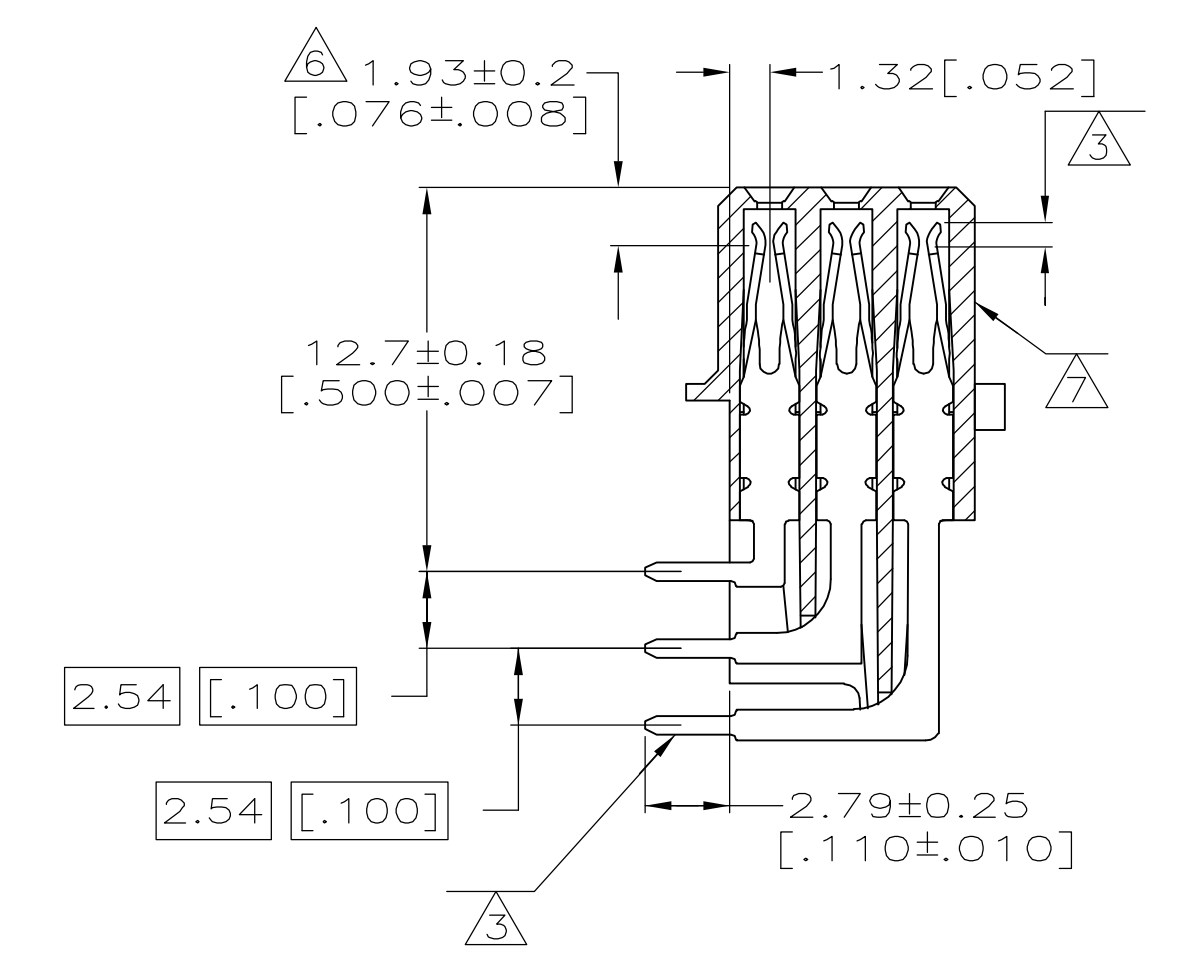
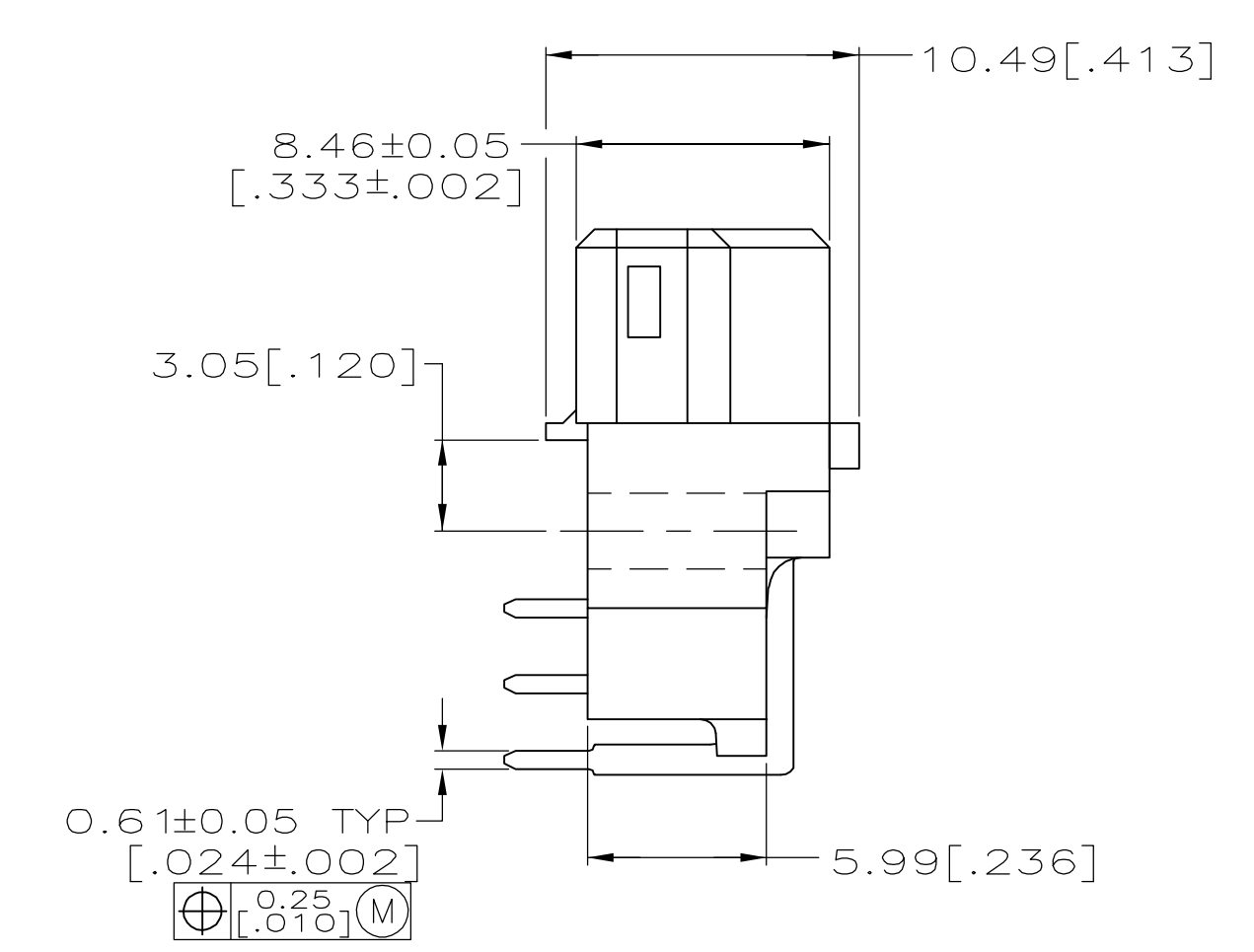
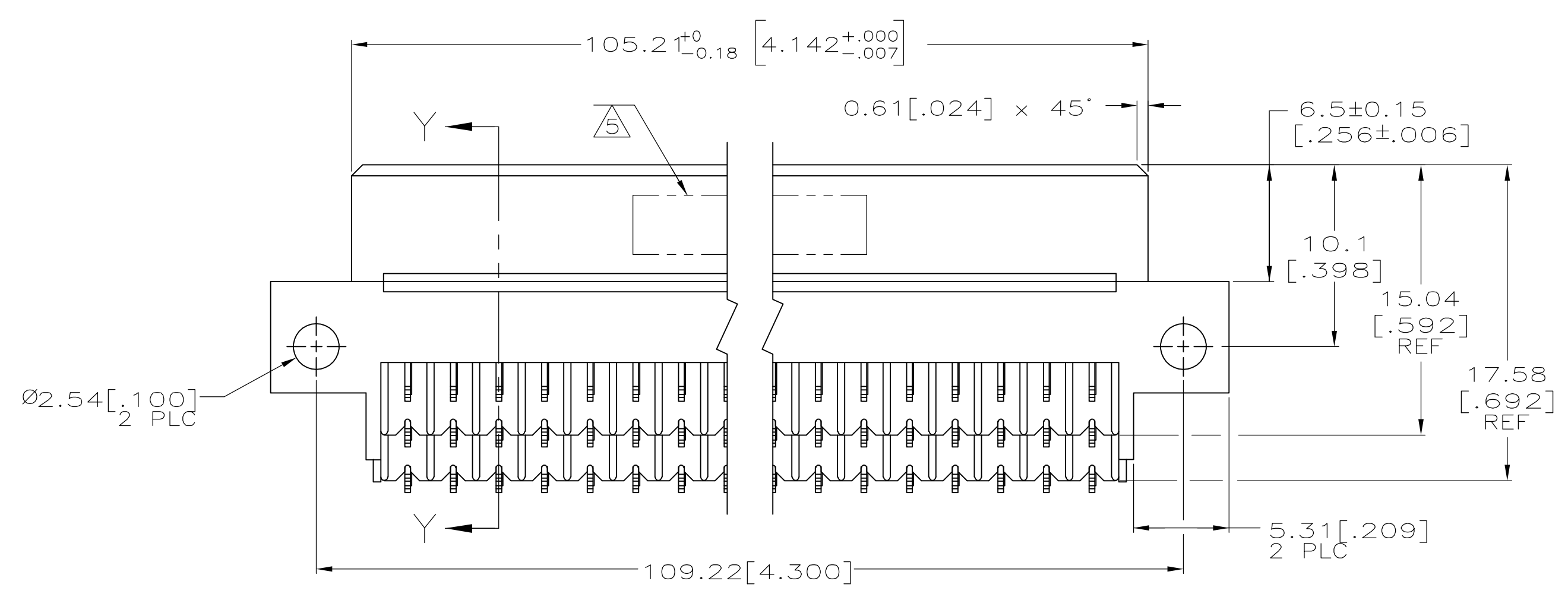
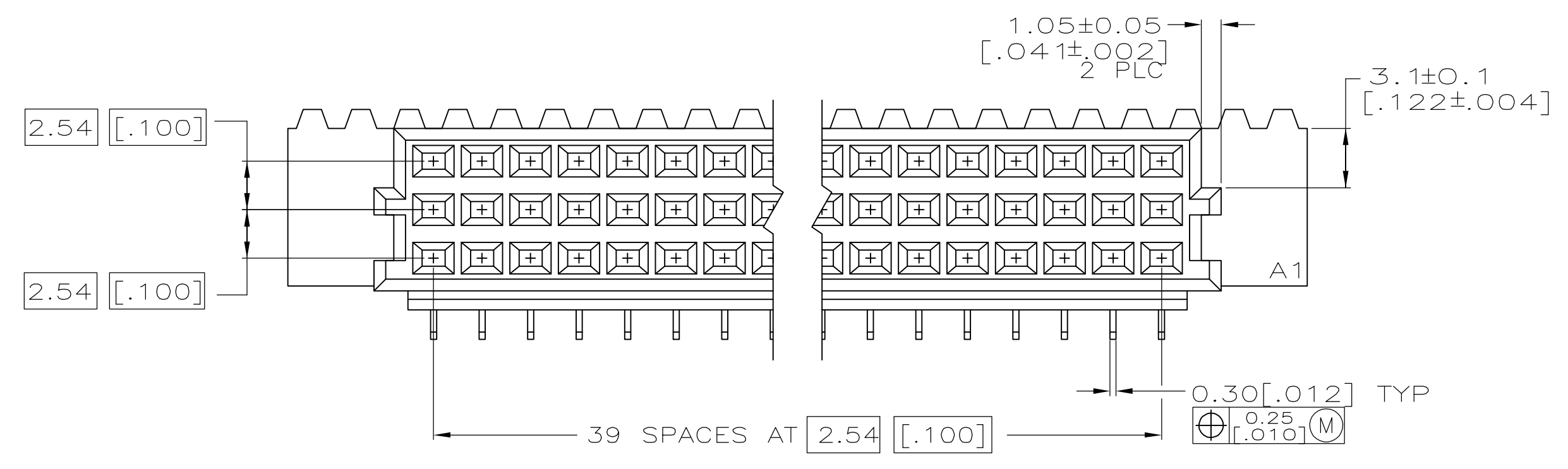


- 1 HOUSING MATERIAL: GLASS-FILLED POLYMER.
- 2 CONTACT MATERIAL: COPPER ALLOY.
- 3 CONTACT FINISH: DIN 41612 CLASS 2 IN CONTACT AREA. TIN PLATE ON POSTS.
- 4 RECOMMENDED HOLE SIZE FOR MANUAL APPLICATION OF CONNECTOR ONTO PC BOARD.
- 5 PART NUMBER, DATE CODE IDENTIFICATION, CSA LOGO, THIS APPROXIMATE AREA.
- 6 CONTACT POINT.
- 7 MARKING ON THIS SIDE.



1 THRU 40	X	X	X	120	5650874-5
1 THRU 40	X	X	X	120	5650874-4
FINISH	POSITIONS LOADED	C	B	A	NO. OF LOADED POSITION
		ROWS LOADED			ASSY PART NUMBER

THIS DRAWING IS A CONTROLLED DOCUMENT.		DIN J. POLIGNONE 03JUN05	Tyco Electronics Corporation	
DIMENSIONS: mm [INCHES]		CHK A. SHARPE 03JUN05	Harrisburg, PA 17105-3608	
TOLERANCES UNLESS OTHERWISE SPECIFIED:		APVD A. SHARPE 03JUN05	NAME	
0 PLC ± -		ASSEMBLY, RECEPTACLE, EUROCARD, TYPE R, 120 POSITION, 2.79[.110] SOLDER POSTS		
1 PLC ± -		APPLICATION SPEC		
2 PLC ± 0.13[.005]		SIZE	CAGE CODE	DRAWING NO
3 PLC ± -		A1	00779	5650874
4 PLC ± -		WEIGHT		RESTRICTED TO
ANGLES ± -				
MATERIAL	FINISH	CUSTOMER DRAWING		
		SCALE	4:1	SHEET 1 OF 1

单击下面可查看定价，库存，交付和生命周期等信息

[>>TE Connectivity\(泰科\)](#)