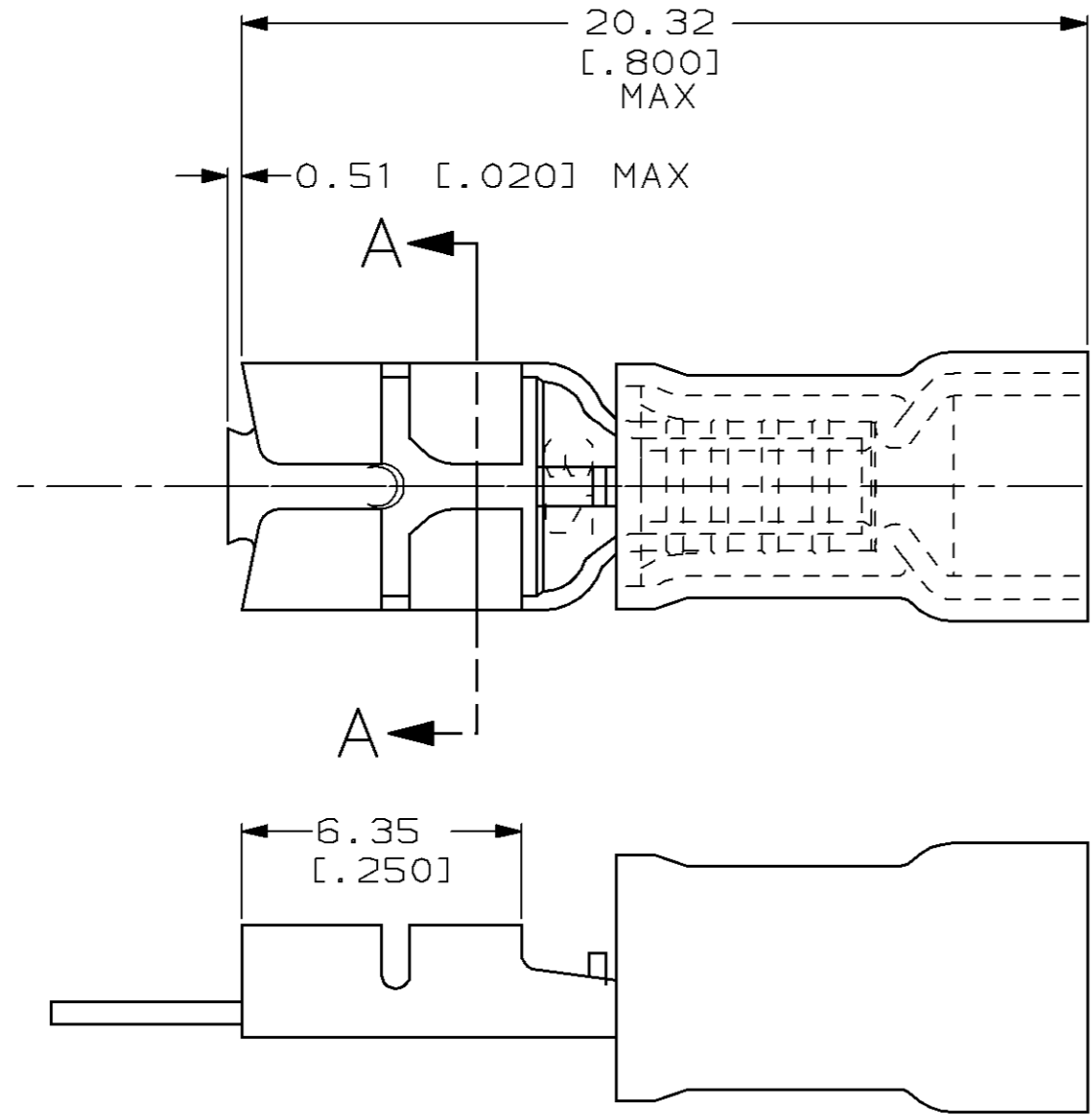
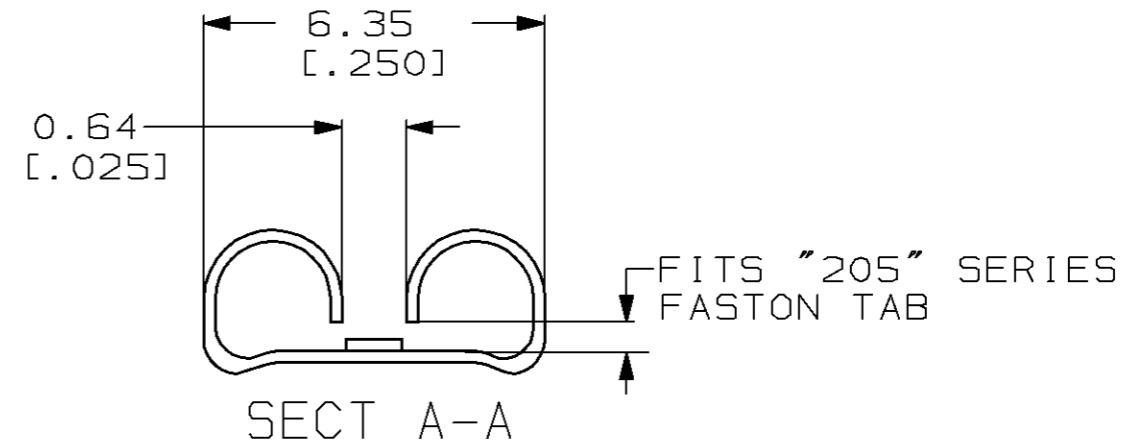


THIS DRAWING IS UNPUBLISHED. RELEASED FOR PUBLICATION, 19 .
 © COPYRIGHT 19 BY AMP INCORPORATED. ALL RIGHTS RESERVED.

LOC	DIST	REVISIONS					
		P	LTR	DESCRIPTION	DATE	DWN	APVD
G	14		0	REL. PER 97-1164-001 & 97-3096-001	11AUG97	ME	BB



1 INSULATION DIA 3.43 [.135] MAX
 2 FITS TAB 0.51 [.020] THK



4000	TAPE MOUNTED	696018-2
1000	LOOSE PIECE	696018-1
QTY	PACKAGE TYPE	PART NUMBER

AMP INCORPORATED
 CUSTOMER SERVICE SYSTEM

FOR ADDITIONAL PRODUCT INFORMATION OR COPIES OF DRAWINGS AND TECHNICAL DOCUMENTS
 PRODUCT INFORMATION CENTER
 1-800-522-6752

FOR APPLICATION TOOLING INFORMATION
 TOOLING ASSISTANCE CENTER
 1-800-722-1111

FOR ORDER ENTRY
 1-800-526-5142

MAX RECOMMENDED OPERATING TEMPERATURE:
 -

VOLTAGE RATING:
 -

CIRCULAR MIL AREA:
 - - - -

THIS DRAWING IS A CONTROLLED DOCUMENT.

DIMENSIONS: mm

TOLERANCES UNLESS OTHERWISE SPECIFIED:
 0 PLC ±-
 1 PLC ±-
 2 PLC ±0.38 [.015]
 3 PLC ±-
 4 PLC ±-
 ANGLES ±-

MATERIAL
 BODY, BRASS, .016
 SLEEVE, NYLON, RED

FINISH
 BODY, TIN

DWN M ELLIS 11AUG97
 CHK B BARE 11AUG97
 APVD C FOX 11AUG97
 PRODUCT SPEC
 APPLICATION SPEC
 WEIGHT -
 CUSTOMER DRAWING

AMP AMP Incorporated
 Harrisburg, PA 17105-3608

NAME
 RECEPTACLE, 205 SERIES,
 FASTON™ PIDG™
 WIRE SIZE, 22-18 AWG

SIZE A3 CAGE CODE 00779 DRAWING NO C-696018 RESTRICTED TO -
 SCALE 6:1 SHEET 1 OF 1 REV 0

单击下面可查看定价，库存，交付和生命周期等信息

[>>TE Connectivity\(泰科\)](#)