

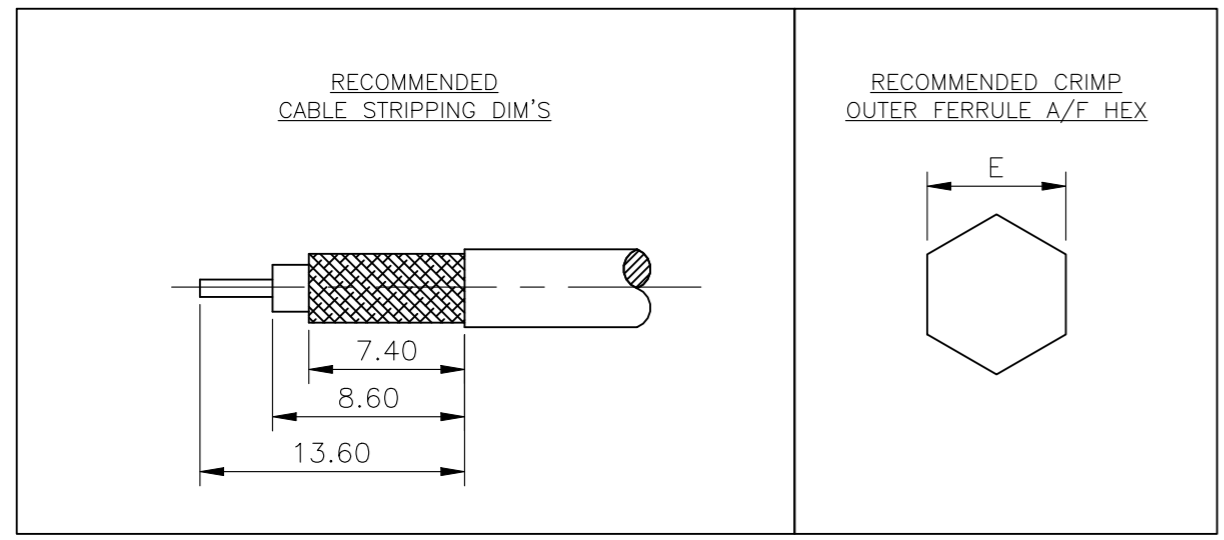
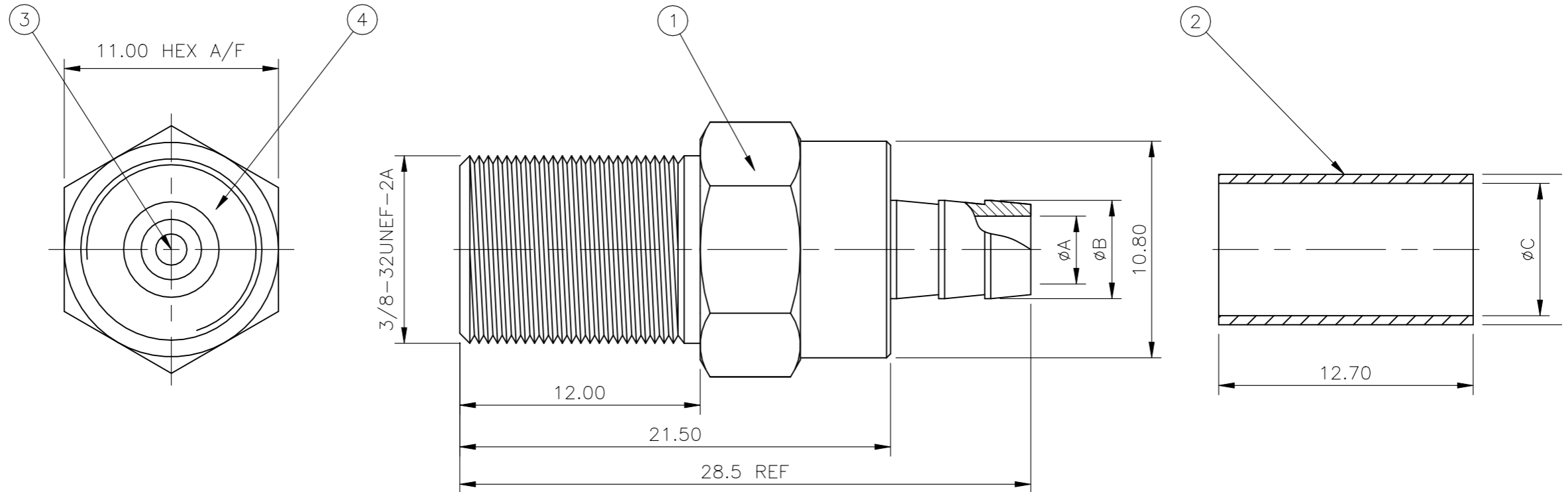
REVISIONS

P	LTR	DESCRIPTION	DATE	DWN	APVD
	C1	REVISED PER ECN-21-123302	25OCT2021	RZ	WK

NOTES

- 1 SINGLE PACK IN ACCORDANCE WITH AMP SPEC 107-3275
- 2 100 TRAY PACK IN ACCORDANCE WITH AMP SPEC 107-3275
- 3 Ni PLATING
- 4 TIN PLATING
- 5. FOR TECHNICAL DATA REFER TO YOUR LOCAL TE CONNECTIVITY SALES OFFICE
- 6. ALL DIMENSIONS ARE NOMINAL FOR REFERENCE ONLY UNLESS OTHERWISE STATED

		E	D	C	B	A			
	9-1478243-0	8.30	9.30	8.30	7.00	5.70	CT125		5-1814826-7
OBSOLETE	9-1478243-0	8.30	9.30	8.30	7.00	5.70	CT125		5-1814826-6
	9-1478242-0	6.50	7.50	6.70	5.60	4.60	CT100		5-1814826-5
	9-1478242-0	6.50	7.50	6.70	5.60	4.60	CT100		5-1814826-4
OBSOLETE	9-1478243-0	8.60	9.60	8.70	6.80	4.85	RG6/U		5-1814826-3
	9-1478243-0	8.60	9.60	8.70	6.80	4.85	RG6/U		5-1814826-2
OBSOLETE	9-1478242-0	6.50	7.50	6.80	4.90	3.90	RG59B/U, 62A/U, 140/U, 210/U, URM90, Belden 9291, 9291, KX6A, KX25, KX52, KX53		5-1814826-1
	9-1478242-0	6.50	7.50	6.60	4.90	3.90	RG59B/U, 62A/U, 140/U, 210/U, URM90, Belden 9291, 9291, KX6A, KX25, KX52, KX53		5-1814826-0
	DIE SET						CABLE GROUPS		PART NO.
DIMENSIONS									



	OBSOLETE	OBSOLETE	OBSOLETE								
1	1	1	1	1	1	1	1	1	POLYPROPYLENE	INSULATOR	4
1	1	1	1	1	1	1	1	1	BRASS	CONTACT	3
1	1	1	1	1	1	1	1	1	ZINC ALLOY	FERRULE	2
1	1	1	1	1	1	1	1	1	BRASS	BODY	1
5	75	65	55	45	35	25	15	0	MATERIAL	DESCRIPTION	ITEM
QUANTITY PER ASSY											
PARTS LIST											

THIS DRAWING IS A CONTROLLED DOCUMENT.

DIMENSIONS:	TOLERANCES UNLESS OTHERWISE SPECIFIED:	DWN	ANSON MA	14FEB09	STE TE Connectivity
mm		CHK	RITA ZUO	14FEB09	
		APVD	BOB ZHAO	14FEB09	
		PRODUCT SPEC	NAME		
			108-112000		F TYPE BLK JK R/M
			APPLICATION SPEC		
MATERIAL	FINISH	WEIGHT	0.000000	A300779	C-1814826
SEE TABLE	-	CUSTOMER DRAWING	SCALE	NTS	SHEET 1 OF 1

单击下面可查看定价，库存，交付和生命周期等信息

[>>TE Connectivity\(泰科\)](#)