

4

3

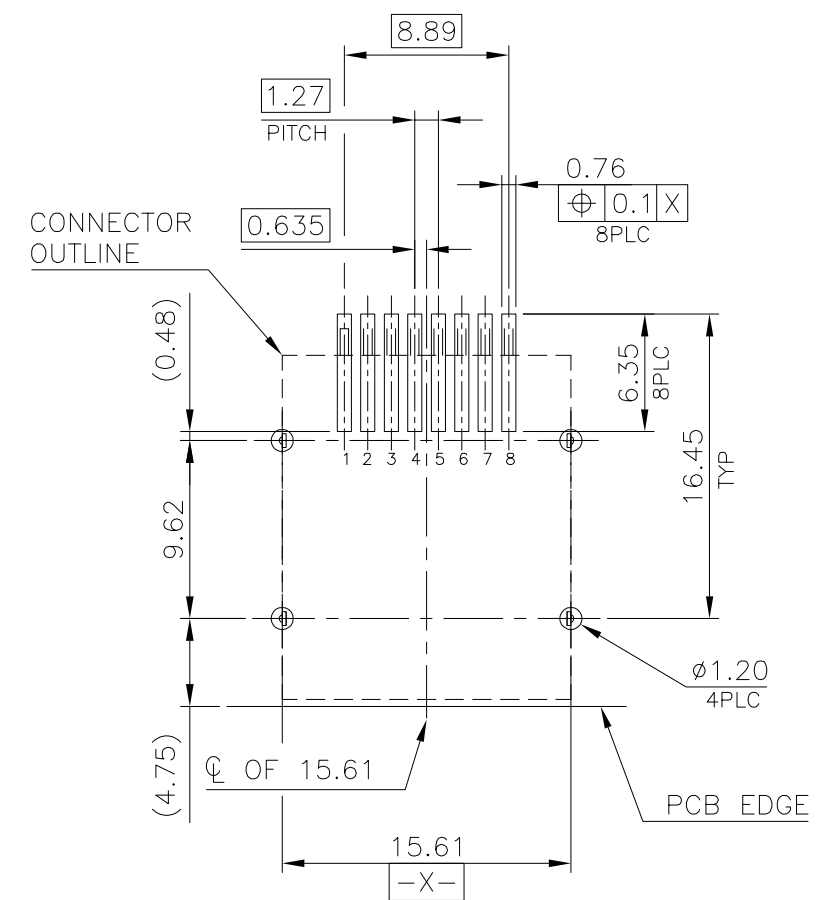
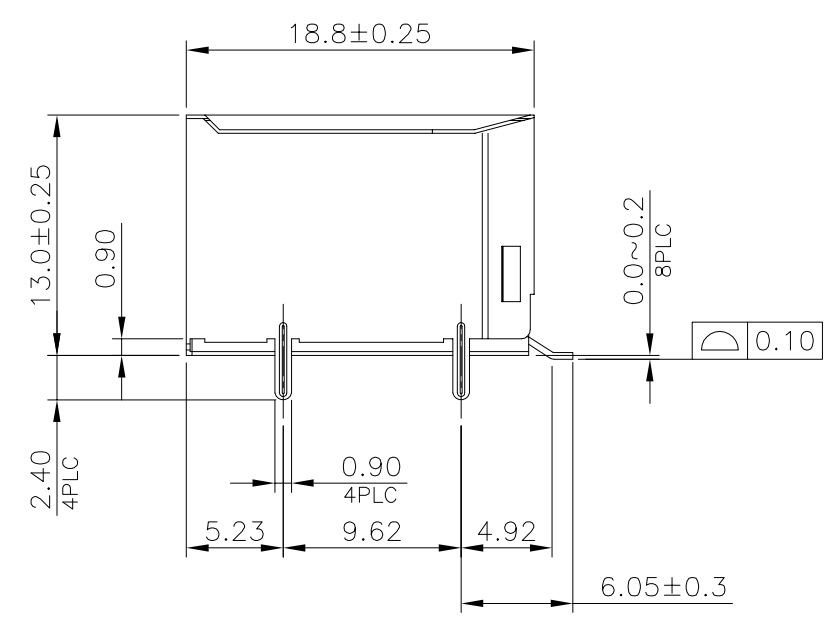
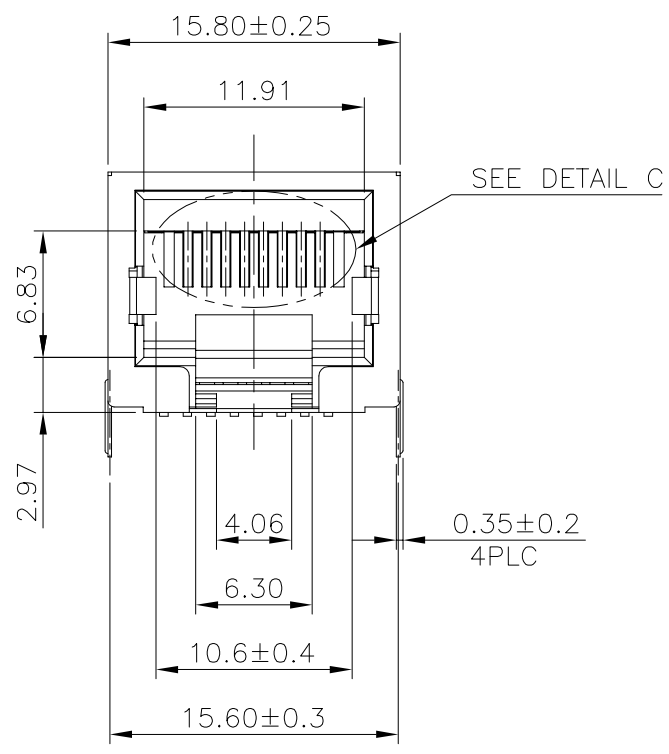
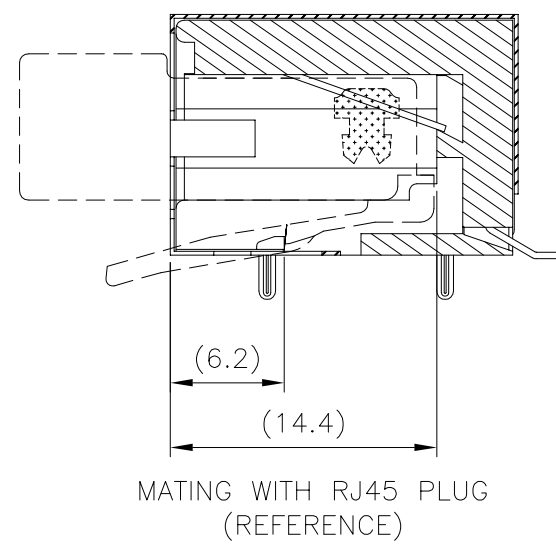
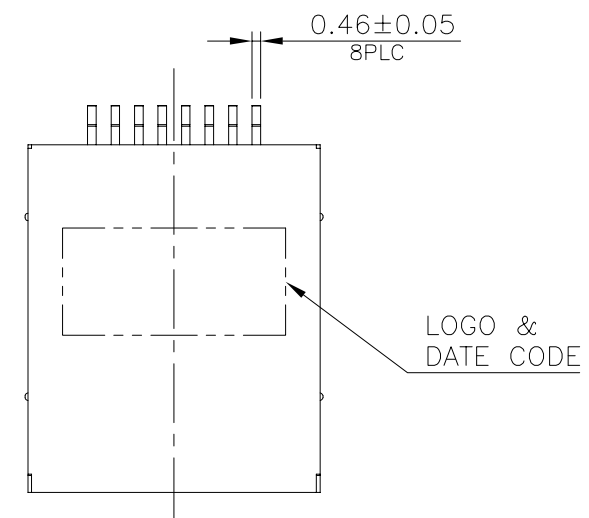
2

1

THIS DRAWING IS UNPUBLISHED. RELEASED FOR PUBLICATION
 © COPYRIGHT 2011 By TE Connectivity ALL RIGHTS RESERVED.

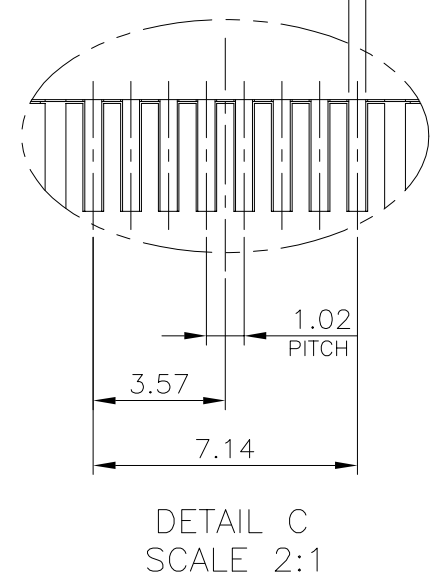
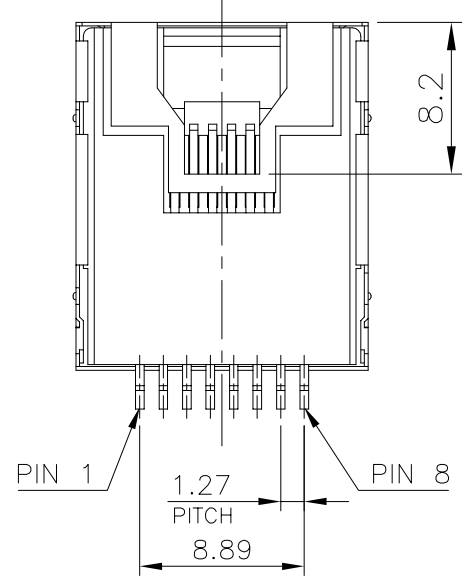
| LOC | DIST | REVISIONS | | | |
|-----|------|---------------|----------|-----|------|
| P | LTR | DESCRIPTION | DATE | DWN | APVD |
| DW | / | ECO-15-012684 | 08SEP'15 | LL | SH |

NOTE:
 1. MATERIAL:
 HOUSING: PA9T WITH 30% GF, UL94 V-0, BLACK COLOR.
 INSERT HOUSING: PA46 WITH 30% GF, UL94 V-0, BLACK COLOR.
 CONTACTS: PHOSPHOR BRONZE.
 SHELL: BRASS.
 2. FINISH:
 CONTACTS: 0.762um [30u"] MIN. GOLD PLATED ON CONTACT AREA,
 GOLD FLASH ON SOLDER TAIL,
 1.27um [50u"] MIN. NICKEL UNDERPLATED OVERALL.
 SHELL: 0.508um [20u"] MIN. NICKEL PLATED OVERALL.
 3. REFLOW SOLDER CAPABLE TO 260°C PER TE SPEC 109-201, CONDITION B.



RECOMMENDED PCB LAYOUT (TOP VIEW)
 TOLERANCE: ±0.05
 PCB THICKNESS: 1.6mm

2170136-1
 PART NUMBER



| | | | | | |
|---|--|-------------------------------|--|--------------------|-------------------------|
| THIS DRAWING IS A CONTROLLED DOCUMENT. | | DWN W. CHEN 16AUG2011 | | | |
| DIMENSIONS: mm | | CHK D. ZHU 16AUG2011 | | | |
| TOLERANCES UNLESS OTHERWISE SPECIFIED: | | APVD MQ. WANG 16AUG2011 | NAME | | |
| 0 PLC ± - 1 PLC ± 0.3 2 PLC ± 0.2 3 PLC ± 0.15 4 PLC ± - ANGLES ± 3° | | PRODUCT SPEC 108-57866 | MODULAR JACK CONNECTOR RJ45, TAB DOWN, SIDE ENTRY SMT TYPE, H=13.0mm | | |
| MATERIAL SEE NOTE | | FINISH SEE NOTE | APPLICATION SPEC | RESTRICTED TO | |
| CUSTOMER DRAWING | | WEIGHT | SIZE A3 | CAGE CODE 00779 | DRAWING NO C=2170136 |
| | | SCALE | SHEET | 1 OF 2 | REV B |

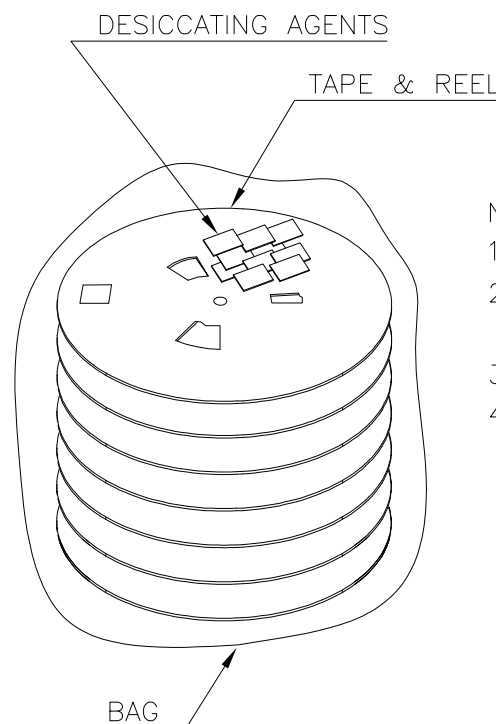
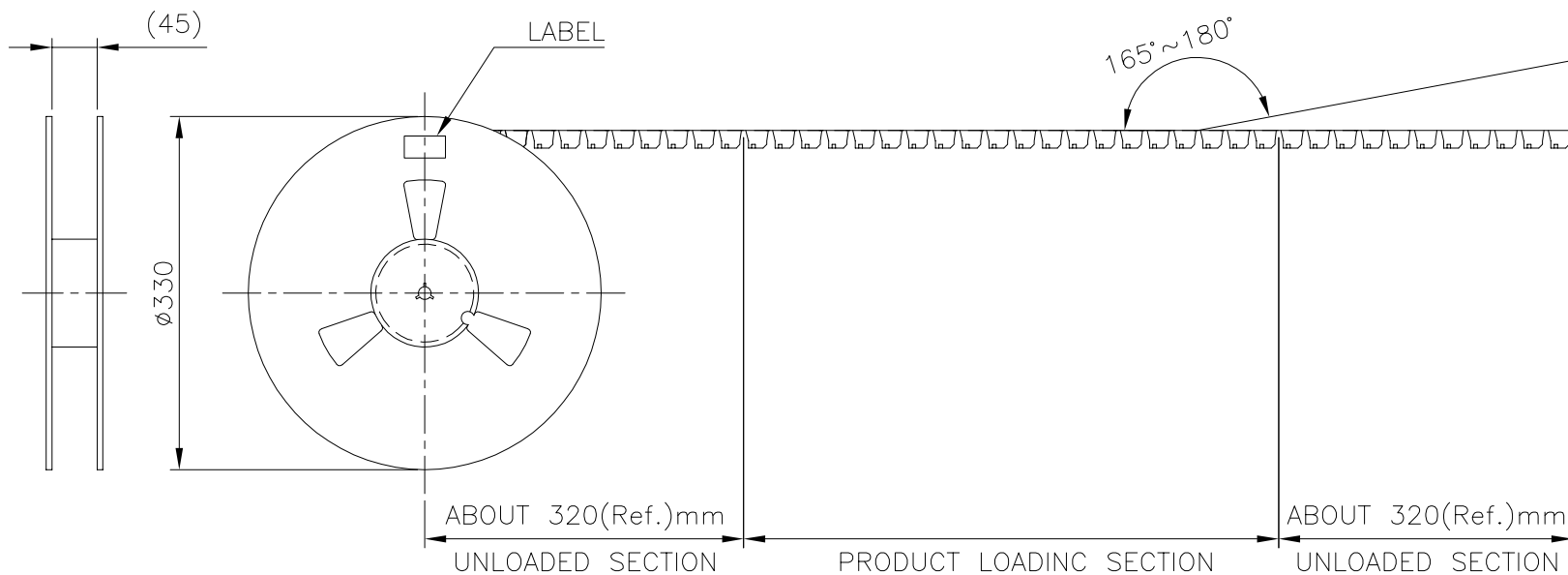
THIS DRAWING IS UNPUBLISHED.

RELEASED FOR PUBLICATION

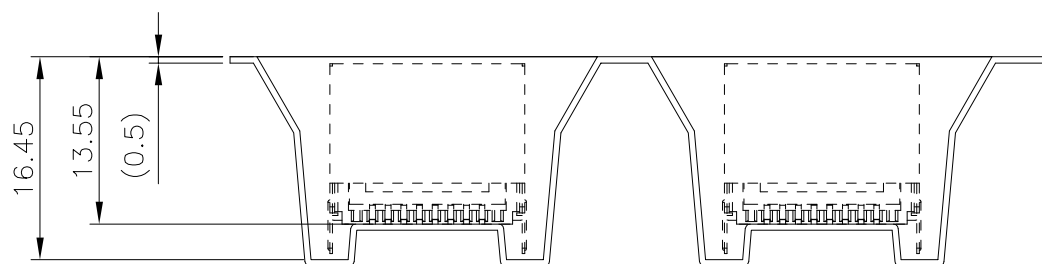
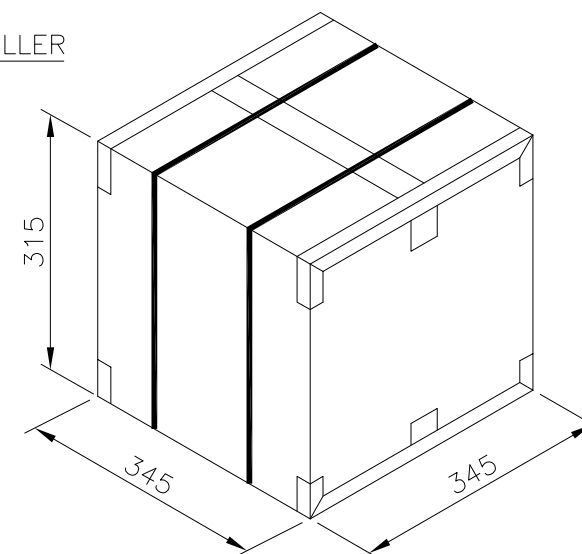
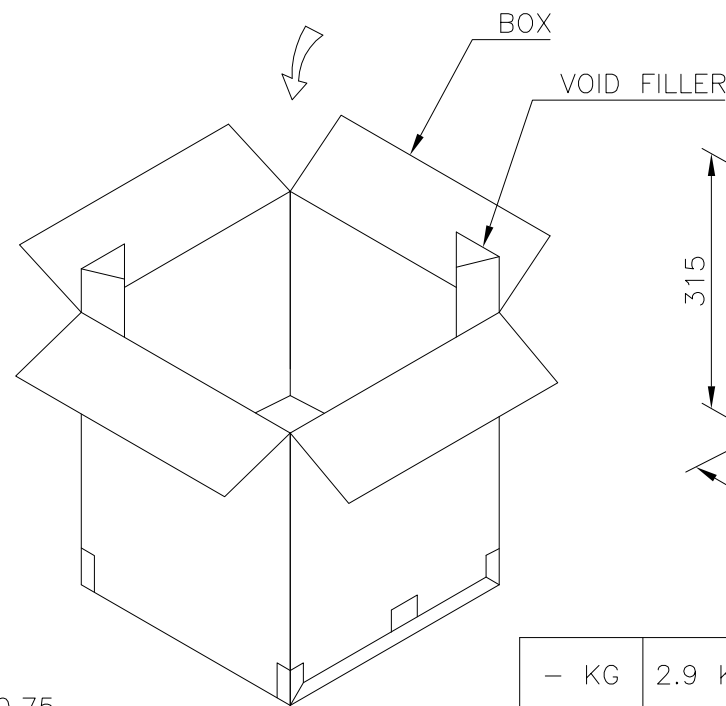
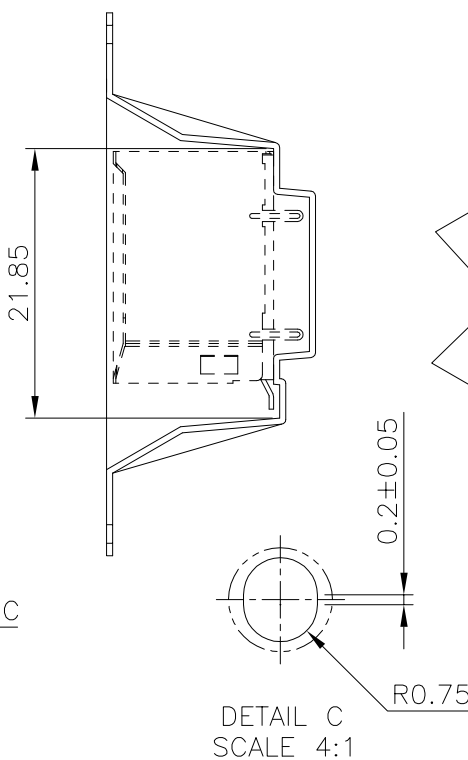
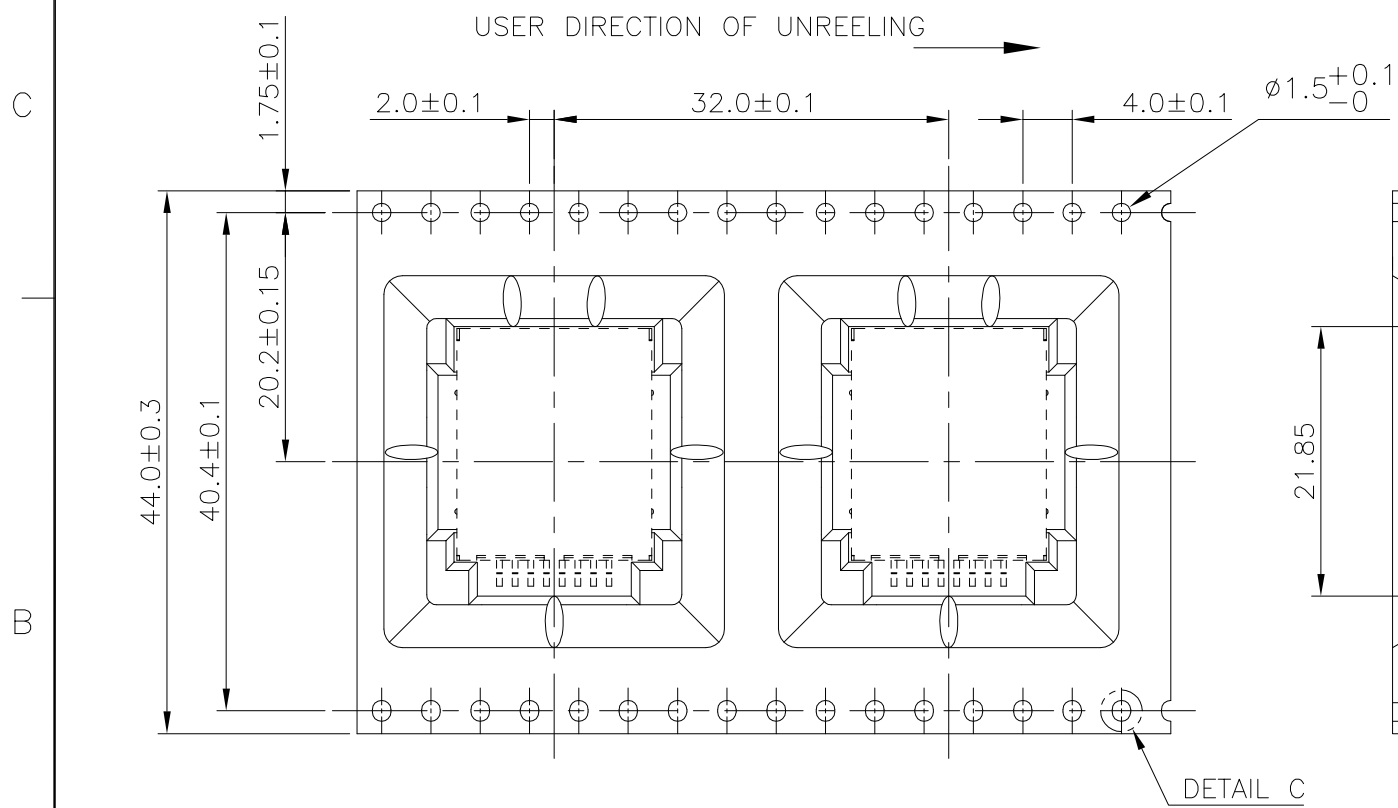
© COPYRIGHT 2011 By TE Connectivity

ALL RIGHTS RESERVED.

| LOC | DIST | REVISIONS | | | |
|-----|------|--------------|------|-----|------|
| P | LTR | DESCRIPTION | DATE | DWN | APVD |
| DW | | SEE SHEET 1. | | | |



- NOTE:
1. EACH BAG SHALL BE INCLUDED: *DESICCANT
 2. PEELING STRENGTH: 0.1~1.3N(1~130 GRAMS) FOR 12~56mm WIDE CARRIER TAPES
 3. PEELING SPEED: 300mm/MINUTES.
 4. PACKAGING MATERIAL:
 - 4.1 COVER TAPE: COMPOSITE OF POLYETHYLENE TEREPHTHALATE (PET)
 - 4.2 CARRIER: POLYSTYRENE (PS)
 - 4.3 CARRIER REEL: POLYSTYRENE



THIS DRAWING IS A CONTROLLED DOCUMENT.

| DIMENSIONS: | TOLERANCES UNLESS OTHERWISE SPECIFIED: |
|-------------|--|
| mm | |
| 0 PLC | ± - |
| 1 PLC | ± 0.3 |
| 2 PLC | ± 0.2 |
| 3 PLC | ± 0.15 |
| 4 PLC | ± - |
| ANGLES | ± 3' |

MATERIAL: _____
 FINISH: _____

| | |
|------------------|-------|
| DWN | _____ |
| CHK | _____ |
| APVD | _____ |
| PRODUCT SPEC | _____ |
| APPLICATION SPEC | _____ |
| WEIGHT | _____ |
| CUSTOMER DRAWING | _____ |

| | | | | | |
|--------------|------------|-----------|-----------|----------|-------------|
| - KG | 2.9 KG | 110 | 6 | 660 | 2170136-1 |
| GROSS WEIGHT | NET WEIGHT | PCS/ REEL | REEL/ BOX | PCS/ BOX | PART NUMBER |

TE TE Connectivity

NAME: _____

MODULAR JACK CONNECTOR
 RJ45, TAB DOWN, SIDE ENTRY
 SMT TYPE, H=13.0mm

| | | | |
|-------|-----------|------------|---------------|
| SIZE | CAGE CODE | DRAWING NO | RESTRICTED TO |
| A3 | 00779 | C=2170136 | _____ |
| SCALE | | SHEET | REV |
| - | | 2 OF 2 | B |

单击下面可查看定价，库存，交付和生命周期等信息

[>>TE Connectivity\(泰科\)](#)