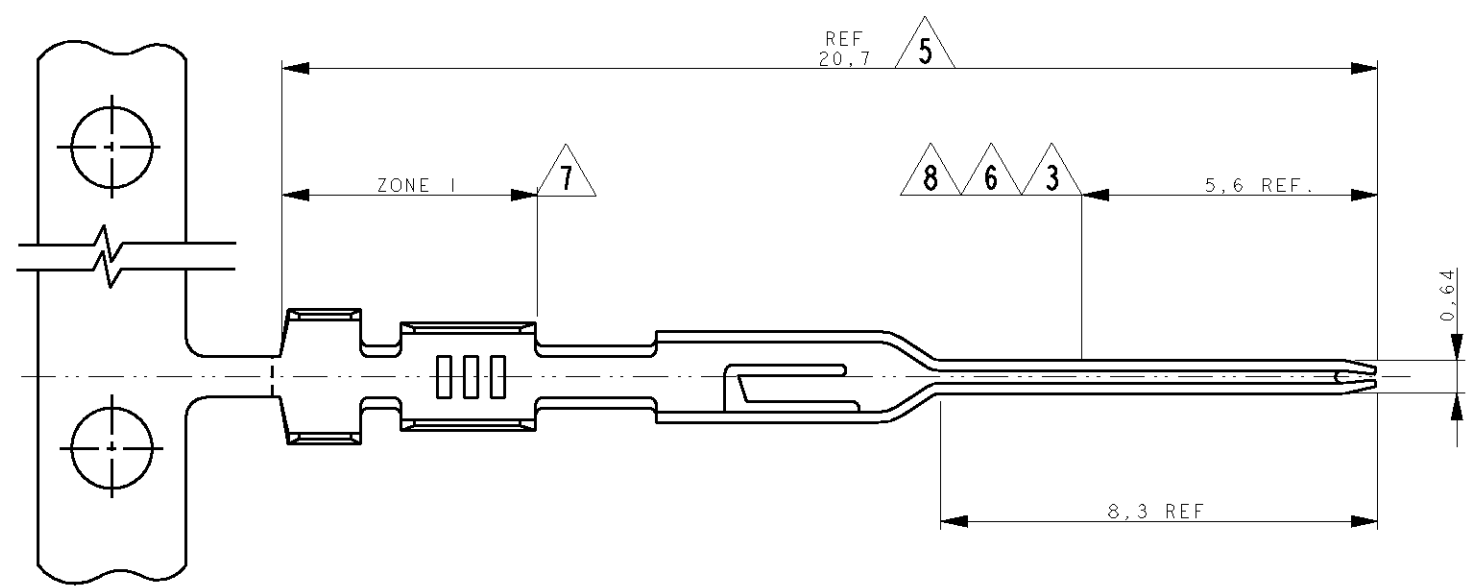


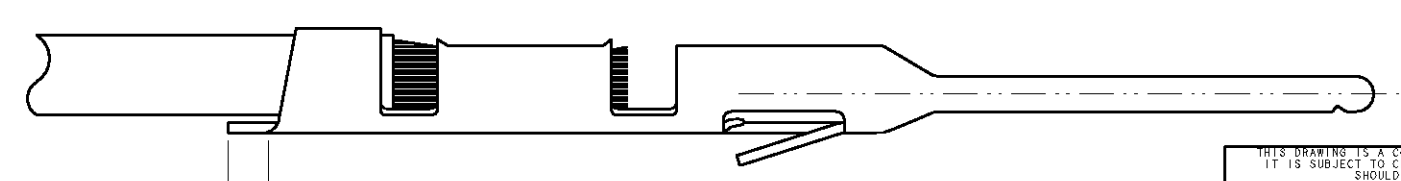
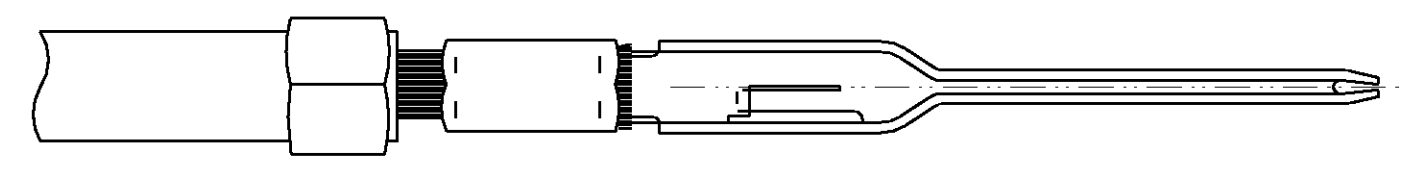
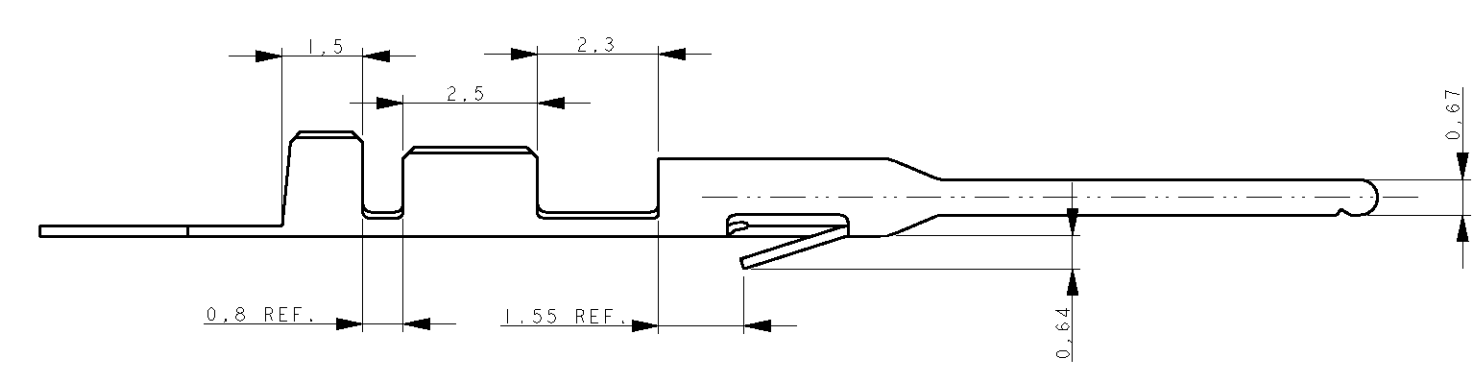
THIS DRAWING IS UNPUBLISHED. RELEASED FOR PUBLICATION
 © COPYRIGHT - BY TYCO ELECTRONICS CORPORATION, ALL RIGHTS RESERVED.

LOC	DIST	REVISIONS			
P	LTR	DESCRIPTION	DATE	DWN	APVD
H	-	EI	28FEB06	RvH	MvD



NOTES:

- 1 USE HANDTOOL 90340-1 FOR CRIMPING LOOSE PIECE CONTACTS.
- 2 FOR MINI APPLICATOR CRIMPING.
- 3 PARTS TO BE PLATED AS FOLLOWS: 166678-1
 -UNDERCOATING: 0,8µm NICKEL
 -SELECTIVE (OVER 5,6 LENGTH): 0,8µm MIN.GOLD
 -REMAINDER: NICKEL ONLY.
- 4 MATERIAL: PHOSPHOR BRONZE.
- 5 PLATING 166678-2: 2µm MIN.Sn OVER TOTAL LENGTH
- 6 PLATING 166678-3: UNDERCOATING 0,8µm MIN. NICKEL
 SELECTIVE OVER 5,6 LENGTH: 1,25µm MIN. GOLD
 REMAINDER: NICKEL ONLY
- 7 ZONE 1: BRIGHT TIN PLATED
 TIN/LEAD PLATING PERMITTED ON CARRIERSTRIP.(1µm THICK)
- 8 PLATING 166678-4: UNDERCOATING 0,8µm MIN. NICKEL
 SELECTIVE OVER 5,6 LENGTH: 0,4µm MIN. GOLD
 REMAINDER: NICKEL ONLY
- 9 ADVANCED PROD. NRS. FOR DIN 41612 PART 5 SPEC.



PLATING	LOOSE PIECE PART NO.	PART NUMBER
7 8	166679-4	166678-4 9
6 7	166679-3	166678-3
5	166679-2	166678-2
3 7	166679-1	166678-1

WIRE RANGE 0,12-0,35MM ²	INSUL. RANGE 1,55 MAX.
--	---------------------------

DIMENSIONS: mm		TOLERANCES UNLESS OTHERWISE SPECIFIED:	
0 PLC	±	1 PLC	±
2 PLC	±	3 PLC	±
4 PLC	±	ANGLES	±
MATERIAL	-	FINISH	-

DWN	S.ELOISE	13NOV 95
CHK	Rvd IECK	04MAR 96
APVD	MvDRIFI	28FEB06
PRODUCT SPEC	-	-
APPLICATION SPEC	-	-
WEIGHT	-	-

tyco Electronics		TYCO ELECTRONICS NEDERLAND B.V. 's-HERTOGENBOSCH, THE NETHERLANDS	
NAME CONTACT, MOD IV, PIN FOR 22-26 AWG (STRIP)			
SIZE	CAGE CODE	DRAWING NO	RESTRICTED TO
A3	00779	C-166678	-
CUSTOMER DRAWING		SCALE	SHEET 1 OF 1 REV E1

单击下面可查看定价，库存，交付和生命周期等信息

[>>TE Connectivity\(泰科\)](#)