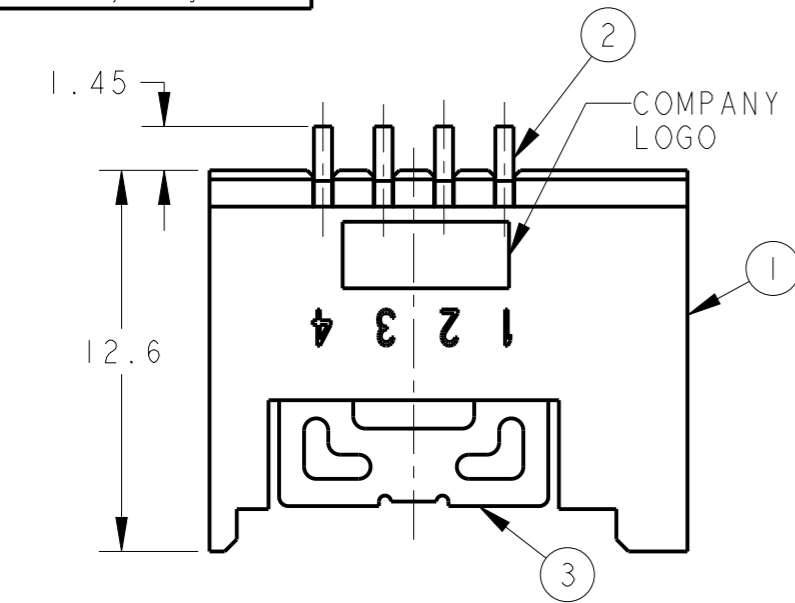
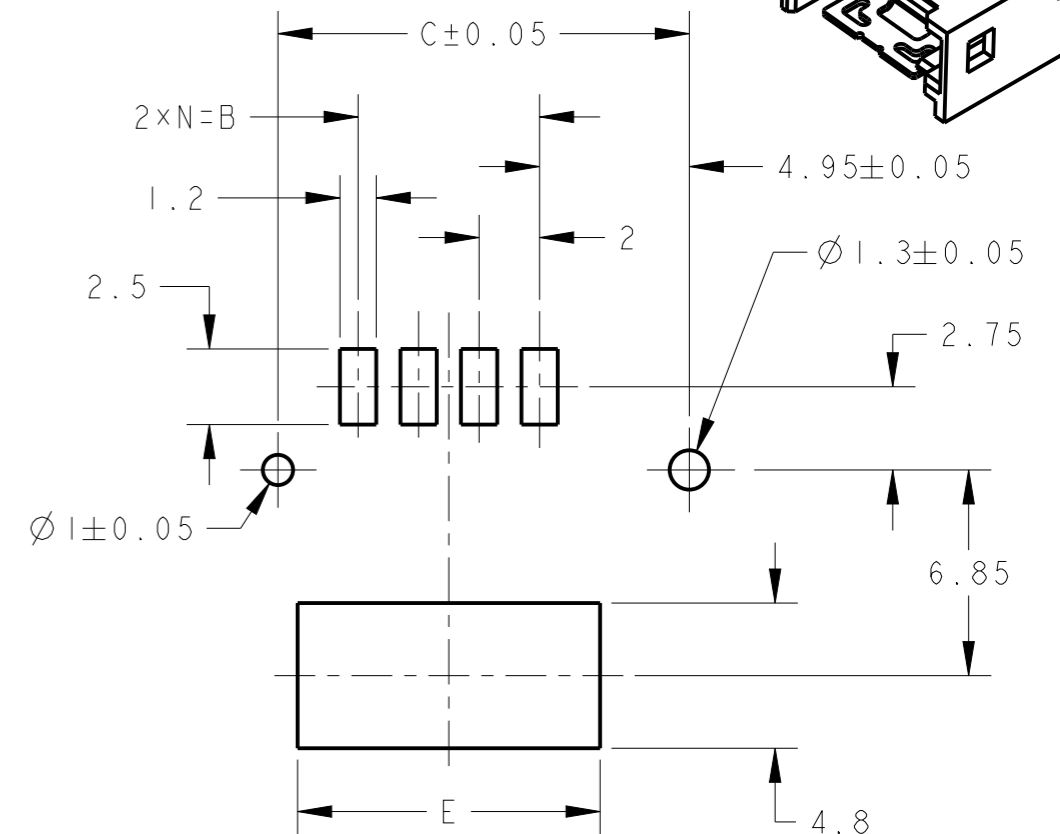
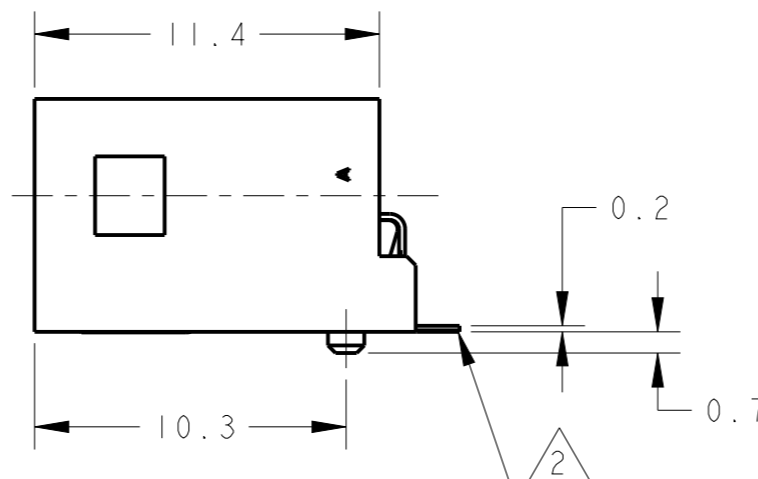
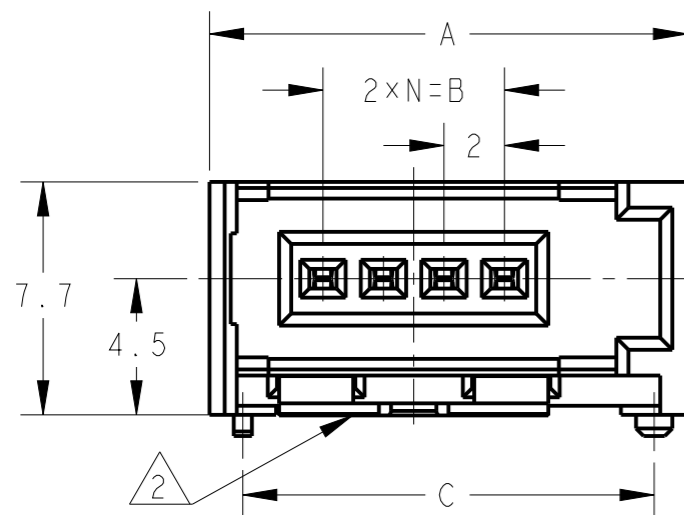


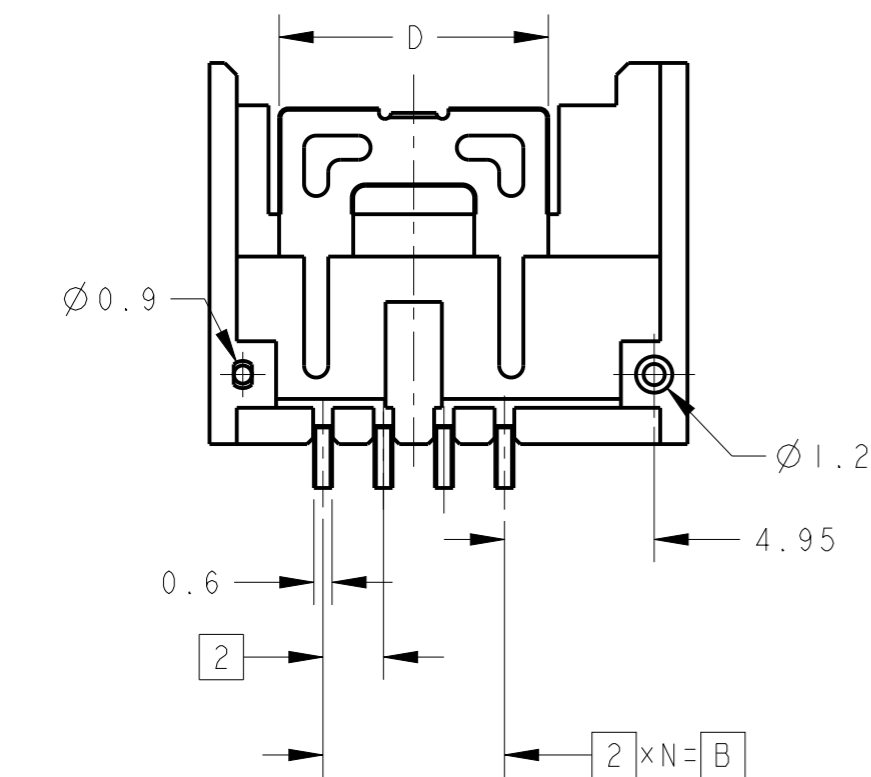
P	LTR	DESCRIPTION	DATE	DWN	APVD
	R	REVISED PER ECR-21-102050	14APR2021	M. J	E. I



1 MATERIAL & FINISH
 CONTACT: COPPER ALLOY, UNDER Ni PLATING 1.27umMIN
 CONTACT AREA: Au PLATING 0.2umMIN
 TINE AREA: TIN PLATING 1~3um
 HOUSING: THERMO PLASTIC
 SOLDER PEG; COPPER ALLOY, UNDER Ni PLATING 1.27umMIN
 TINE AREA: TIN PLATING 1~3um
 2 COPLANARITY OF CONTACT AND SOLDER PEG: 0.1mm MAX.



REFERENCE DIMENSION OF PCB(MOUNTING SIDE)



1565994-3, 4: AS SHOWN

1.1g	0.95g	1.1g	0.95g												
1	1	1	1	SOLDER PEG											3
4	3	4	3	HDR CONTACT											2
1				HSR HSG, 4P, W/O BOSS	10	8.9	-	6	15.8	3	4	1			
	1			HDR HSG, 3P, W/O BOSS	8	6.9	-	4	13.8	2	3	1			
		1		HDR HSG, 4P, WITH BOSS	10	8.9	13.6	6	15.8	3	4	1			
			1	HDR HSG, 3P, WITH BOSS	8	6.9	11.6	4	13.8	2	3	1			
1	-4	1	-3	-4	-3	NAME	E	D	C	B	A	N	POS	ITEM	

THIS DRAWING IS A CONTROLLED DOCUMENT.

DWN M. Kimura 18APR2002
 CHK Y. KASHIWA 18APR2002
 APVD Y. KASHIWA 18APR2002

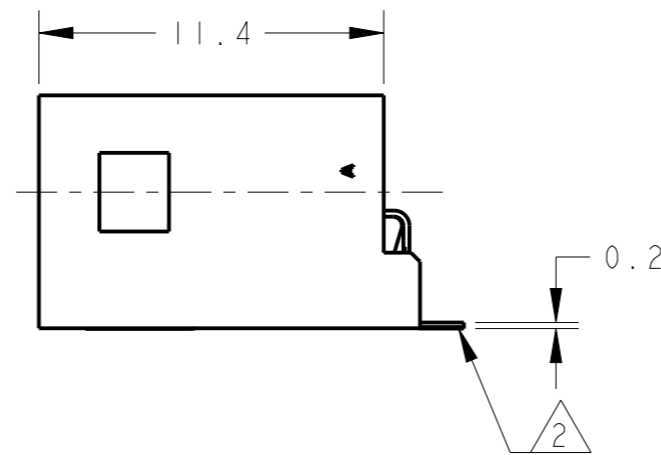
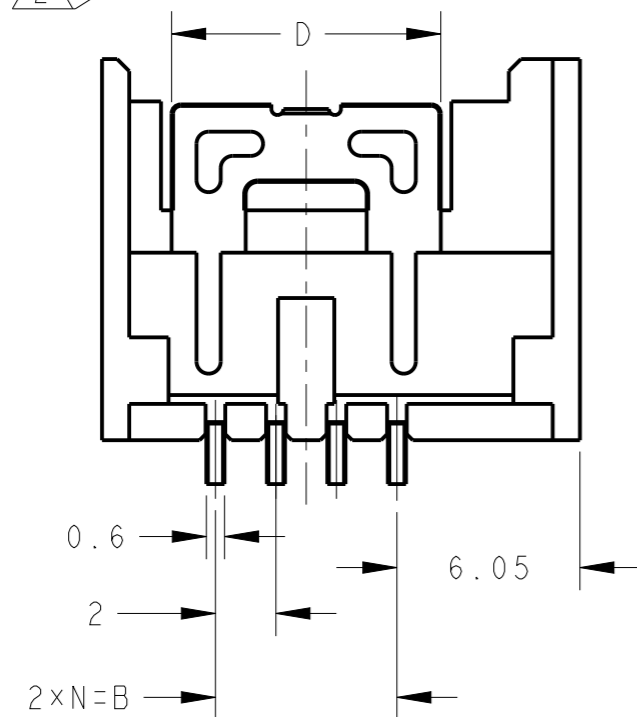
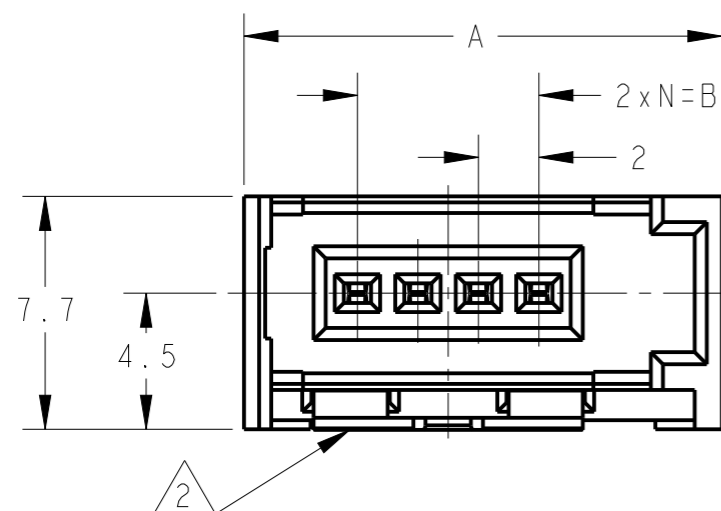
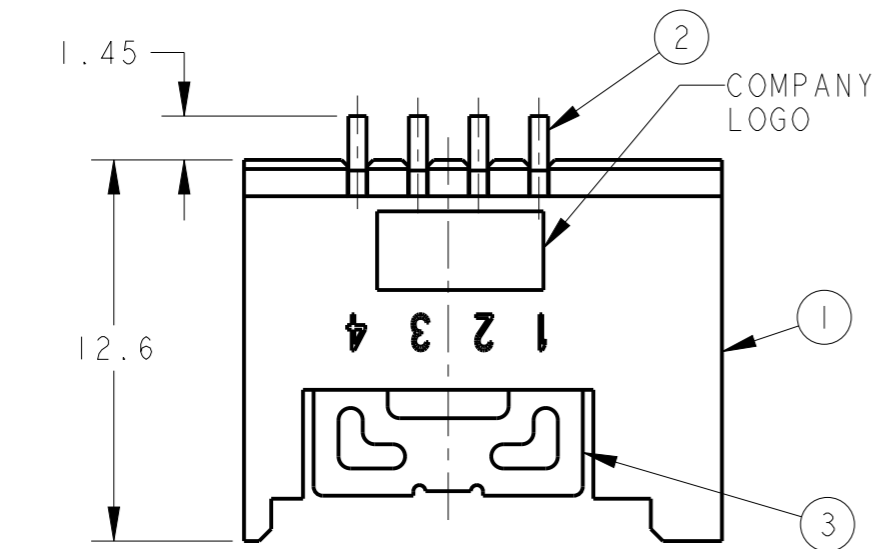
DIMENSIONS: mm
 TOLERANCES UNLESS OTHERWISE SPECIFIED: ±0.25
 0 PLC ±
 1 PLC ±0.1
 2 PLC ±0.01
 3 PLC ±0.001
 4 PLC ±0.0001
 ANGLES ±3°

MATERIAL SEE NOTE
 FINISH SEE NOTE

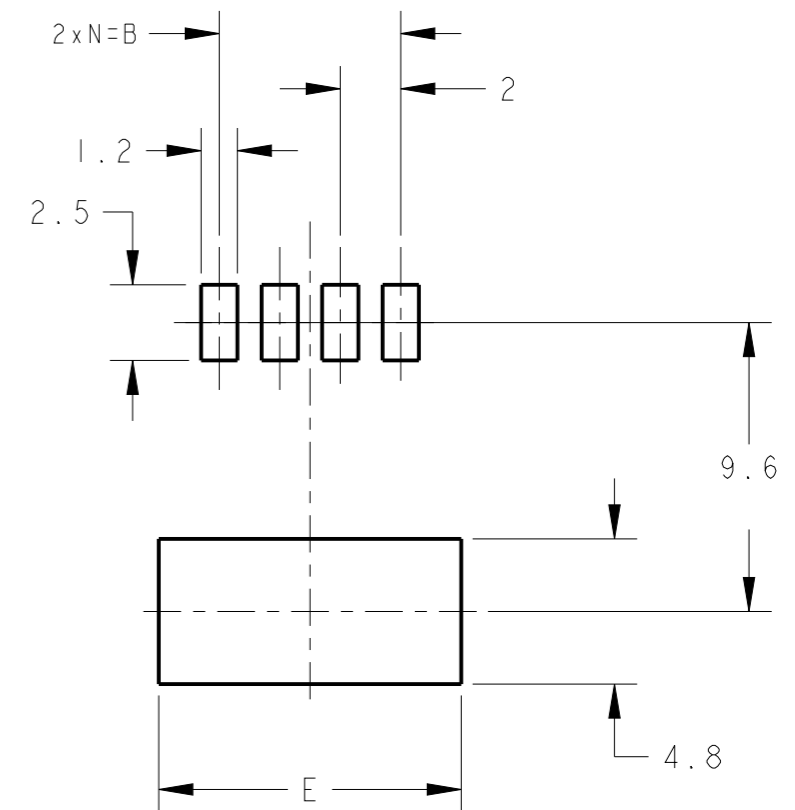
PRODUCT SPEC 108-5765
 APPLICATION SPEC -
 WEIGHT TABLE

TE TE Connectivity
 NAME HDR ASSEMBLY, RIGHT ANGLE SMT TYPE RITS CONNECTOR
 SIZE A3 CAGE CODE DRAWING NO C-1565994 RESTRICTED TO -
 CUSTOMER DRAWING SCALE 4:1 SHEET 1 OF 3 REV R

P	LTR	DESCRIPTION	DATE	DWN	APVD
-	-	SEE SHEET 1	-	-	-



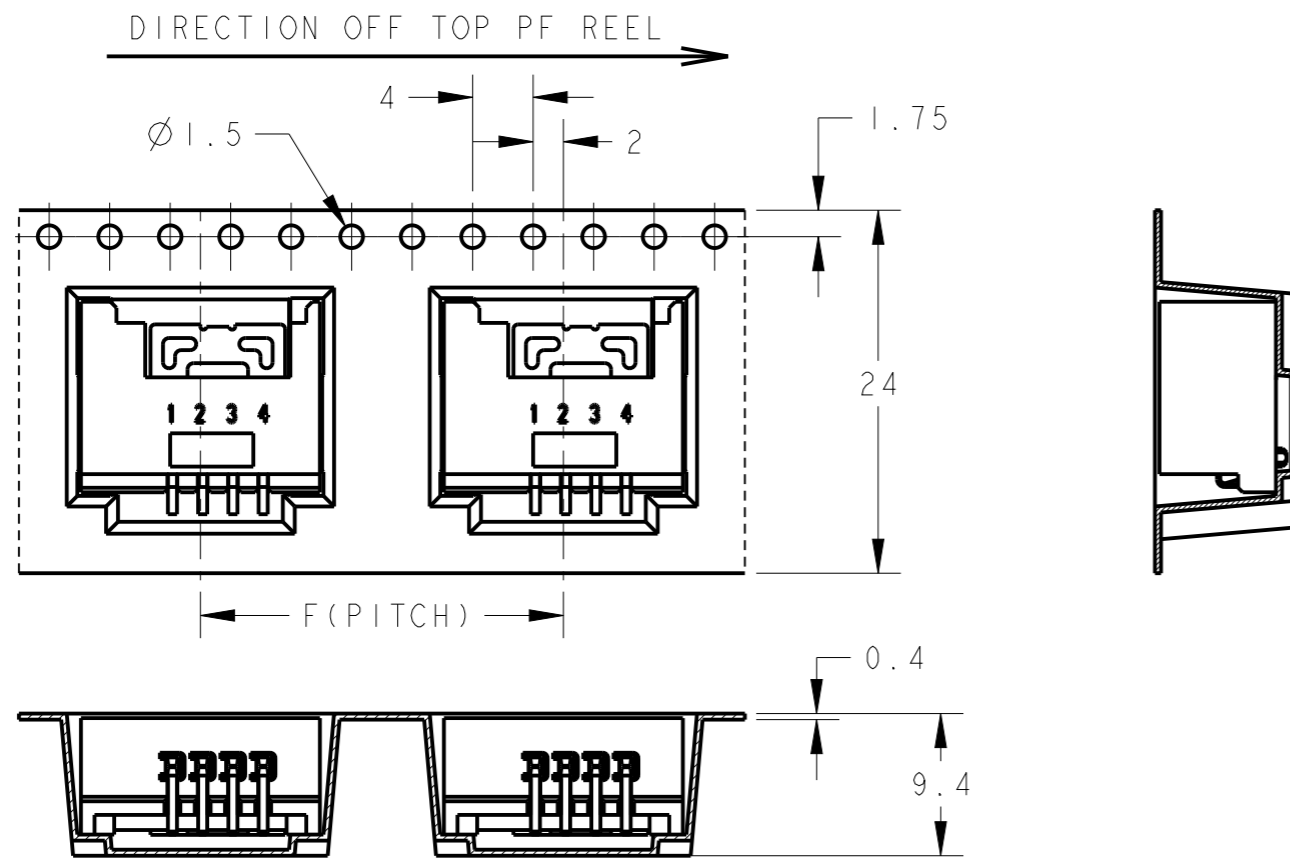
1-1565994-3, 4: AS SHOWN



REFERENCE DIMENSION OF PCB(MOUNTING SIDE)

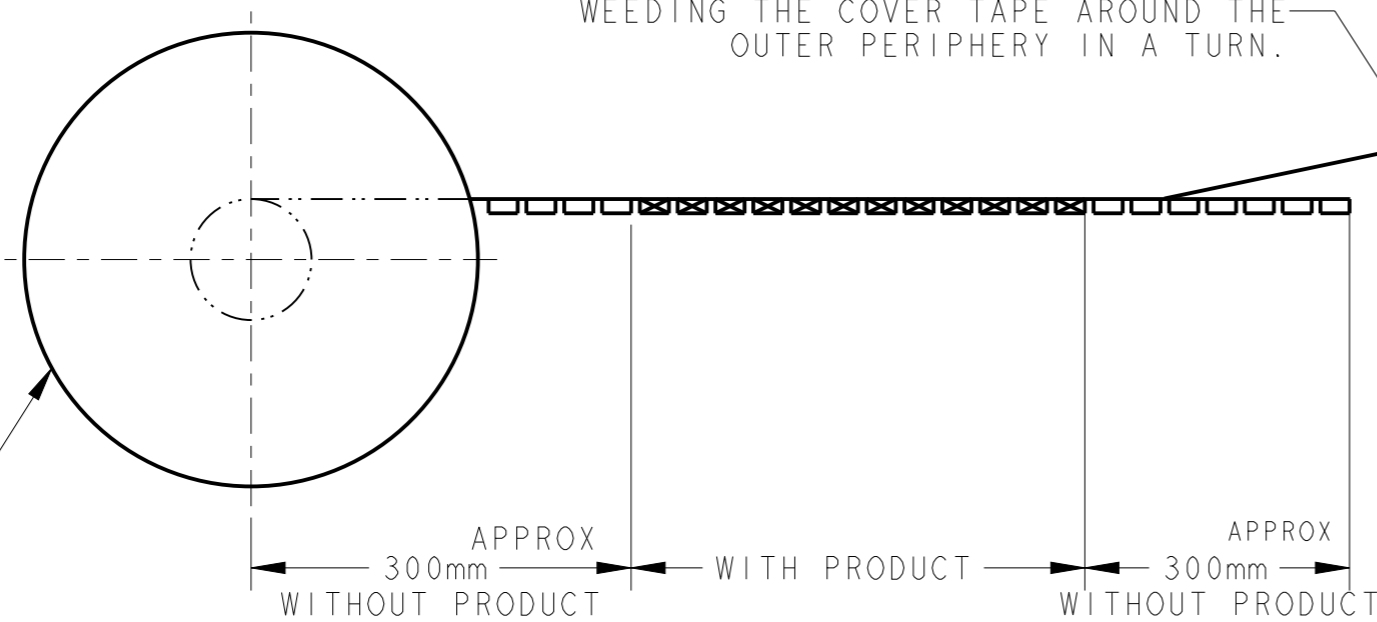
THIS DRAWING IS A CONTROLLED DOCUMENT.		DWN M. Kimura 18APR2002		
DIMENSIONS: mm		CHK Y. KASHIWA 18APR2002		
TOLERANCES UNLESS OTHERWISE SPECIFIED: ±0.25		APVD Y. KASHIWA 18APR2002	NAME HDR ASSEMBLY, RIGHT ANGLE SMT TYPE RITS CONNECTOR	
0 PLC ± 1 PLC ±0.1 2 PLC ±0.01 3 PLC ±0.001 4 PLC ±0.0001 ANGLES ±3°		PRODUCT SPEC 108-5765	SIZE A3	CAGE CODE C-1565994
MATERIAL SEE SHEET 1	FINISH SEE SHEET 1	APPLICATION SPEC -	DRAWING NO C-1565994	RESTRICTED TO -
CUSTOMER DRAWING		WEIGHT TABLE	SCALE 4:1	SHEET 2 OF 3
				REV R

P	LTR	DESCRIPTION	DATE	DWN	APVD
-		SEE SHEET 1	-	-	-



PACKING STYLE

WEEDING THE COVER TAPE AROUND THE OUTER PERIPHERY IN A TURN.



200	4	24	1-1565994-4
250	3	20	1-1565994-3
200	4	24	1565994-4
250	3	20	1565994-3
QTY	POS	F	PART NO.

REEL SIZE:
330 DIA x 80 DIA (HUB) x 31.5 W (25.5 W INSIDE)

THIS DRAWING IS A CONTROLLED DOCUMENT.		DWN M. Kimura 18APR2002		
DIMENSIONS: mm		CHK Y. KASHIWA 18APR2002		
		APVD Y. KASHIWA 18APR2002		
TOLERANCES UNLESS OTHERWISE SPECIFIED: ± 0.3		PRODUCT SPEC	NAME HDR ASSEMBLY, RIGHT ANGLE SMT TYPE RITS CONNECTOR	
0 PLC \pm 1 PLC ± 0.1 2 PLC ± 0.01 3 PLC ± 0.001 4 PLC ± 0.0001 ANGLES $\pm 3^\circ$		APPLICATION SPEC	RESTRICTED TO	
MATERIAL SEE SHEET 1	FINISH SEE SHEET 1	WEIGHT TABLE	SIZE A3	CAGE CODE C-1565994
CUSTOMER DRAWING		SCALE NONE	SHEET 3	OF 3
			REV R	

单击下面可查看定价，库存，交付和生命周期等信息

[>>TE Connectivity\(泰科\)](#)