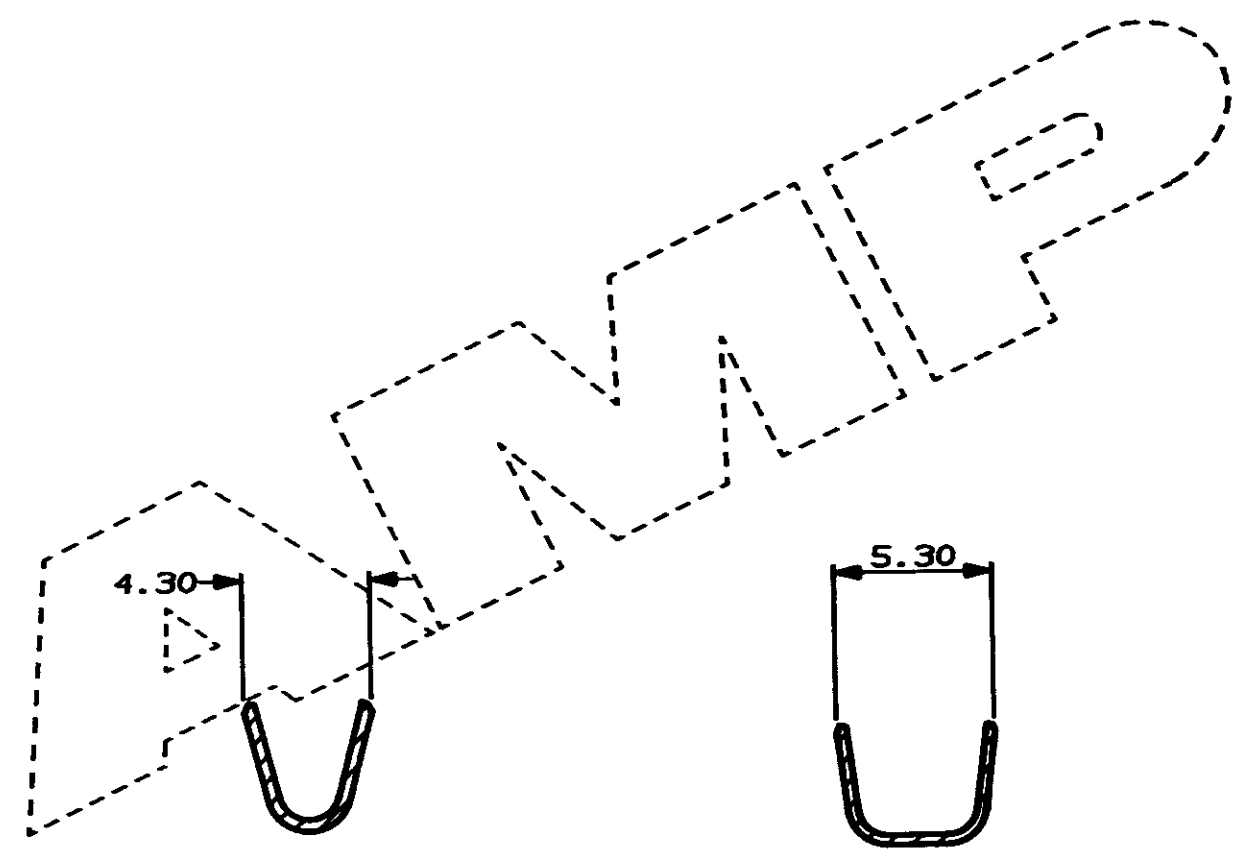
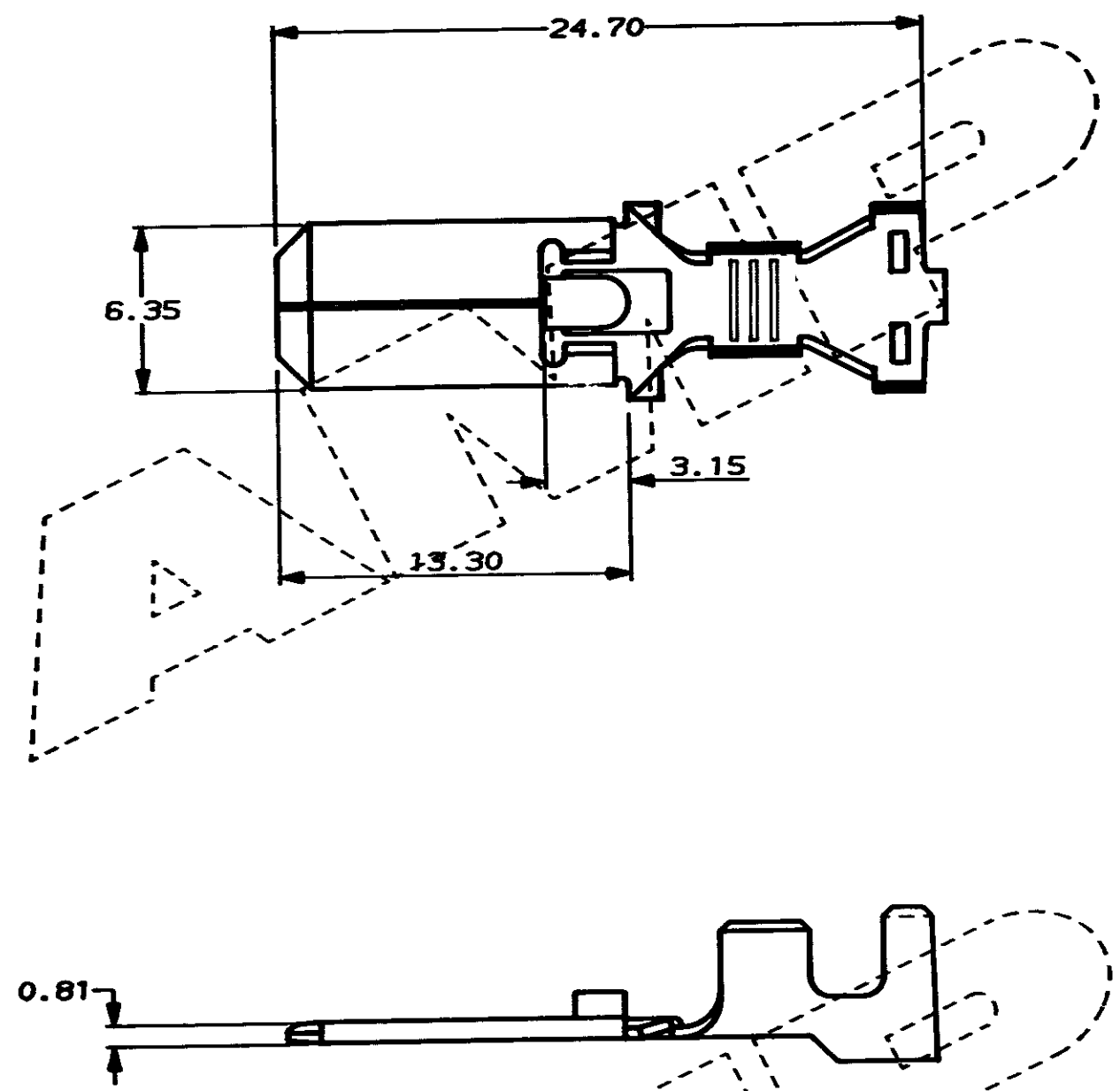


G.A.D. FILE CODE
C344067



WIRE RANGE:
SINGLE WIRES OF 2.0, 2.5 AND 3.0MM²
OR DOUBLE WIRES OF 2 X 1.0MM² OR 2 X 1.5MM²

INS. RANGE:
SINGLE WIRES OF 2.6 DIA. TO 3.4 DIA.
OR DOUBLE WIRES OF 2 X 2.1 DIA. OR 2 X 2.4 DIA.

(NOTE: O/LAP-CRIMP FOR SINGLE WIRES AND
"F" CRIMP FOR DOUBLE WIRES TO BE USED).

PRE-TIN PLATED		COPPER ALLOY		344067-2	
TIN PLATED		BRASS		344067-1	
FINISH			MATERIAL		
CUSTOMER DWG FOR REFERENCE ONLY			©COPYRIGHT 1987 BY AMP OF GREAT BRITAIN LTD. ALL INTERNATIONAL RIGHTS RESERVED. ALL PRODUCTS MAY BE COVERED BY BRITISH AND FOREIGN PATENTS AND/OR PATENTS PENDING.		
			RELEASED FOR PUBLICATION 23/06/87		
TOLERANCES UNLESS OTHERWISE STATED :		DR. R. RUNAGALL		23/06/87	
DEC ± 0.5		CH. R. J. S.		APP. B. J.	
ANGLES ± 1°		STE TE Connectivity			
NAME .250 SERIES TAB HIGH CURRENT ECONOSEAL 3 (UNSEALED APPLICATIONS)					
B2	ECR-20-001446	SCK	30JAN2020	SCALE	LOC
B1	ECR-14-002475	BB	19FEB2014	SIZE	DWG.No.
REV	ECR	APP	DATE	4/1	E A3
				C344067	REV
				B2	SHEET
				1/1	

单击下面可查看定价，库存，交付和生命周期等信息

[>>TE Connectivity\(泰科\)](#)