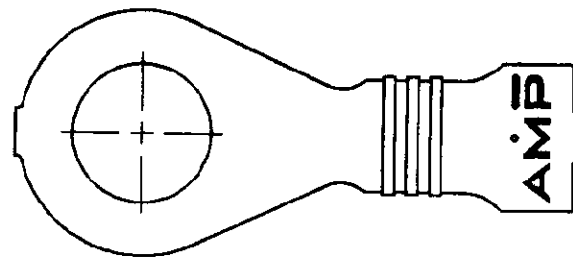
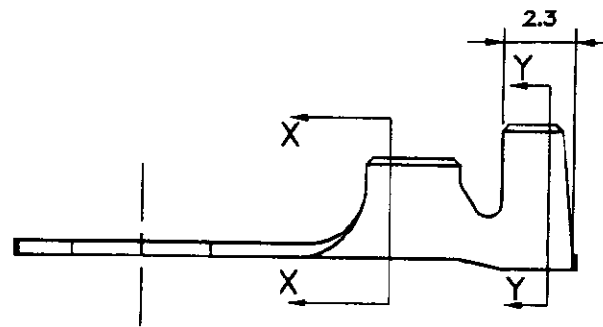
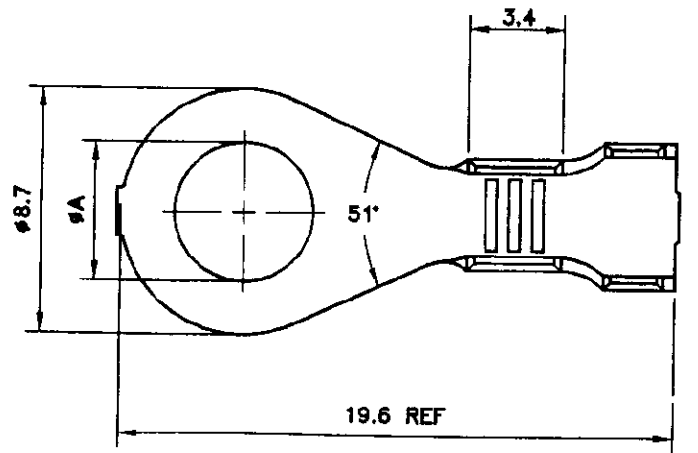
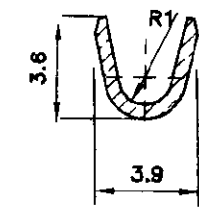


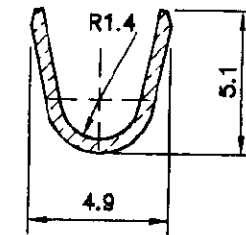
DRAWING MADE IN THIRD ANGLE PROJECTION



1 OBSOLETE PARTS: OBSOLETE CIS STREAMLINING PER D.RENAUD/D.SINISI



SECTION X-X



SECTION Y-Y

1	OBSOLETE	Ø6.2	-	-	NICKEL SILVER SIZE 0.4±0.013X11.43±0.050	190225-4
	OBSOLETE	Ø5.2	-	-	PRE TIN BRASS SIZE 0.5±0.03X11.43±0.050	190225-3
		Ø5	-	-	PRE TIN BRASS SIZE 0.5±0.03X11.43±0.050	190225-2
	OBSOLETE	Ø5	-	-	PRE TIN BRASS SIZE 0.5±0.03X11.43±0.050	190225-0
		Ø A	REMARKS	FINISH	MATERIAL	PART No

WIRE RANGE 0.5-1.3 sq.mm		INSULATION RANGE Ø2.54-3.56 mm		ALL DIMENSIONS ARE IN mm TOLERANCES UNLESS OTHERWISE SPECIFIED ARE AS FOLLO			
				DIM INCLUDING & UP TO 0-6 6-30 30-120 120-315 >315			
				TOLERANCE ± 0.1 0.2 0.3 0.5 0.8 ANGLES ±0° 30°			
				SIZE AS PER TABLE			
				DATE 11/04/94		CHK VK [Signature]	
				DR RB		APP BL [Signature]	
				NAME RING TONGUE			
				SCALE AS 4:1 or SHOWN		SIZE A3	
				DWG No. C-190225		SHEET 1 OF 1	
				REV K1		LOC CODE U	

**CONTROLLED**

THIS INFORMATION IS CONFIDENTIAL AND DISCLOSED TO YOU ON CONDITION THAT NO FURTHER DISCLOSURE IS MADE BY YOU TO OTHER THAN AMP PERSONNEL WITHOUT WRITTEN AUTHORIZATION FROM AUSTRALIAN AMP

8 7 6 5 4 3 2 1 CUSTOMER DRAWING

**ORIGINAL**

单击下面可查看定价，库存，交付和生命周期等信息

[>>TE Connectivity\(泰科\)](#)