

4

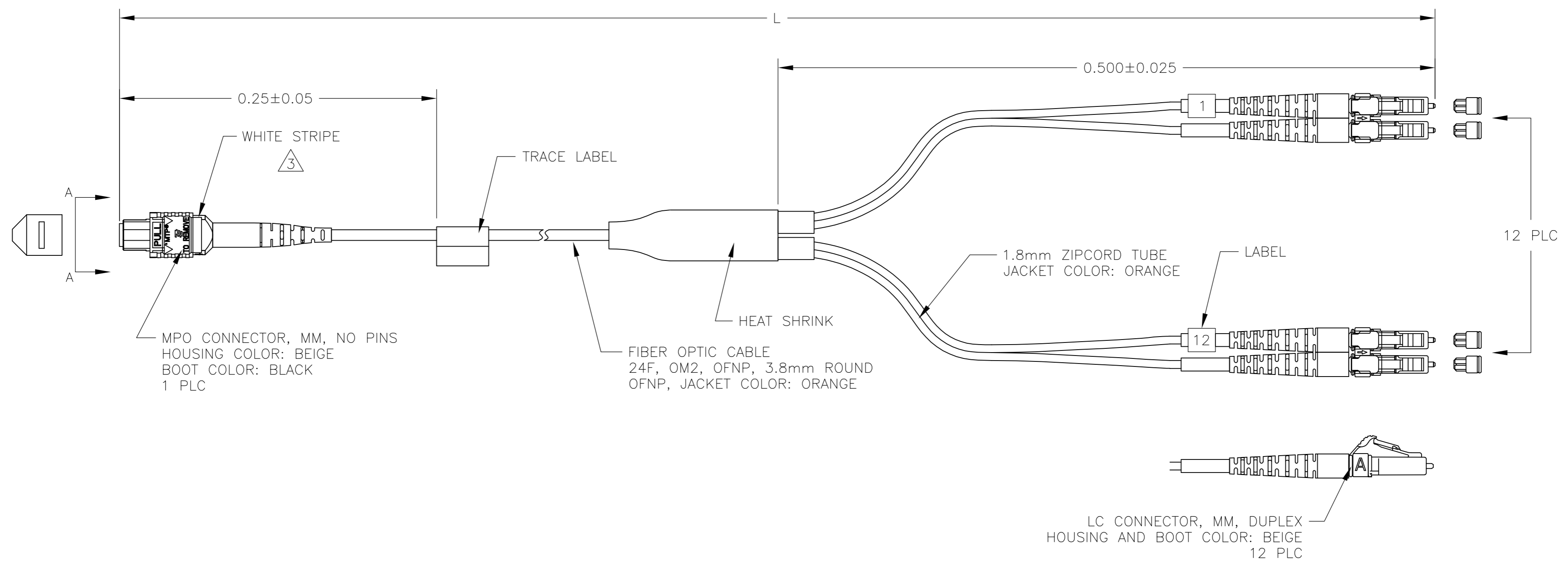
3

2

1

THIS DRAWING IS UNPUBLISHED. RELEASED FOR PUBLICATION
 © COPYRIGHT - By - ALL RIGHTS RESERVED.

LOC	DIST	REVISIONS			
P	LTR	DESCRIPTION	DATE	DWN	APVD
HG	17	ECR-13-018961	09DEC2013	HZ	RZ



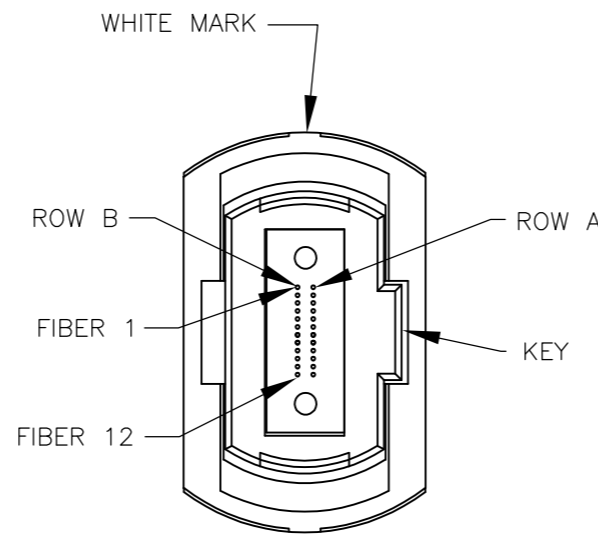
2148040

THIS DRAWING IS A CONTROLLED DOCUMENT.		DWN ZHANG JINQIANG 29AUG2011	STE TE Connectivity		
DIMENSIONS: METERS		CHK PHILIP LIU 29AUG2011			
TOLERANCES UNLESS OTHERWISE SPECIFIED:		APVD RICHARD ZHAO 29AUG2011	NAME CABLE ASSEMBLY, FIBER OPTIC, OM2 CXP BREAKOUT, OFNP, 24F, 3.8mm ROUND CABLE MPO, NO PINS TO 12 LC DUPLEX		
MATERIAL		PRODUCT SPEC	SIZE A2	CAGE CODE 00779	DRAWING NO C-2148040
FINISH		APPLICATION SPEC	RESTRICTED TO	SCALE NTS	
		WEIGHT	SHEET 1 of 2		REV C
		CUSTOMER DRAWING			

THIS DRAWING IS UNPUBLISHED. RELEASED FOR PUBLICATION
 © COPYRIGHT - By - ALL RIGHTS RESERVED.

LOC	DIST	REVISIONS					
		P	LTR	DESCRIPTION	DATE	DWN	APVD
HG	17	-	-	SEE SHEET 1	-	-	-

PART NUMBER	L		MPO MAX IL (dB) Δ ₁	LC MAX IL (dB) Δ ₁
	MAX	MIN		
2148040-1	1.050	0.950	1.00	0.30
2148040-2	2.050	1.950	1.00	0.30
2148040-3	3.050	2.950	1.00	0.30
2148040-4	4.080	3.920	1.01	0.31
2148040-5	5.080	4.920	1.01	0.31
2148040-6	6.080	5.920	1.01	0.31
2148040-7	7.080	6.920	1.01	0.31
2148040-8	8.080	7.920	1.01	0.31
2148040-9	9.150	8.850	1.01	0.31
1-2148040-0	10.150	9.850	1.02	0.32
1-2148040-1	11.150	10.850	1.02	0.32
1-2148040-2	12.150	11.850	1.02	0.32
1-2148040-3	13.150	12.850	1.02	0.32
1-2148040-4	14.150	13.850	1.02	0.32
1-2148040-5	15.150	14.850	1.02	0.32
1-2148040-6	16.160	15.840	1.02	0.32
1-2148040-7	17.170	16.830	1.03	0.33
1-2148040-8	18.180	17.820	1.03	0.33
1-2148040-9	19.190	18.810	1.03	0.33
2-2148040-0	20.200	19.800	1.03	0.33
2-2148040-1	21.210	20.790	1.03	0.33
2-2148040-2	22.220	21.780	1.03	0.33
2-2148040-3	23.230	22.770	1.03	0.33
2-2148040-4	24.240	23.760	1.04	0.34
2-2148040-5	25.250	24.750	1.04	0.34
2-2148040-6	26.260	25.740	1.04	0.34
2-2148040-7	27.270	26.730	1.04	0.34
2-2148040-8	28.280	27.720	1.04	0.34
2-2148040-9	29.290	28.710	1.04	0.34
3-2148040-0	30.300	29.700	1.05	0.35
3-2148040-1	31.310	30.690	1.05	0.35
3-2148040-2	32.320	31.680	1.05	0.35
3-2148040-3	33.330	32.670	1.05	0.35
3-2148040-4	34.340	33.660	1.05	0.35
3-2148040-5	35.350	34.650	1.05	0.35
3-2148040-6	36.360	35.640	1.05	0.35
3-2148040-7	37.370	36.630	1.06	0.36
3-2148040-8	38.380	37.620	1.06	0.36
3-2148040-9	39.390	38.610	1.06	0.36
4-2148040-0	40.400	39.600	1.06	0.36
4-2148040-1	41.410	40.590	1.06	0.36
4-2148040-2	42.420	41.580	1.06	0.36
4-2148040-3	43.430	42.570	1.06	0.36
4-2148040-4	44.440	43.560	1.07	0.37
4-2148040-5	45.450	44.550	1.07	0.37
4-2148040-6	46.460	45.540	1.07	0.37
4-2148040-7	47.470	46.530	1.07	0.37
4-2148040-8	48.480	47.520	1.07	0.37
4-2148040-9	49.490	48.510	1.07	0.37
5-2148040-0	50.500	49.500	1.08	0.38
5-2148040-5	55.550	54.450	1.08	0.38
6-2148040-0	60.600	59.400	1.09	0.39
6-2148040-5	65.650	64.350	1.10	0.40
7-2148040-0	70.700	69.300	1.11	0.41
7-2148040-5	75.750	74.250	1.11	0.41
8-2148040-0	80.800	79.200	1.12	0.42
8-2148040-5	86.000	84.000	1.13	0.43
9-2148040-0	91.350	88.650	1.14	0.44
9-2148040-5	96.425	94.575	1.14	0.44
9-2148040-9	101.500	98.500	1.15	0.45



VIEW A-A
NOT TO SCALE

MPO A ROW	FIBER	FIBER COLOR	LC DPX
A	1	BLUE	1B
A	2	ORANGE	2B
A	3	GREEN	3B
A	4	BROWN	4B
A	5	SLATE	5B
A	6	WHITE	6B
A	7	RED	7B
A	8	BLACK	8B
A	9	YELLOW	9B
A	10	VIOLET	10B
A	11	ROSE	11B
A	12	AQUA	12B
B	1	BLUE	1A
B	2	ORANGE	2A
B	3	GREEN	3A
B	4	BROWN	4A
B	5	SLATE	5A
B	6	WHITE	6A
B	7	RED	7A
B	8	BLACK	8A
B	9	YELLOW	9A
B	10	VIOLET	10A
B	11	ROSE	11A
B	12	AQUA	12A

MPO CONNECTOR FIBER PATH

- SEE TABLE FOR MPO&LC IL @ 1300nm
- PLACE A COPY OF TEST DATA INSIDE OR WITH THE UNIT PACKAGE.
- WHITE MARK ON CONNECTOR HOUSING INDICATES FIBER 1 SIDE.
- PRODUCT AND PROCESSING MUST MEET REQUIREMENTS OF TE CONNECTIVITY STANDARD TEC-138-702.

THIS DRAWING IS A CONTROLLED DOCUMENT.		DWN ZHANG JINQIANG 29AUG2011	TE Connectivity	
DIMENSIONS: METERS		CHK PHILIP LIU 29AUG2011		
TOLERANCES UNLESS OTHERWISE SPECIFIED:		APVD RICHARD ZHAO 29AUG2011	NAME CABLE ASSEMBLY, FIBER OPTIC, OM2	
0 PLC ± -		PRODUCT SPEC	CXP BREAKOUT, OFNP, 24F, 3.8mm ROUND CABLE	
1 PLC ± -		APPLICATION SPEC	MPO, NO PINS TO 12 LC DUPLEX	
2 PLC ± -		WEIGHT	SIZE	RESTRICTED TO
3 PLC ± -		FINISH	CAGE CODE	DRAWING NO
4 PLC ± -			SCALE	SHEET
ANGLES ± -			00779	2 OF 2
MATERIAL			00779	REV
			C=2148040	C
			CUSTOMER DRAWING	
			SCALE	
			NTS	

单击下面可查看定价，库存，交付和生命周期等信息

[>>TE Connectivity\(泰科\)](#)