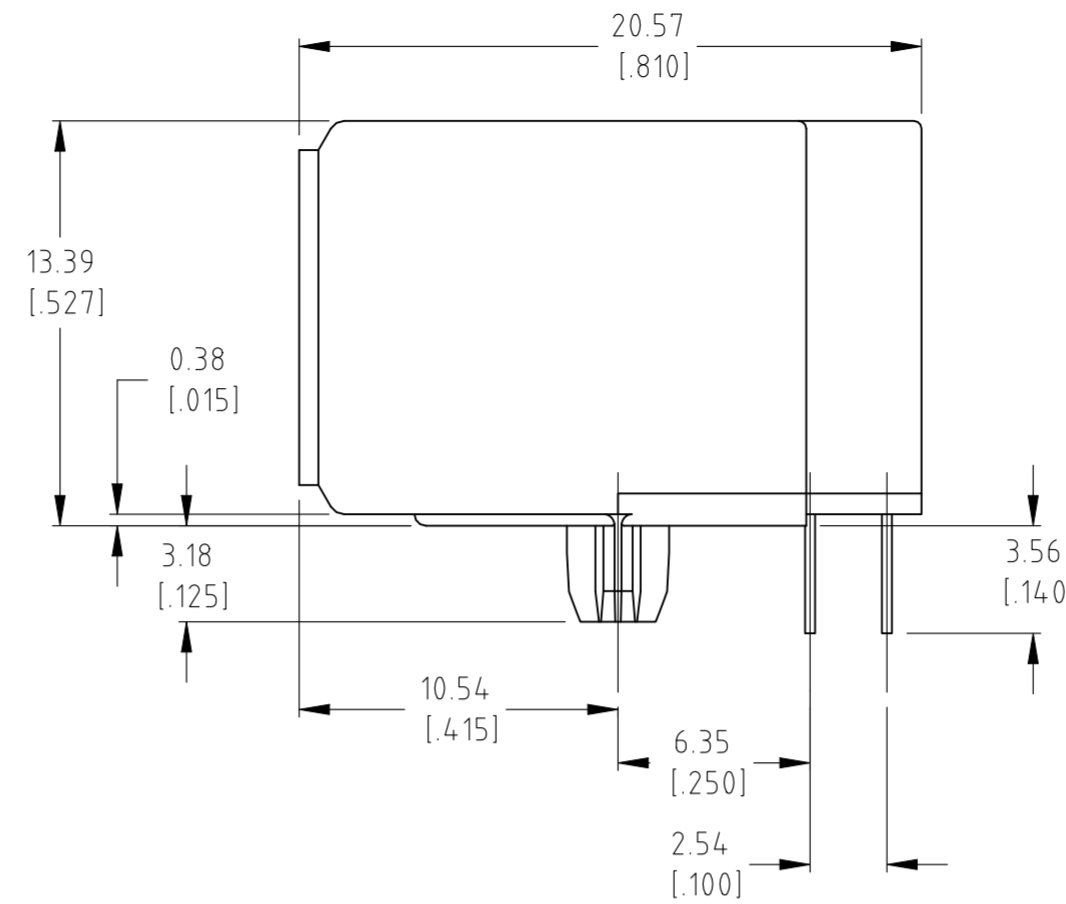
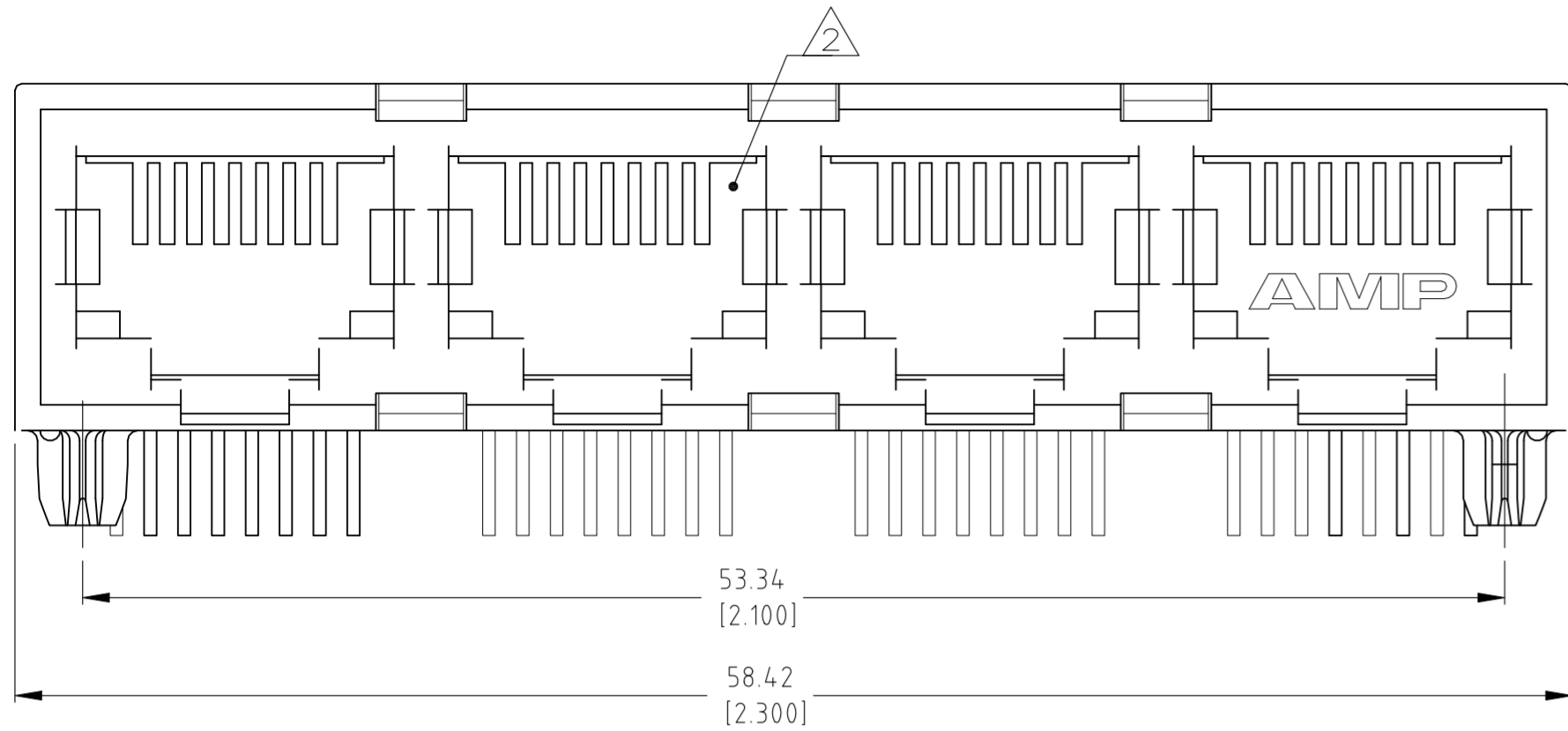


REVISIONS					
P	LTR	DESCRIPTION	DATE	DWN	APVD
A1		ECR-19-014657	13DEC2020	RR	SZ



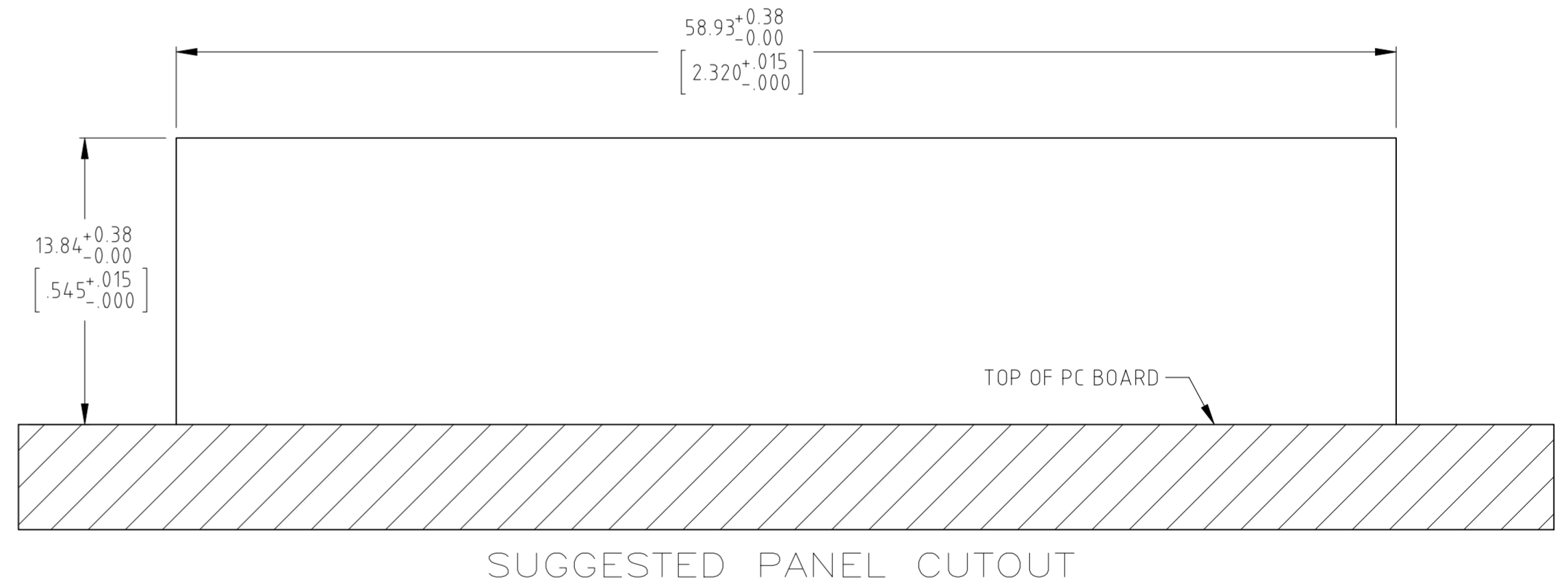
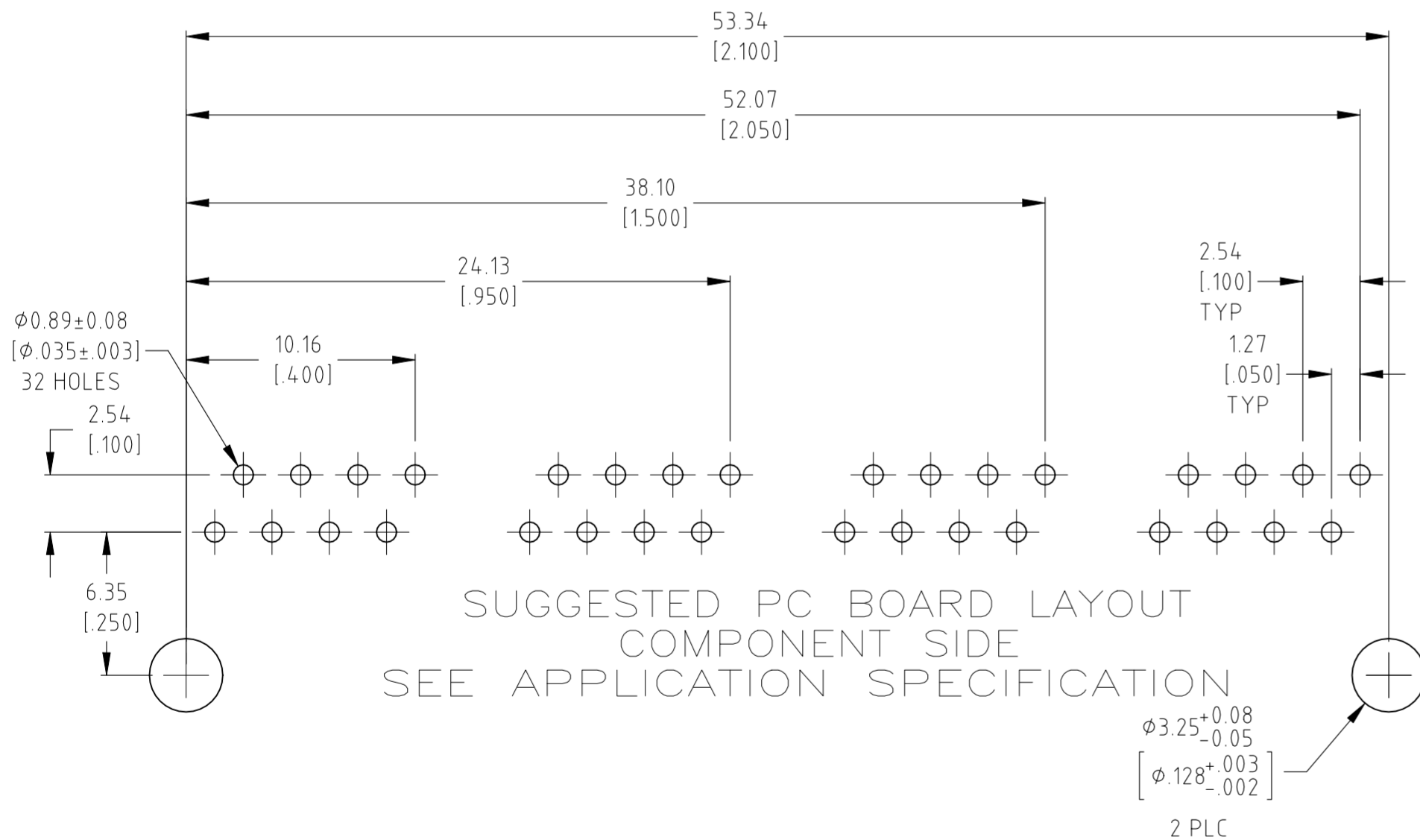
1. MATERIAL: HOUSING – HIGH TEMPERATURE NYLON, BLACK, IR COMPATIBLE, UL 94V-0.
 TERMINALS – 0.33[.013] THICK PHOS BRONZE PLATED WITH 1.27 μ m[.000050] MINIMUM HARD GOLD ON LOCALIZED AREA AND 3.81 μ m [.000150] MINIMUM MATTE TIN IN SOLDER AREA OVER 1.27 μ m [.000050] MINIMUM NICKEL UNDERPLATE.

2. JACK CAVITY CONFORMS TO FCC RULES AND REGULATIONS, PART 68 SUBPART F.

3. CAUTION: CATEGORY 5 JACK SOLDER TAIL POSITIONS DO NOT FOLLOW SAME NUMBER SEQUENCE AS THAT OF THE TRADITIONAL JACKS.



TRADITIONAL JACK 3 CATEGORY 5 & 5e JACK



1932371

A

1932371-1
 PART NO.

THIS DRAWING IS A CONTROLLED DOCUMENT.		DWN TERRY.YU 19MAY2009	TE Connectivity	
DIMENSIONS: mm [INCHES]		CHK MARTIN.LI 19MAY2009		
TOLERANCES UNLESS OTHERWISE SPECIFIED:		APVD STEVEN.YAO 19MAY2009	NAME MODULAR JACK ASSEMBLY, 4 PORT, 8 POSITION, RIGHT ANGLE, CATEGORY 5e	
0 PLC ± - 1 PLC ± - 2 PLC ± 0.25 [.010] 3 PLC ± - 4 PLC ± - ANGLES ± -		PRODUCT SPEC 108-1392	SIZE A2	CAGE CODE 00779
MATERIAL SEE NOTE 1		FINISH SEE NOTE 1	DRAWING NO 114-2048	RESTRICTED TO -
		WEIGHT 0.000000	SCALE 4:1	SHEET 1 OF 1
		CUSTOMER DRAWING	REV A1	

单击下面可查看定价，库存，交付和生命周期等信息

[>>TE Connectivity\(泰科\)](#)