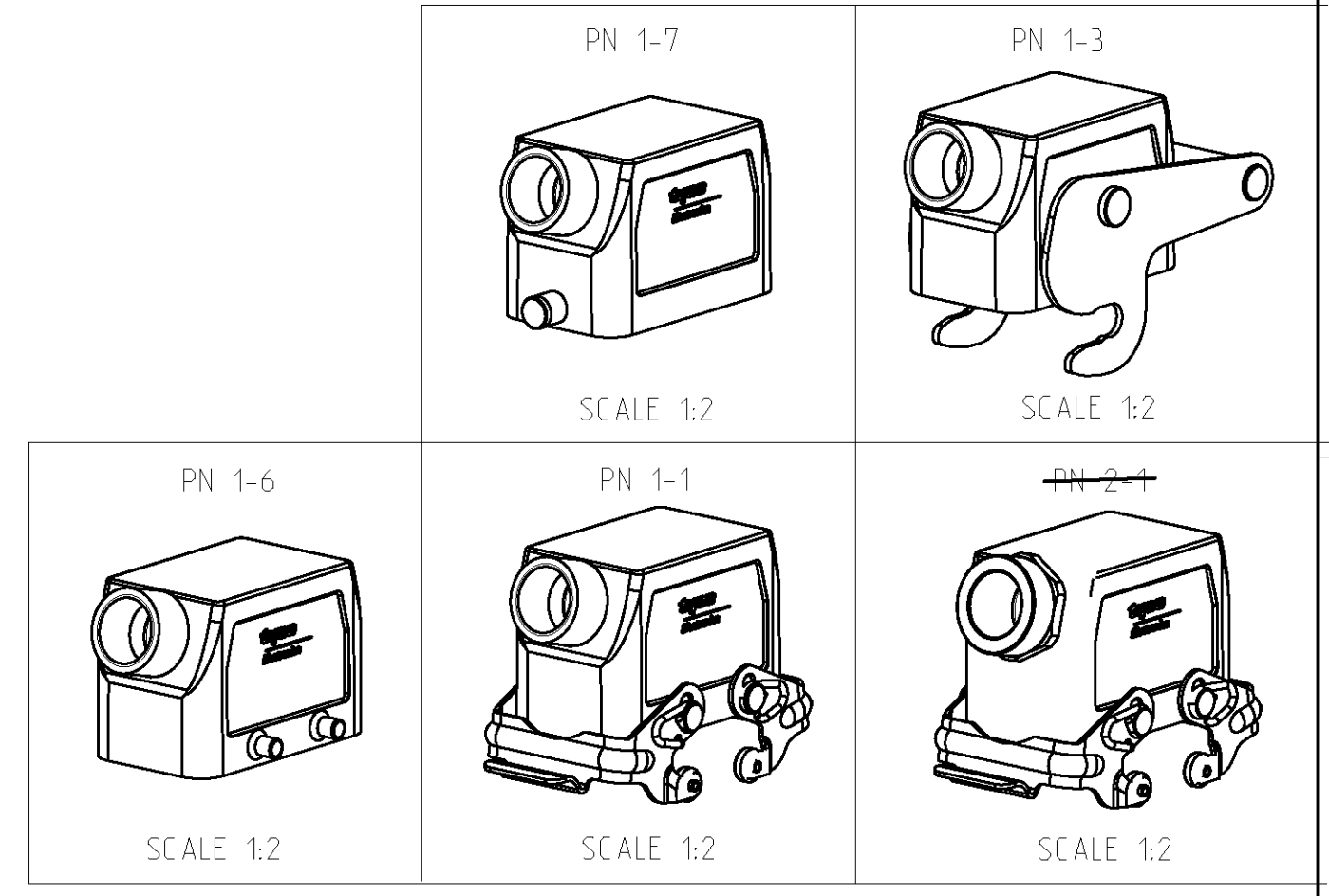


| LOC | DISC | REV | DATE     | BY | APPV |
|-----|------|-----|----------|----|------|
| -   | -    | A4  | 17.12.07 | SP | TS   |
| -   | -    | A5  | 12JAN10  | KK | AEG  |

- NOTES.
- Material:Housing:Aluminium Diecasting Alloy
  - Surface:Varnish grey
  - Varnish on the inside not necessary
  - Packaging  
Quantity 5 Pieces in a box

**△** OBSOLETE PARTS: OBSOLETE CIS STREAMLINING PER D.RENAUD/D.SINISI



| QTY | DESCRIPTION        | MATERIAL        | SURFACE         | COLOR | ITEM NO | NOTES |
|-----|--------------------|-----------------|-----------------|-------|---------|-------|
| 10  | ZB-Central clip    | Stainless steel | -               | -     | 10      |       |
| 9   | LB-Clip bolt       | Stainless steel | -               | -     | 9       |       |
| 8   | LB-Clip bolt       | Steel           | Zinc plated     | Blue  | 8       |       |
| 7   | VS-Side clip       | Stainless steel | -               | -     | 7       |       |
| 6   | VS-Side clip       | Steel           | Zinc plated     | Blue  | 6       |       |
| 5   | VS-Clip bolt       | Stainless steel | -               | -     | 5       |       |
| 4   | 6-K1-Adaptor PG16  | Brass           | Nickel plated   | -     | 4       |       |
| 3   | Adaptor round PG16 | Brass           | Nickel plated   | -     | 3       |       |
| 2   | Hood HB.10.Pg.1.16 | Aluminium       | Aluminium oxide | Blak  | 2       |       |
| 1   | Hood HB.10.Pg.1.16 | Aluminium       | -               | Grey  | 1       |       |

ORDERING TEXT  
 HB.10.STS.1.16.Z  
 HB-K.10.Sts.1.16.Z  
 HB.10.STS-VS.1.16.Z  
 HB-K.10.STS-VS.1.16.Z  
 HB.10.STS-GR.1.16.Z  
 HB-K.10.Sts-GR.1.16.Z  
 HB-Z.10.STS-ZB.1.16.Z

|                    |  |  |  |   |  |   |  |
|--------------------|--|--|--|---|--|---|--|
| DIMENSIONS: mm<br> |  | TOLERANCES UNLESS OTHERWISE SPECIFIED:<br>0/0.05 mm-10<br>1/0.10 mm-10<br>2/0.15 mm-10<br>3/0.20 mm-10<br>4/0.25 mm-10<br>ANGLES ± |  | DWN Schneider 03.03.99<br>CDR Schneider 03.03.99<br>APVD -<br>NAME<br>PRODUCT SPEC<br>APPLICATION SPEC<br>WEIGHT<br>CUSTOMER DRAW ING |  | Tyco Electronics Tyco Electronics AMP GmbH<br>0-53819,Neunkirchen,Germany<br>Hood<br>HB.10.Sts.1.16.Z<br>SIZE CAGE CODE DRAWING NO RESTRICTED TO<br>A 100779 C=1102260<br>SCALE 1:1 SHEET 1 OF 1 REV A5 |  |
|--------------------|--|--|--|---|--|---|--|

单击下面可查看定价，库存，交付和生命周期等信息

[>>TE Connectivity\(泰科\)](#)