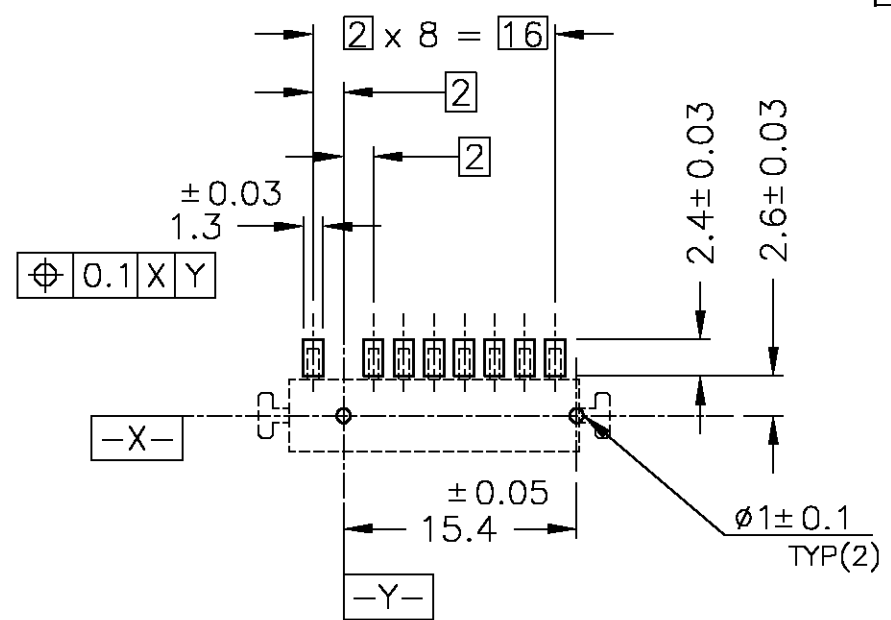
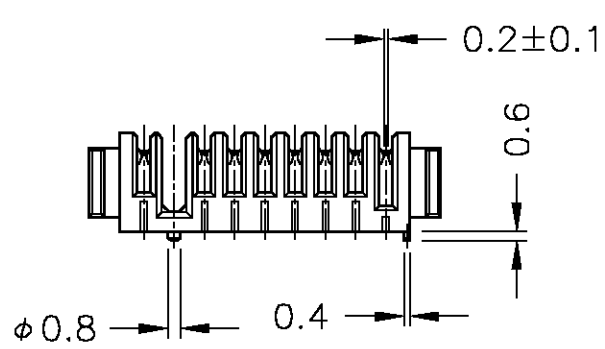
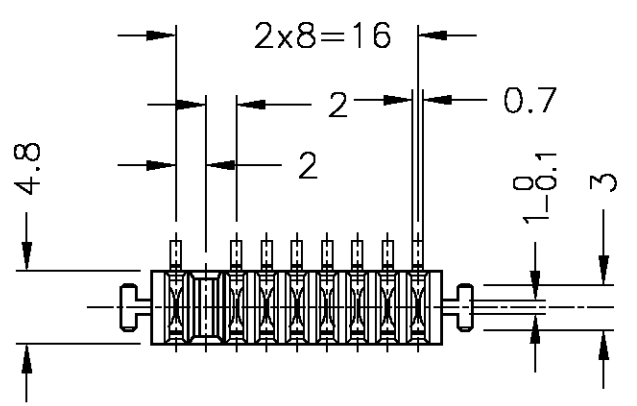
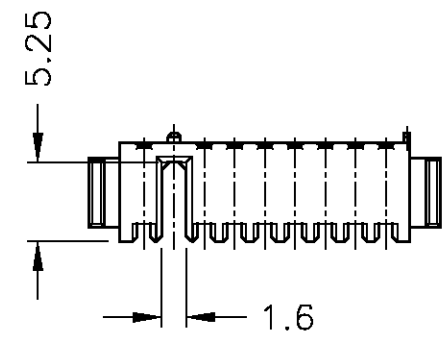
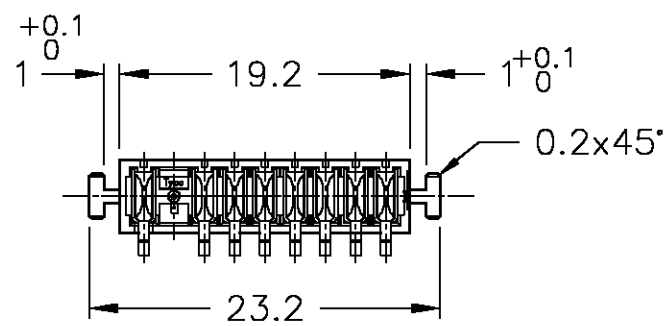


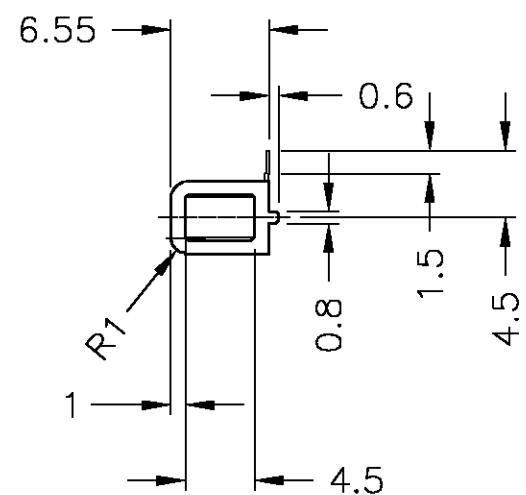
THIS DRAWING IS UNPUBLISHED. RELEASED FOR PUBLICATION 8 2004.  
 © COPYRIGHT 2004 BY TYCO ELECTRONICS CORPORATION. ALL RIGHTS RESERVED.

LOC	DIST	REVISIONS					
		P	LTR	DESCRIPTION	DATE	DWN	APVD
J		0	RELEASED	FJBO-0796-04	12AUG04	T.K	K.I

1747786-1 AS SHOWN



基板取付参考寸法  
 REFERENCE P.C. BOARD LAYOUT  
 P.C. BOARD THK 0.8~1.2  
 (VIEW FROM CONNECTOR MOUNTING SIDE)



- ① 材料 ハウジング : 6Tナイロン、UL94V-0  
色 ; 黒  
コンタクト : 銅合金
- ② 仕上げ コンタクト : Ni 下地めっき 2µm以上  
接触部 Auめっき 0.3µm以上  
半田付け部 Auフラッシュめっき 0.05~0.15µm
- ① MATERIAL HOUSING : 6T NYLON, UL94V-0  
COLOR ; BLACK  
CONTACT : COPPER ALLOY
- ② FINISH CONTACT : Ni 2µm MIN. ALL OVER UNDER PL  
Au PL. 0.3µm MIN. AT CONTACT AREA  
Au FLUSH PL. 0.05~0.15µm AT LEAD AREA

THIS DRAWING IS A CONTROLLED DOCUMENT.		DWN T.KATANO	12AUG04	<b>tyco</b> Electronics	Tyco Electronics AMP K.K. Kawasaki, Japan		
DIMENSIONS: MM		CHK T.KIMURA	12AUG04		NAME 2mm PITCH BATTERY CONNECTOR 8POS RECEPTACLE ASSEMBLY, REVERSE TYPE		
TOLERANCES UNLESS OTHERWISE SPECIFIED:		APVD K.IKEGAMI	12AUG04	PRODUCT SPEC 108-5850			
0 PLC ± 0.3 1 PLC ± 0.3 2 PLC ± 0.3 3 PLC ± 0.3 4 PLC ± 0.3 ANGLES ± 3°		APPLICATION SPEC		SIZE	CAGE CODE	DRAWING NO	RESTRICTED TO
MATERIAL ①		FINISH ②		WEIGHT 0.9g	A3	00779	©-1747786
CUSTOMER DRAWING				SCALE 2:1	SHEET 1 OF 1	REV 0	

单击下面可查看定价，库存，交付和生命周期等信息

[>>TE Connectivity\(泰科\)](#)