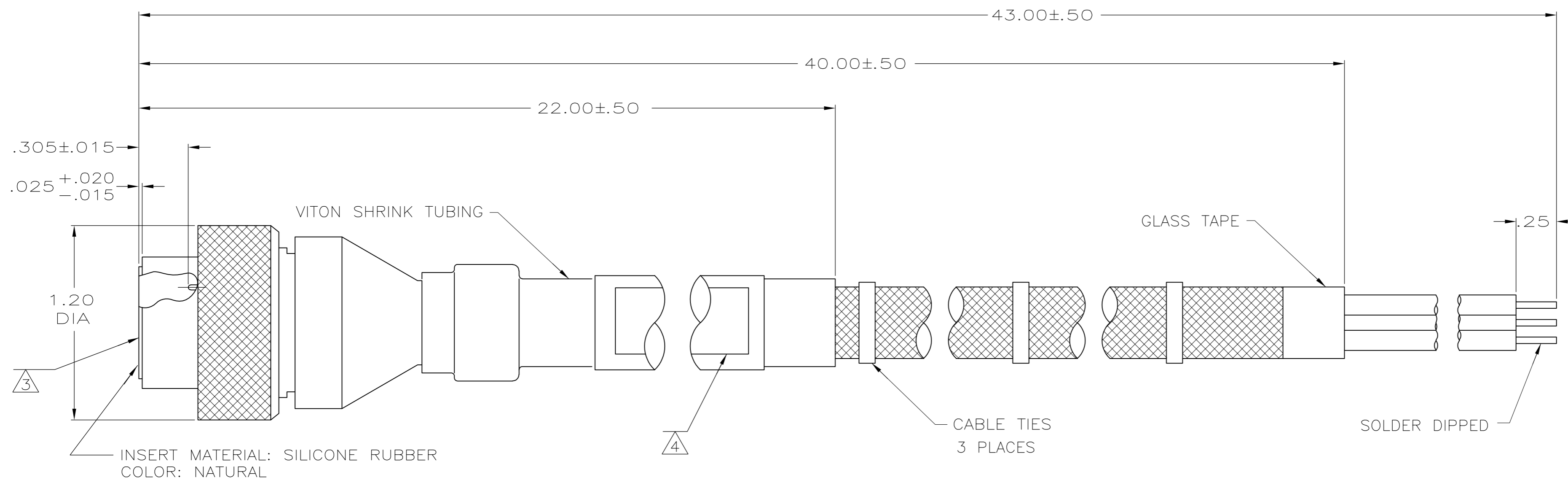
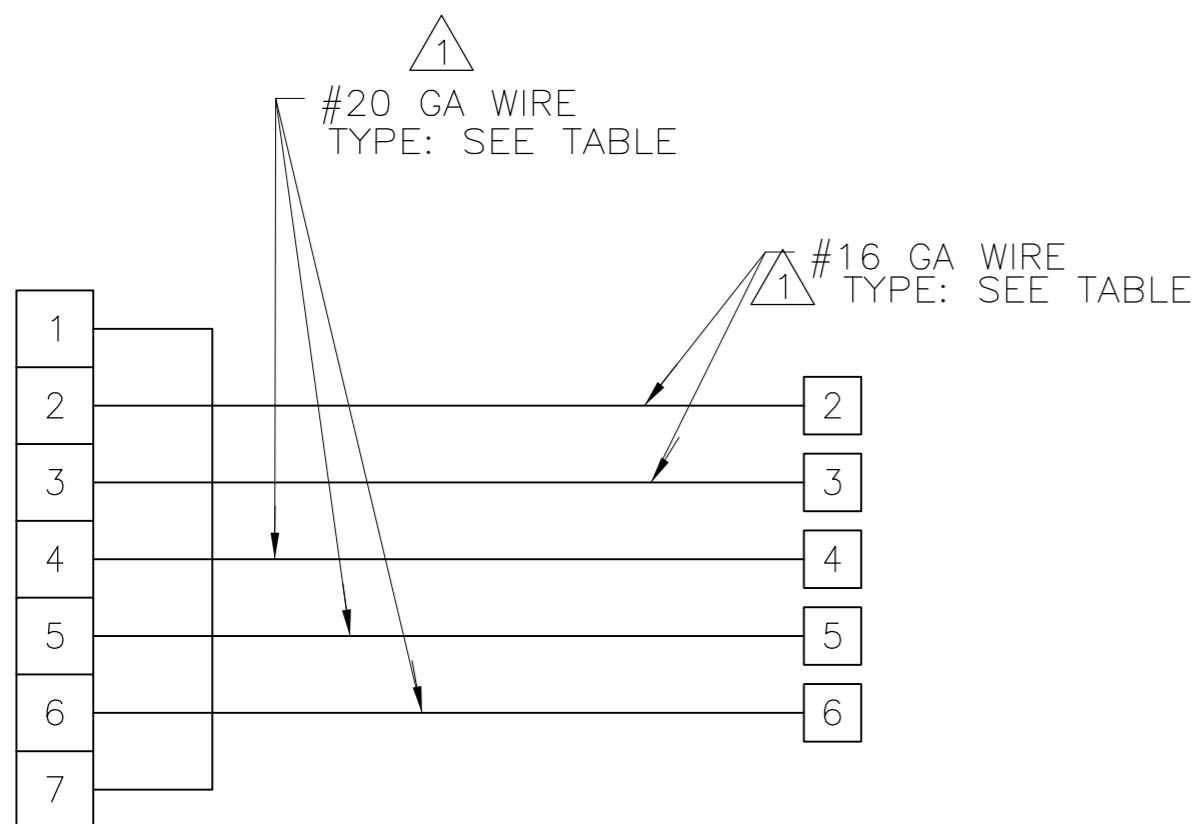


THIS DRAWING IS UNPUBLISHED. RELEASED FOR PUBLICATION  
 © COPYRIGHT - By - ALL RIGHTS RESERVED.

REVISIONS				
P	LTR	DESCRIPTION	DATE	APVD
G		REV PER ECO 17-001642	2-13-17	CT DM



- ① WIRES HAVE A LAY OF APPROX 4 TURNS PER FOOT.
- ② KEYWAY ADJACENT TO POSITION 2 IS COLOR CODED WITH YELLOW INK.
- ③ CONNECTOR TO MATE WITH AMP PART NUMBER 862004-1.
- ④ MARKED PER MIL-STD-130.



SILICONE COATED FEP WIRE COLOR: WHITE	869040-2
TEFLON INSULATED WIRE	869040-1
WIRE TYPE	PART NO.

THIS DRAWING IS A CONTROLLED DOCUMENT.		DWN P. HEPNER 6-5-87	TE Connectivity	
DIMENSIONS: INCHES		CHK M. GARDNER 6-8-87		
TOLERANCES UNLESS OTHERWISE SPECIFIED:		APVD -	NAME	
0 PLC ± -		PRODUCT SPEC -	CONNECTOR ASSY, 7 POSITION	
1 PLC ± -		APPLICATION SPEC -	-	
2 PLC ± .02		WEIGHT 0.000000	SIZE A2	CAGE CODE 00779
3 PLC ± -		FINISH -	DRAWING NO C=869040	RESTRICTED TO -
4 PLC ± -		CUSTOMER DRAWING		
ANGLES ± -		SCALE 2:1	SHEET 1 of 1	REV G

单击下面可查看定价，库存，交付和生命周期等信息

[>>TE Connectivity\(泰科\)](#)