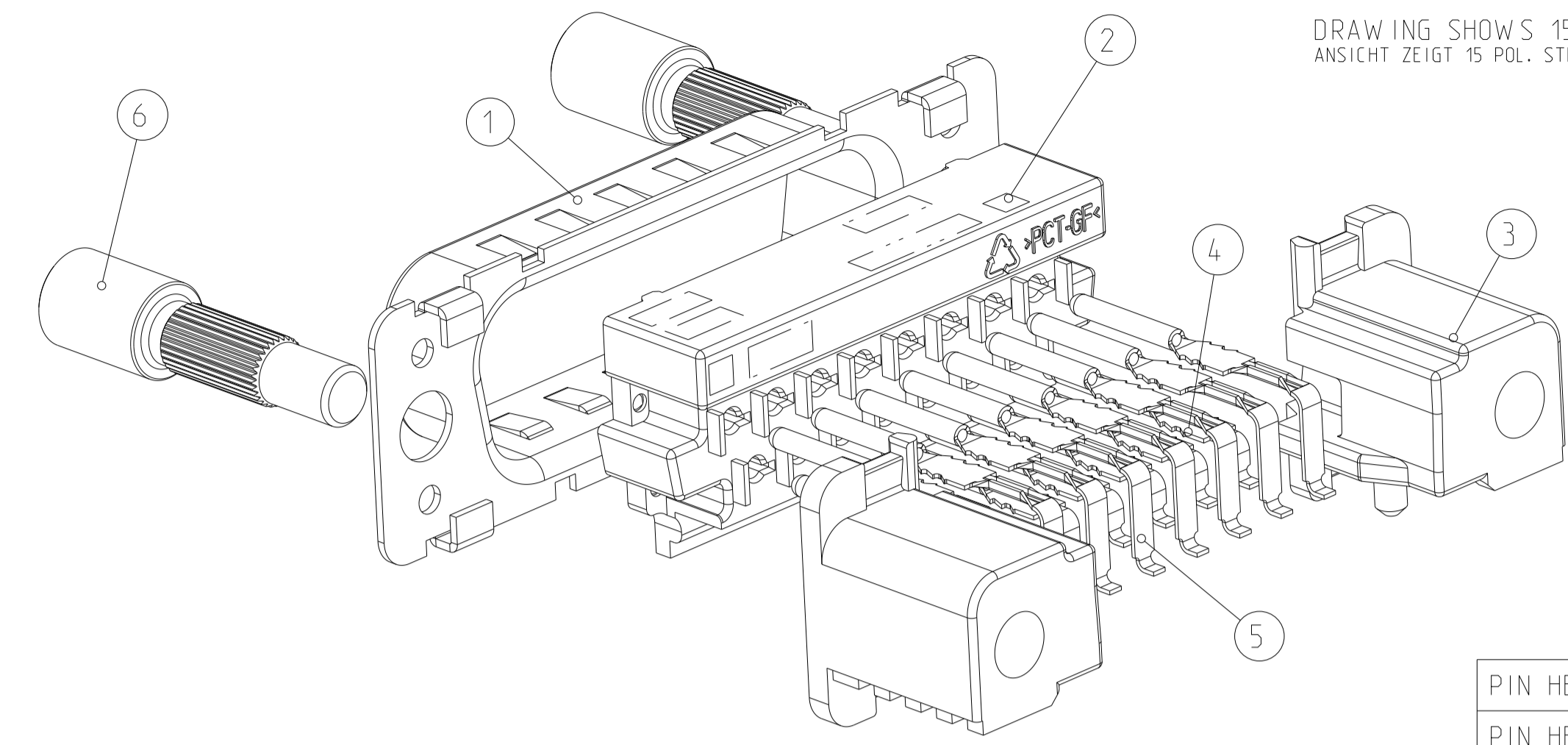
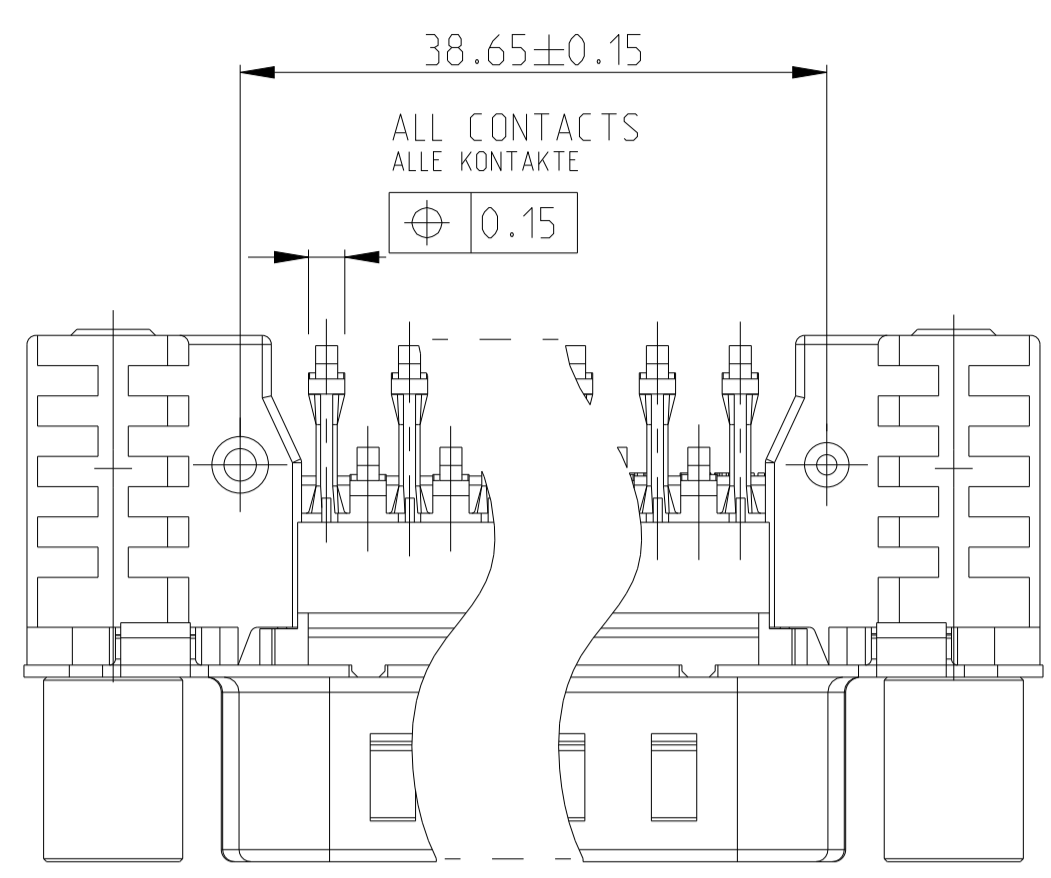


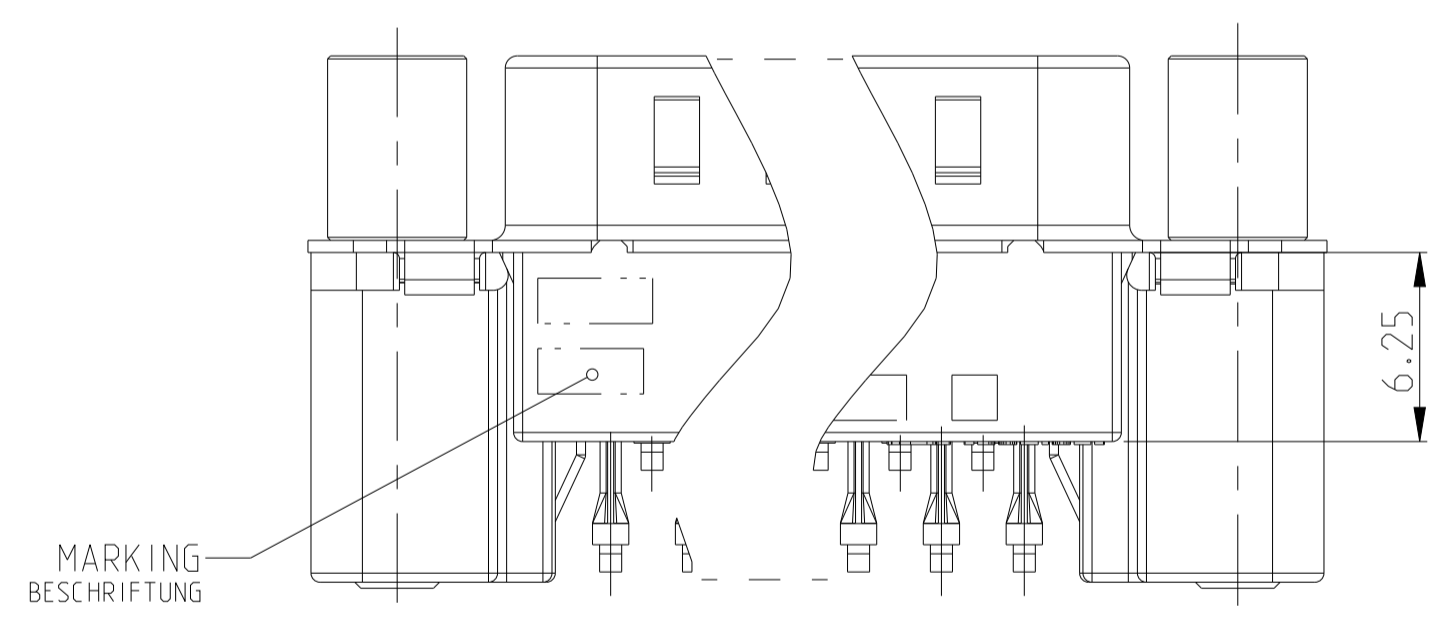
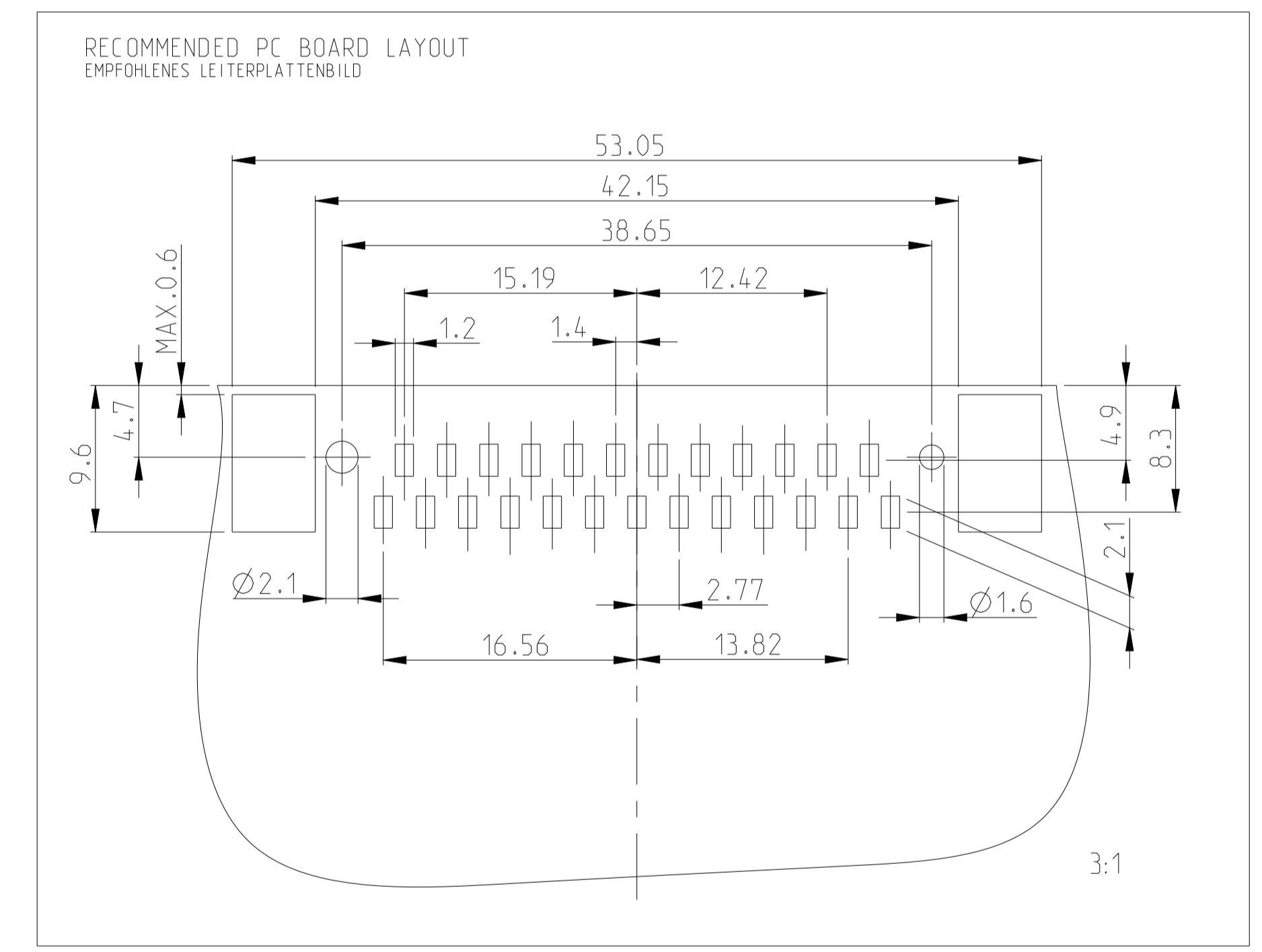
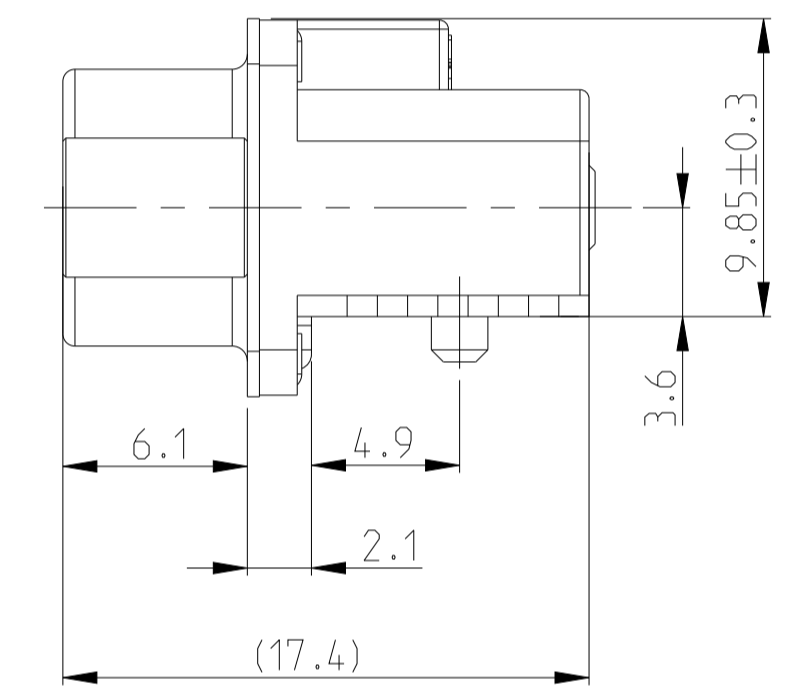
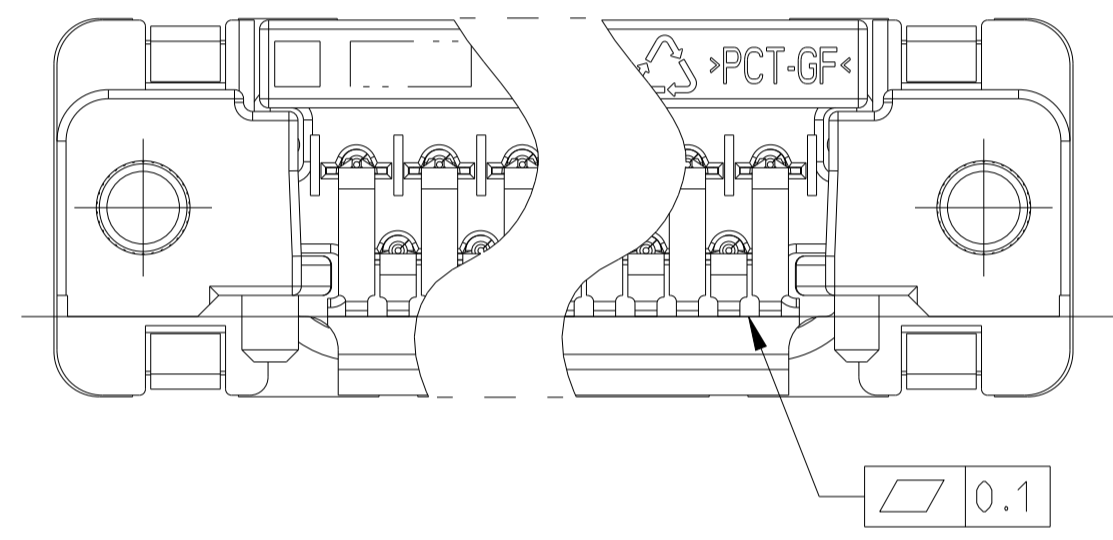
LOC	DIST	REV	LTN	REVISIONS ÄNDERUNGEN	DATE	OWN	APVD
A1	-	C1	PCN-10-001404	DESCRIPTION BESCHREIBUNG	06APR2010	-	-
		D	ECR-10-012464		29SEP10	RK	KMA
		E1	ECR-21-104031		06OCT2021	RR	SZ



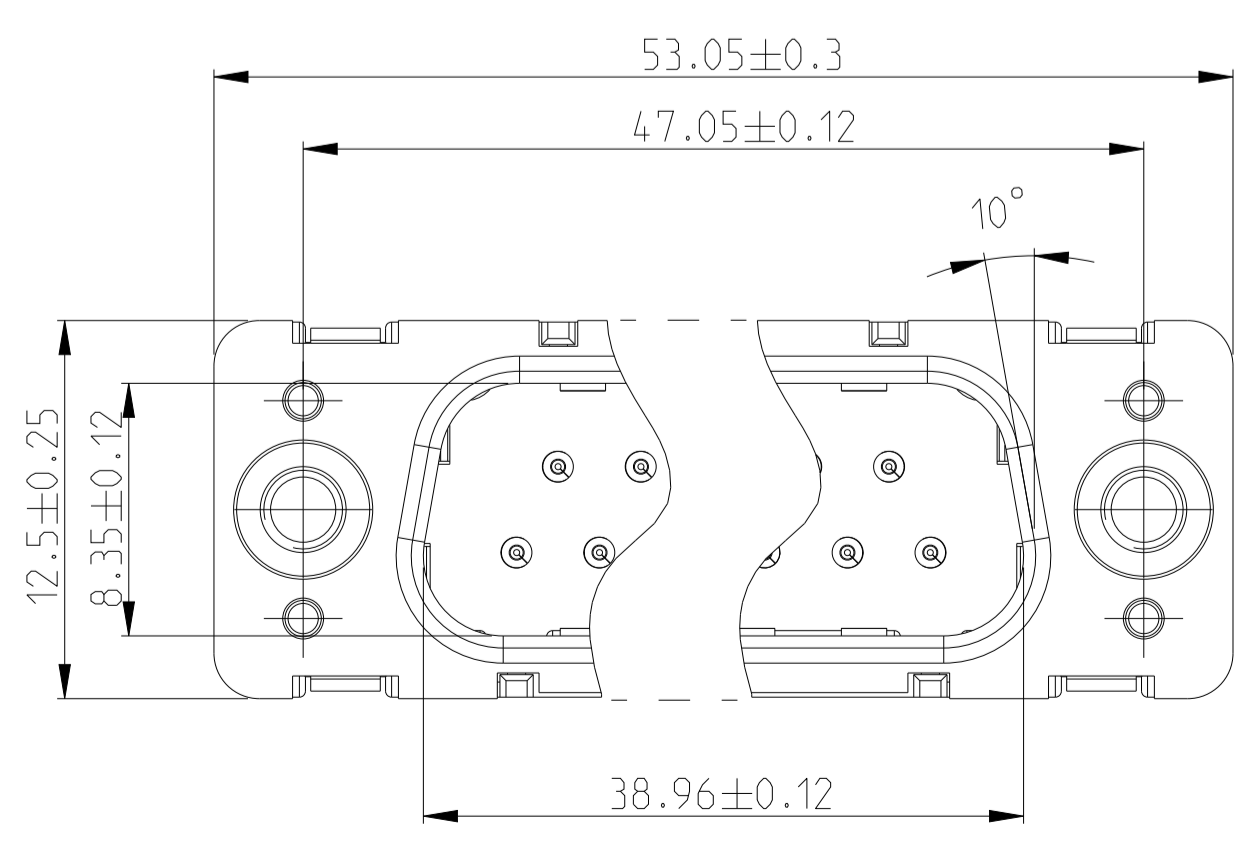
DRAWING SHOWS 15 POS. CONNECTOR  
 ANSICHT ZEIGT 15 POL. STECKER

PIN HEADER, 25 POS., STUD WITH THREAD M3	4-1740199-2	4-1740199-5
PIN HEADER, 25 POS., BRACKET WITH THREAD M3	2-1740199-2	2-1740199-5
PIN HEADER, 25 POS., STUD WITH THREAD UNC 4-40	<del>3-1740199-2</del>	3-1740199-5
PIN HEADER, 25 POS., BRACKET WITH THREAD UNC 4-40	<del>1-1740199-2</del>	1-1740199-5
PIN HEADER, 25 POS., BRACKET WITH HOLE Ø3.1	0-1740199-2	0-1740199-5
DESCRIPTION	SHELL PLATING: TIN OVER NI	SHELL PLATING: NI

OBSOLETE  
 OBSOLETE



- REMARKS:
- 1 CONTACT AREA: min. 0.8 µm Au OVER 1.27 µm Ni, SOLDER AREA: 3-5 µm Sn OVER min. 1.27 µm Ni
  - 2 PACKAGING SEE SHEET 2
  - 3 CONNECTOR SUITABLE TO LEAD-FREE SMT SOLDER PROCESS
  - 4 TIN OVER NICKEL

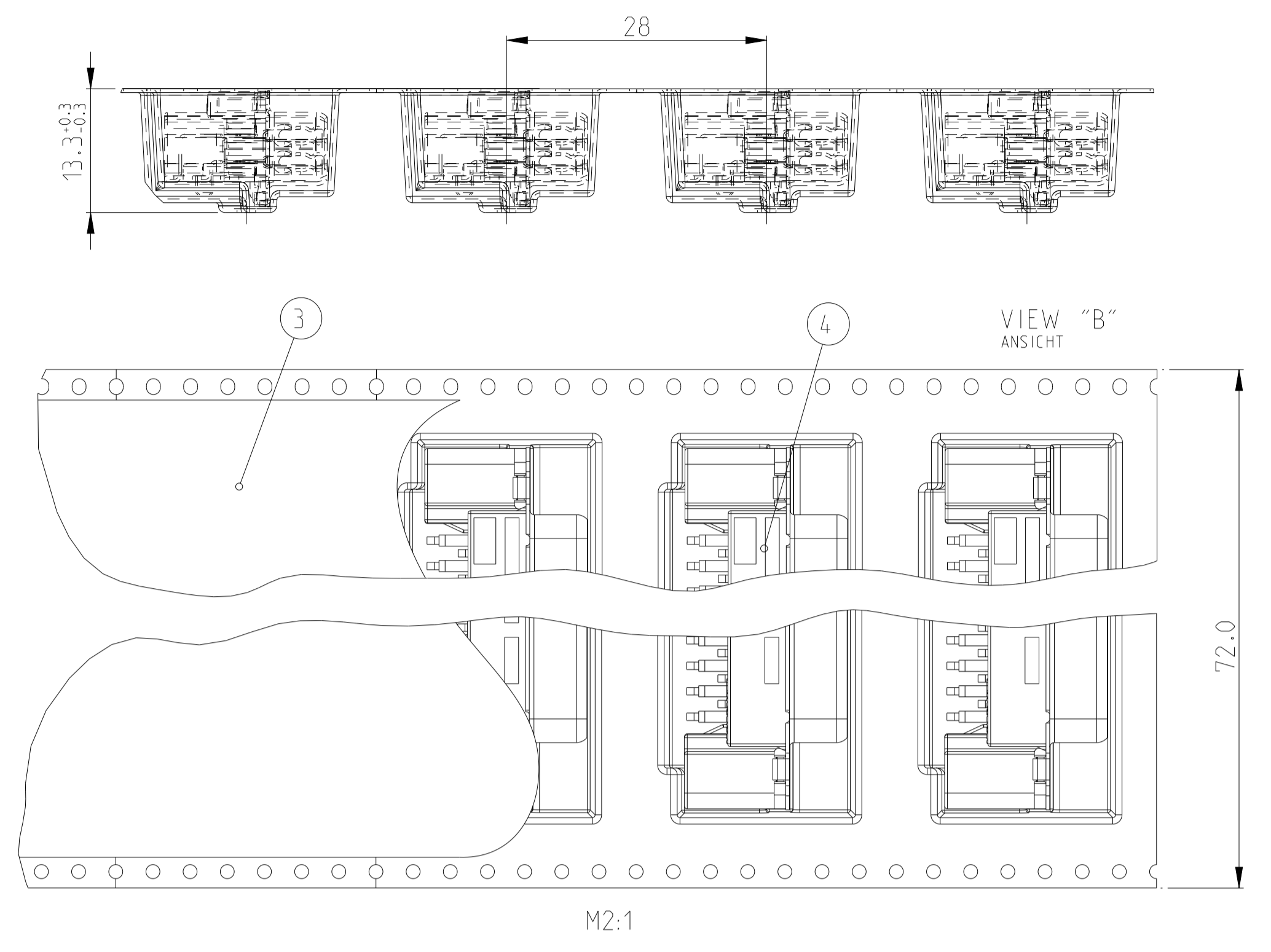
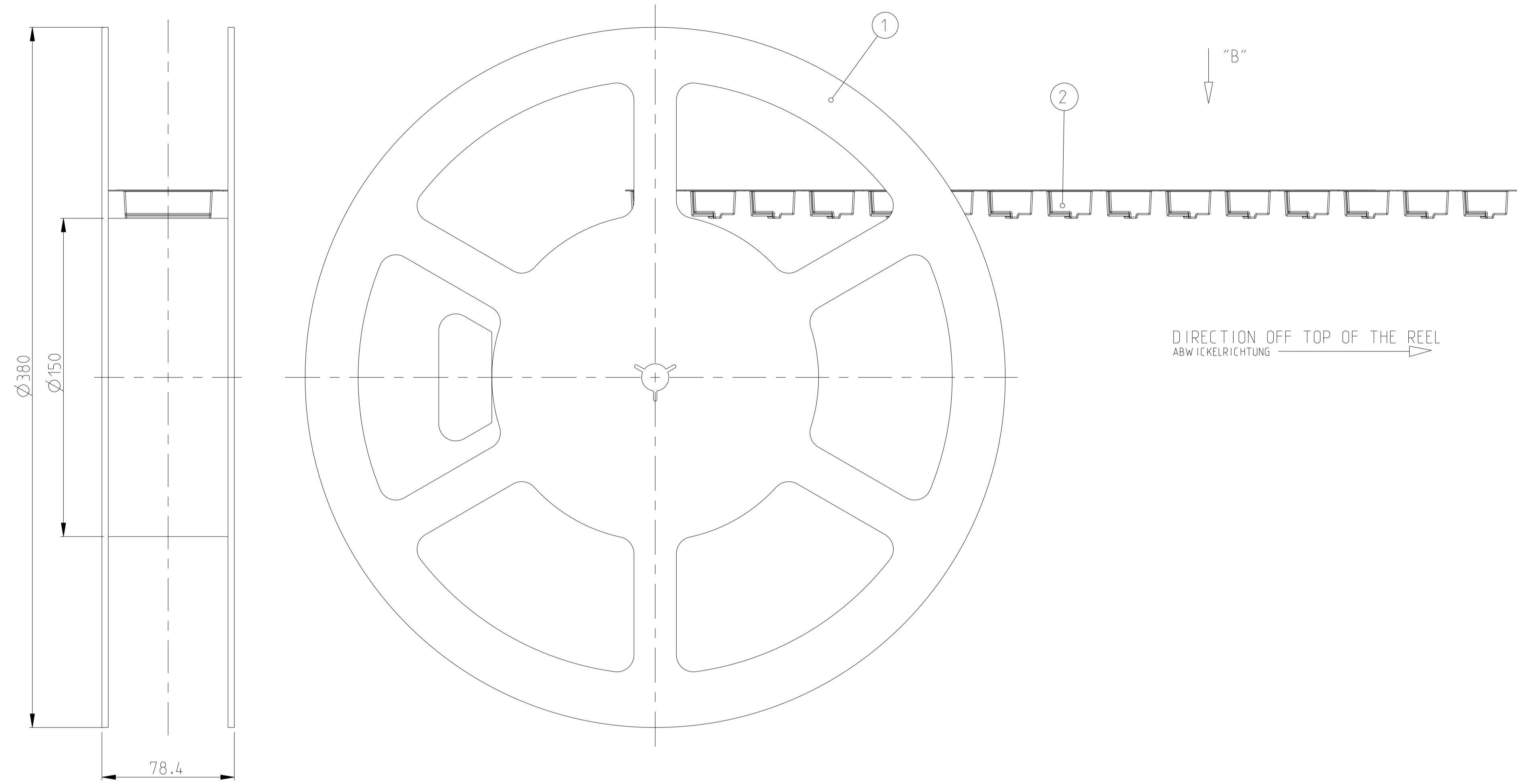


- BEMERKUNGEN:
- 1 KONTAKTBEREICH: min. 0.8 µm Au UEBER 1.27 µm Ni, LOETBEREICH: 3-5 µm Sn UEBER min. 1.27 µm Ni
  - 2 VERPACKUNGSART SIEHE BLATT 2
  - 3 STECKER GEEIGNET FUER BLEIFREIES LOETEN
  - 4 ZINN UEBER NICKEL

POS.	QTY.	DESCRIPTION BENENNUNG	SURFACE OBERFLAECHE COLOUR/FARBE	MATERIAL
6	2	THREAD STUD GEWINDEBOLZEN	NICKEL	STEEL STAHL
5	13	PIN CONTACT, SMD, LONG STIFTKONTAKT, SMD, LANG	▲	CuMg
4	12	PIN CONTACT, SMD, SHORT STIFTKONTAKT, SMD, KURZ	▲	CuMg
3	2	BRACKET, SMD, LEFT/RIGHT WINKELSTUECK, SMD, LINKS/RECHTS	▲	CAST METAL DRUCKGUSS
2	1	PIN HOUSING STIFTGEHAEUSE	BLACK SCHWARZ	PCT-GF
1	1	SHELL SCHIRMBLECH	SEE TABLE SIEHE TABELLE	STEEL STAHL

THIS DRAWING IS UNPUBLISHED VERBODEN TO PUBLISHEREN RELEASED FOR PUBLICATION FÜR LIEFERKONFIRMATION DEC 2004 MATED WITH PASSEND ZU COPYRIGHT 2004 BY TYCO ELECTRONICS CORPORATION. ALL RIGHTS RESERVED. ALLE RECHTE VORBEHALTEN.		DWN L.SCHLUETER 30NOV2004 CHK M.SCHAARSHMIDT 01DEC2004 APVD G.FELDMAYER 01DEC2004	Tyco Electronics Tyco Electronics AMP GmbH 64625 Bensheim (Germany)
DIMENSIONS: MASSENHEITEN: (MM)	TOLERANCES UNLESS OTHERWISE SPECIFIED: ALLGEMEINTOLERANZEN	NAME HDP20 PIN HEADER, SMT, 25 POS. HDP20 STIFTLISTE, SMT, 25 POL. EUROSTYLE	SCALE MASSSTAB 4:1
MATERIAL SEE TABLE S-TABELLE	WEIGHT GEWICHT -	SIZE CAGE CODE DRAWING NO. ZEICHNUNGS-NR. A1 00779 1740199	RESTRICTED TO NUR FUER SHEET BLATT 1 OF VON 2 REV E1
CUSTOMER DRAWING		/KUNDENZIECHNUNG	

LOC	DIST	REV	DATE	BY	APPV
A1	-	1	-	-	-



REMARKS:

- COVER TAPE WITH BLISTER BELT WELDED OR PASTED
- BLISTER BELT, COVER AND TAPE ACC. TO DIN/IEC 286 PART 3
- FIRST AND LAST RUNNING OF THE CARRIER TAPE ACC. TO DIN/IEC 286 PART 3
- 6.4m BLISTERBELT AND 6.5m COVER TAPE, 200 LOOSE PIECE PARTS

BEMERKUNGEN:

- ABDECKBAND MIT BLISTERGURT VERSCHWEISST ODER VERKLEBT
- BLISTERGURT, ABDECKBAND UND REEL NACH DIN/IEC 286 TEIL 3
- VOR- UND NACHLAUF AM BLISTERGURT NACH DIN/IEC 286 TEIL 3
- 6.4m BLISTERGURT UND 6.5m ABDECKBAND, 200 EINZELTEILE

TE ORDER NO. BESTELL-NR.	POS.	PARTS					DESCRIPTION BENENNUNG	SURFACE OBERFLAECHE COLOUR/FARBE	MATERIAL
		4-1740199-5	3-1740199-5	2-1740199-5	1-1740199-5	0-1740199-5			
1740199	4	200	-	-	-	-	SUB-D PIN HEADER, 25 POS., STUD M3 SUB-D STIFTSTECKER, 25 POL., BOLZEN M3	-	-
	4	-	200	-	-	-	SUB-D PIN HEADER, 25 POS., STUD UNC4-40 SUB-D STIFTSTECKER, 25 POL., BOLZEN UNC4-40	-	-
	4	-	-	200	-	-	SUB-D PIN HEADER, 25 POS., M3 SUB-D STIFTSTECKER, 25 POL., M3	-	-
	4	-	-	-	200	-	SUB-D PIN HEADER, 25 POS., UNC4-40 SUB-D STIFTSTECKER, 25 POL., UNC4-40	-	-
	4	-	-	-	-	200	SUB-D PIN HEADER, 25 POS. SUB-D STIFTSTECKER, 25 POL.	-	-
	3	6.5m	6.5m	6.5m	6.5m	6.5m	COVER BELT FOR BLISTER BELT ABDECKBAND FUER BLISTERGURT	TRANSPARENT	PET
2	6.4m	6.4m	6.4m	6.4m	6.4m	BLISTER BELT BLISTERGURT	GREY/BLACK GRAU/SCHWARZ	PS	
1	1	1	1	1	1	REEL SPULE	GREY GRAU	PS	

DIMENSIONS: mm 	TOLERANCES UNLESS OTHERWISE SPECIFIED: 0 PLC # 1 PLC # 2 PLC # 3 PLC # 4 PLC # ANGLES #° MATERIAL: SEE TABLE S-TABELLE FINISH: SEE TABLE S-TABELLE	DWG: L. SCHLUETER CHK: M. SCHAARSCHEMIDT APVD: G. ELDOMEIER DATE: 30NOV2004 NAME: HDP20 PIN HEADER, SMT, 25 POS. HDP20 STIFTLISTE, SMT, 25 POL. EUROSTYLE SCALE: 1:1 SHEET: 2 OF 2 REV: E1	Tyco Electronics AMP GmbH 64625 Bensheim (Germany)
-----------------------	--	---	---

单击下面可查看定价，库存，交付和生命周期等信息

[>>TE Connectivity\(泰科\)](#)