

THIS DRAWING IS UNPUBLISHED.


RELEASED FOR PUBLICATION

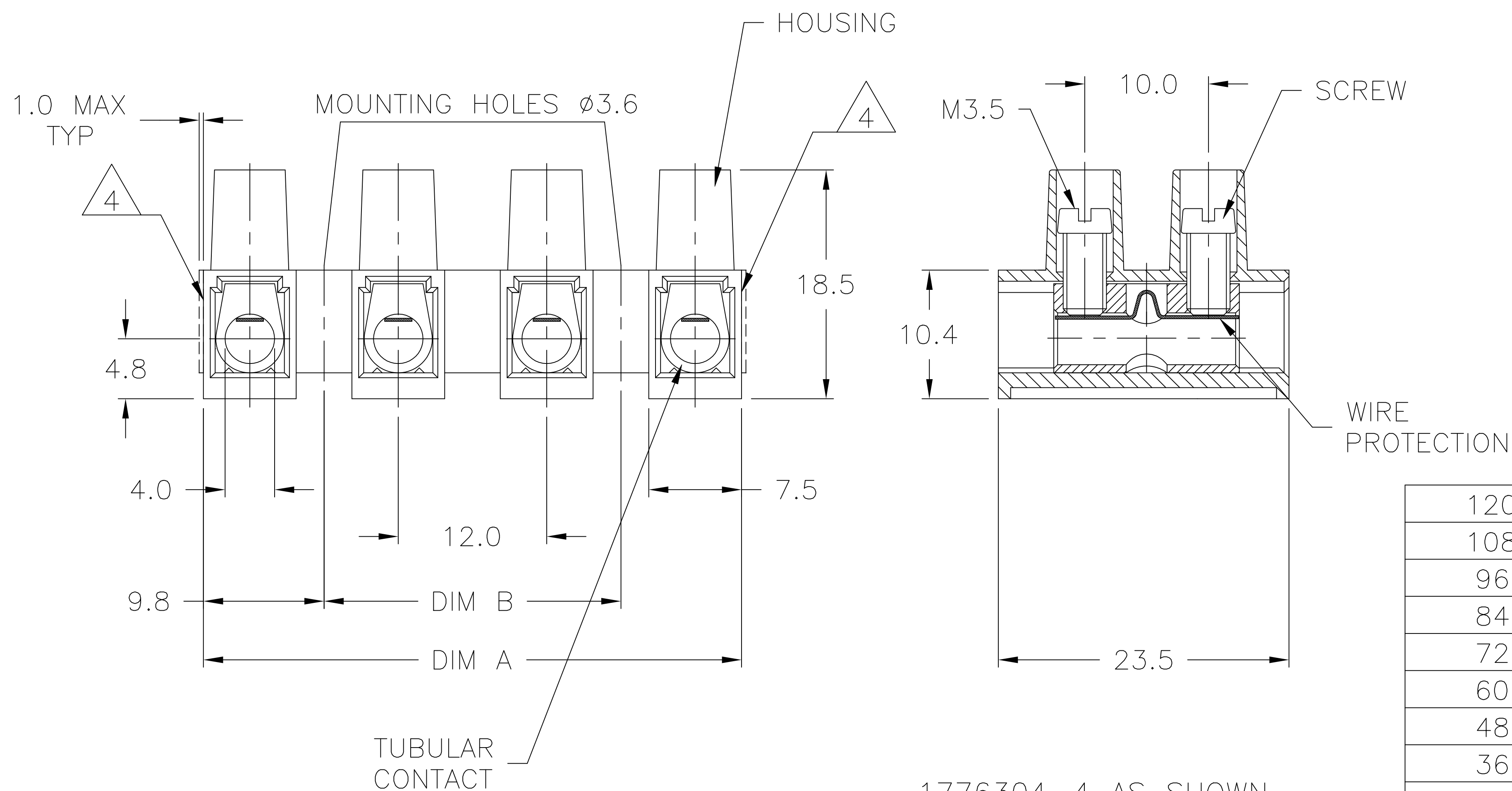
© COPYRIGHT - TE Connectivity Ltd.

ALL RIGHTS RESERVED.

REVISIONS

| P | LTR | DESCRIPTION | DATE | DWN | APVD |
|---|-----|----------------------------|-----------|-----|------|
| | A2 | CUTTING BURR DETAILS ADDED | 19NOV2018 | RK | PS |


- MATERIAL:
HOUSING: POLYAMIDE 6/6, UL94V-0.
COLOR: BROWN.
TUBULAR CONTACT: TIN PLATED, BRASS.
SCREW: M3.5 STEEL, ZINC PLATED W/ NON-HEXAVALENT CHROMATE (CHROME III).
WIRE PROTECTOR: STAINLESS STEEL.
- CURRENT RATING: 40A.
OPERATING VOLTAGE: 250V.
WIRE RANGE: 10-24 AWG.
- CONTINUOUS WORKING TEMP.: -50°C TO +160°C.
-  CUTTING PROJECTION CAN BE ON BOTH SIDES DEPENDING ON CUTTING LOCATION.
- CUTTING BURR MAX. 1mm ALLOWED.



1776304-4 AS SHOWN

OBSOLETE

| | | | | |
|-------|-------|-------------|----------------|----------------|
| 120.0 | 139.5 | 12 | TSB100012DSHT | 1-1776304-2 |
| 108.0 | 127.5 | 11 | TSB100011DSHT | 1-1776304-1 |
| 96.0 | 115.5 | 10 | TSB100010DSHT | 1-1776304-0 |
| 84.0 | 103.5 | 9 | TSB100009DSHT | 1776304-9 |
| 72.0 | 91.5 | 8 | TSB100008DSHT | 1776304-8 |
| 60.0 | 79.5 | 7 | TSB100007DSHT | 1776304-7 |
| 48.0 | 67.5 | 6 | TSB100006DSHT | 1776304-6 |
| 36.0 | 55.5 | 5 | TSB100005DSHT | 1776304-5 |
| 24.0 | 43.5 | 4 | TSB100004DSHT | 1776304-4 |
| 12.0 | 31.5 | 3 | TSB100003DSHT | 1776304-3 |
| - | 19.5 | 2 | TSB100002DSHT | 1776304-2 |
| - | 7.5 | 1 | TSB100001DSHT | 1776304-1 |
| DIM B | DIM A | NO. OF POS. | CATALOG NUMBER | TE PART NUMBER |

| | | | | | | |
|--|------------------|------------------------|--|-----------|------------|---------------|
| THIS DRAWING IS A CONTROLLED DOCUMENT. | | DWN S SCHLEGEL 3/21/05 |  TE Connectivity Ltd. | | | |
| DIMENSIONS: mm | | CHK C RICHARD 3/21/05 | | | | |
| TOLERANCES UNLESS OTHERWISE SPECIFIED: | | APVD C RICHARD 3/21/05 | NAME 12mm PITCH, EUROPA TERMINAL BLOCK HIGH TEMP. | | | |
| 0 PLC ± - | | PRODUCT SPEC | | | | |
| 1 PLC ± 0.7 | | APPLICATION SPEC | SIZE | CAGE CODE | DRAWING NO | RESTRICTED TO |
| 2 PLC ± 0.25 | | WEIGHT | A3 | 00779 | ©=1776304 | - |
| 3 PLC ± - | | CUSTOMER DRAWING | SCALE | SHEET | REV | |
| 4 PLC ± - | | | NTS | 1 of 1 | A2 | |
| ANGLES ± 2' | | | | | | |
| MATERIAL SEE NOTES | FINISH SEE NOTES | | | | | |

单击下面可查看定价，库存，交付和生命周期等信息

[>>TE Connectivity\(泰科\)](#)