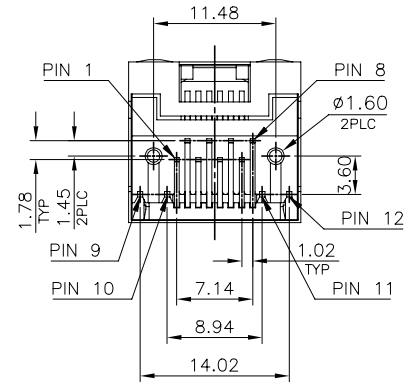


- NOTE:
- MATERIAL:
 - HOUSING: PA46, WITH 30% GF, UL94 V-0, BLACK COLOR.
 - INSERT HOUSING: PA46, WITH 30% GF, UL94 V-0, BLACK COLOR.
 - CONTACTS: PHOSPHOR BRONZE.
 - SHELL: BRASS.
 - LED SOLDER TAIL: STEEL.
 - MYLAR: SILICONE POLYMER.
 - FINISH:
 - CONTACTS: (SEE TABLE) GOLD PLATED ON CONTACT AREA. GOLD FLASH ON SOLDER TAIL. 1.27um [50u"] MIN. NICKEL UNDERPLATED OVERALL.
 - SHELL: 0.508um [20u"] MIN. NICKEL PLATED.
 - LED: 1.02um [40u"] COPPER UNDERPLATED OVERALL. 0.2032um [8u"] NICKEL OVERALL. 0.254um [10u"] SILVER ON BONDING AREA. 0.2032um [80u"] BRIGHT-TIN ON SOLDER AREA.
 - LED MUST BE REFLOW COMPATIBLE TO FOLLOWING TEMPERATURE PROFILE (FOR 1 CYCLE): ABOVE 160°C FOR 120 SECONDS, PEAKING AT 220°C FOR 10 SECONDS.
 - LED DEFECT RATE IS 6000 PPM MAX. AFTER IR REFLOW PROCESS AS NOTE 3.
 - WAVE SOLDER CAPABLE TO 265°C PER TE SPEC 109-202, CONDITION B.
- ⚠️ OBSOLETE PARTS: OBSOLETE CIS STREAMLINING PER D.RENAUD/D.SINISI.



⚠️ OBSOLETE	REEL	2.2	YELLOW	GREEN	1.27um[50u"]	1-1734324-8
					0.762um[30u"]	1-1734324-7
⚠️ OBSOLETE	TRAY	2.2	GREEN	YELLOW	0.381um[15u"]	1-1734324-6
					0.152um[6u"]	1-1734324-5
⚠️ OBSOLETE	TRAY	2.2	YELLOW	GREEN	1.27um[50u"]	1-1734324-4
					0.762um[30u"]	1-1734324-3
⚠️ OBSOLETE	TRAY	2.2	GREEN	YELLOW	0.381um[15u"]	1-1734324-2
					0.152um[6u"]	1-1734324-1
⚠️ OBSOLETE	TRAY	2.2	YELLOW	GREEN	1.27um[50u"]	1-1734324-8
					0.762um[30u"]	1734324-7
⚠️ OBSOLETE	TRAY	2.2	GREEN	YELLOW	0.381um[15u"]	1-1734324-6
					0.152um[6u"]	1734324-5
⚠️ OBSOLETE	TRAY	2.2	GREEN	YELLOW	1.27um[50u"]	1-1734324-4
					0.762um[30u"]	1734324-3
⚠️ OBSOLETE	TRAY	2.2	YELLOW	GREEN	0.381um[15u"]	1-1734324-2
					0.152um[6u"]	1734324-1
	PACKAGE	DIM A	POSITION 2	POSITION 1	MIN. GOLD THICKNESS	PART NUMBER

THIS DRAWING IS A CONTROLLED DOCUMENT.

DWN	A. WU	04MAR2008	TE Connectivity
CHK	S. HOU	04MAR2008	
APP'D	W. KODAMA	04MAR2008	
DIMENSIONS: mm TOLERANCES UNLESS OTHERWISE SPECIFIED: 0 PLC ± 1 PLC ±0.3 2 PLC ±0.2 3 PLC ±0.15 4 PLC ± ANGLES ±3°			NAME: MODULAR JACK CONNECTOR RJ45 WITH LED, 8P8C, SHIELDED TAB DOWN, DIP TYPE, H=11.3mm
MATERIAL: SEE NOTE FINISH: SEE NOTE			APPLIC. SPEC: 108-57535 WEIGHT: 4.5 GRAMS CUSTOMER DRAWING
SIZE: A3 CAGE CODE: 00779 DRAWING NO: 1734324 RESTRICTED TO:		SCALE: 1 OF 7 SHEET REV: A6	

4

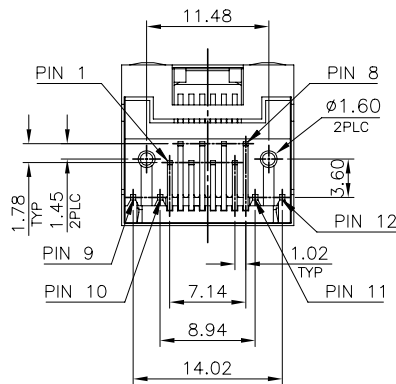
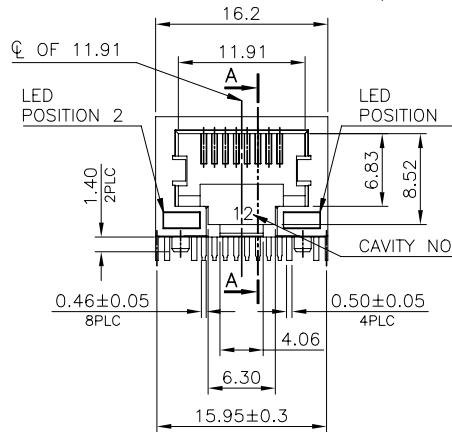
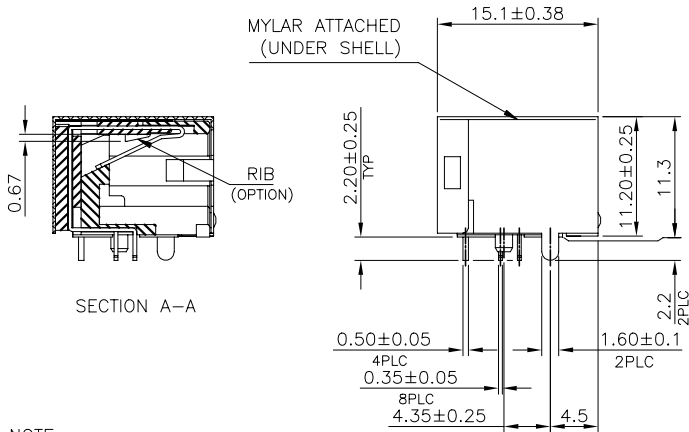
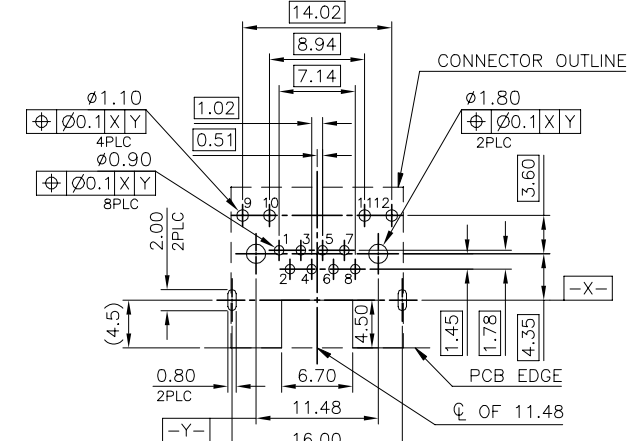
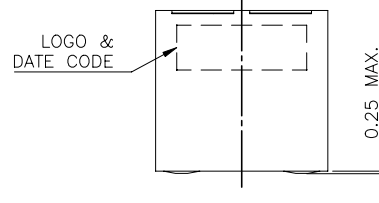
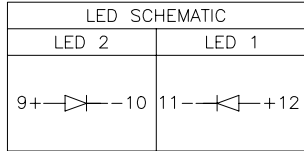
3

2

1

THIS DRAWING IS UNPUBLISHED. RELEASED FOR PUBLICATION
COPYRIGHT 2010 BY TYCO ELECTRONICS CORPORATION. ALL RIGHTS RESERVED.

LOC	DIST	REVISIONS					
DW		P	LTR	DESCRIPTION	DATE	DWN	APVD
		SEE SHEET 1.					



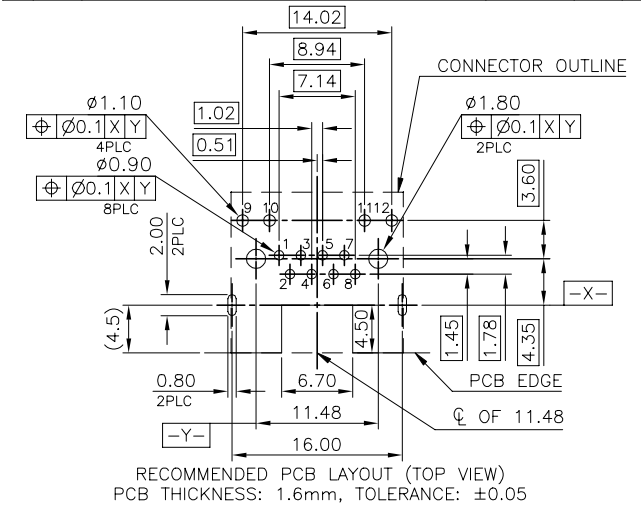
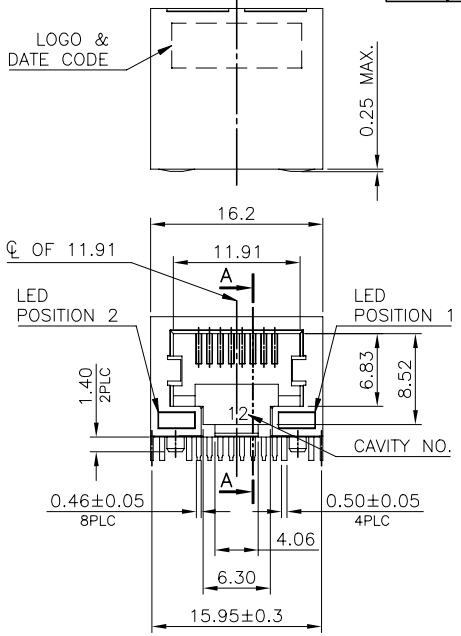
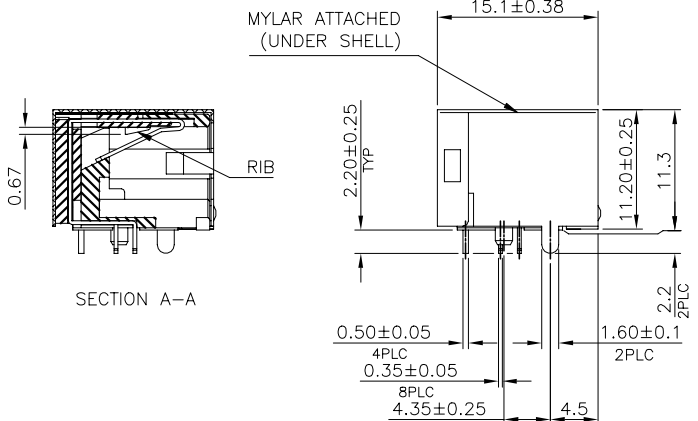
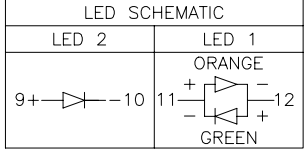
NOTE:

- MATERIAL:
 - HOUSING: PA46, WITH 30% GF, UL94 V-0, BLACK COLOR.
 - INSERT HOUSING: PA46, WITH 30% GF, UL94 V-0, BLACK COLOR.
 - CONTACTS: PHOSPHOR BRONZE.
 - SHELL: BRASS.
 - LED SOLDER TAIL: STEEL.
 - MYLAR: SILICONE POLYMER.
 - FINISH:
 - CONTACTS: (SEE TABLE) GOLD PLATED ON CONTACT AREA. GOLD FLASH ON SOLDER TAIL.
1.27um [50u"] MIN. NICKEL UNDERPLATED OVERALL.
 - SHELL: 0.508um [20u"] MIN. NICKEL PLATED.
 - LED: 1.02um [40u"] COPPER UNDERPLATED OVERALL.
0.2032um [8u"] NICKEL OVERALL.
0.254um [10u"] SILVER ON BONDING AREA.
0.2032um [80u"] BRIGHT-TIN ON SOLDER AREA.
 - LED MUST BE REFLOW COMPATIBLE TO FOLLOWING TEMPERATURE PROFILE (FOR 1 CYCLE): ABOVE 160°C FOR 120 SECONDS, PEAKING AT 220°C FOR 10 SECONDS.
 - LED DEFECT RATE IS 6000 PPM MAX. AFTER IR REFLOW PROCESS AS NOTE 3.
 - WAVE SOLDER CAPABLE TO 265°C PER TE SPEC 109-202, CONDITION B.
- △ OBSOLETE PARTS: OBSOLETE CIS STREAMLINING PER D.RENAUD/D.SINISI.

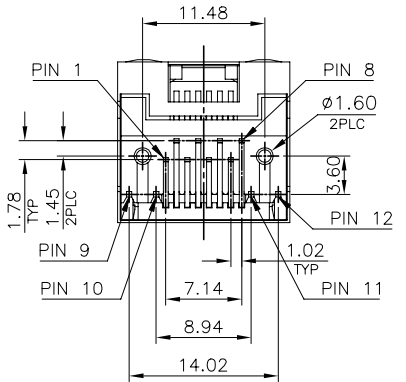
△	STATUS	TAPE & REEL	TRAY	POSITION 2	POSITION 1	MIN. GOLD THICKNESS	PART NUMBER
△	OBSOLETE			YELLOW	GREEN	1.27um[50u"]	4734324-6
						0.762um[30u"]	4734324-7
						0.381um[15u"]	4734324-6
						0.152um[6u"]	4734324-5
	OBSOLETE	W/O TAPE & REEL		GREEN	YELLOW	1.27um[50u"]	4734324-4
						0.762um[30u"]	4734324-3
						0.381um[15u"]	4734324-2
						0.152um[6u"]	4734324-1
△	OBSOLETE		W/ TRAY	YELLOW	GREEN	1.27um[50u"]	4734324-8
						0.762um[30u"]	4734324-7
						0.381um[15u"]	4734324-6
						0.152um[6u"]	4734324-5
						1.27um[50u"]	4734324-4
						0.762um[30u"]	4734324-3
						0.381um[15u"]	4734324-2
						0.152um[6u"]	4734324-1

THIS DRAWING IS A CONTROLLED DOCUMENT.

DWN	-	TE Connectivity	NAME		MODULAR JACK CONNECTOR RJ45 WITH LED, 8P8C, SHIELDED TAB DOWN, DIP TYPE, H=11.3mm		
CHK	-		PRODUCT SPEC				
APVD	-		APPLICATION SPEC				
WEIGHT	-		SIZE	CAGE CODE		DRAWING NO	RESTRICTED TO
MATERIAL		FINISH		A3	00779	G=1734324	-
CUSTOMER DRAWING		SCALE		SHEET		2 OF 7	
						REV A6	



- NOTE:
- MATERIAL:
 - HOUSING: PA46, WITH 30% GF, UL94 V-0, BLACK COLOR.
 - INSERT HOUSING: PA46, WITH 30% GF, UL94 V-0, BLACK COLOR.
 - CONTACTS: PHOSPHOR BRONZE.
 - SHELL: BRASS.
 - LED SOLDER TAIL: STEEL.
 - MYLAR: SILICONE POLYMER.
 - FINISH:
 - CONTACTS: (SEE TABLE) GOLD PLATED ON CONTACT AREA. GOLD FLASH ON SOLDER TAIL. 1.27µm [50u"] MIN. NICKEL UNDERPLATED OVERALL.
 - SHELL: 0.508µm [20u"] MIN. NICKEL PLATED.
 - LED: 1.02µm [40u"] COPPER UNDERPLATED OVERALL. 0.2032µm [8u"] NICKEL OVERALL. 0.254µm [10u"] SILVER ON BONDING AREA. 0.2032µm [80u"] BRIGHT-TIN ON SOLDER AREA.
 - LED MUST BE REFLOW COMPATIBLE TO FOLLOWING TEMPERATURE PROFILE (FOR 1 CYCLE): ABOVE 160°C FOR 120 SECONDS, PEAKING AT 220°C FOR 10 SECONDS.
 - LED DEFECT RATE IS 6000 PPM MAX. AFTER IR REFLOW PROCESS AS NOTE 3.
 - WAVE SOLDER CAPABLE TO 265°C PER TE SPEC 109-202, CONDITION B.
- ⚠️ OBSOLETE PARTS: OBSOLETE CIS STREAMLINING PER D.RENAUD/D.SINISI.

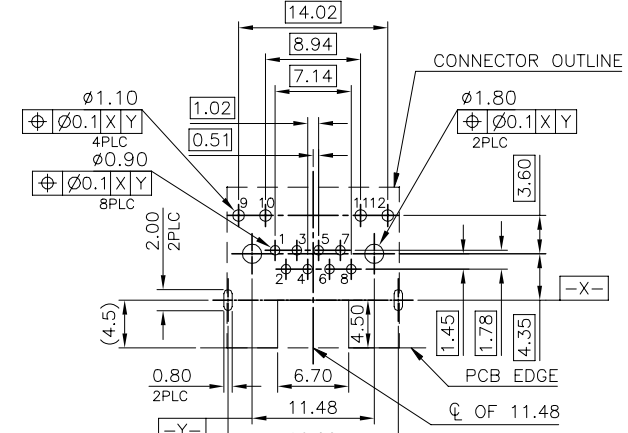
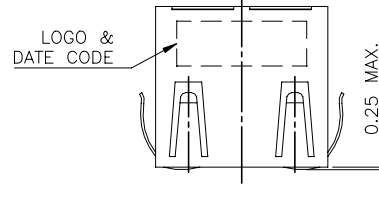
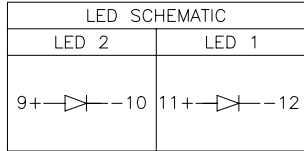


⚠️ OBSOLETE	TRAY	GREEN	ORANGE/GREEN	1.27µm[50u"]	4-1734324-4	
				0.762µm[30u"]	4-1734324-3	
				0.381µm[15u"]	4-1734324-2	
				0.152µm[6u"]	4-1734324-1	
	PACKAGE		POSITION 2	POSITION 1	MIN. GOLD THICKNESS	PART NUMBER

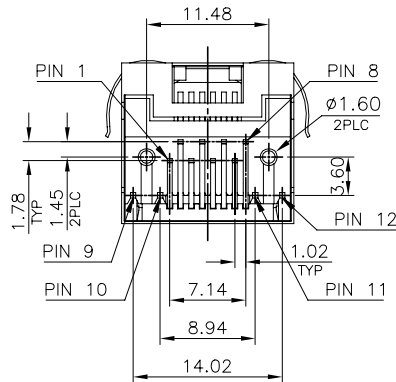
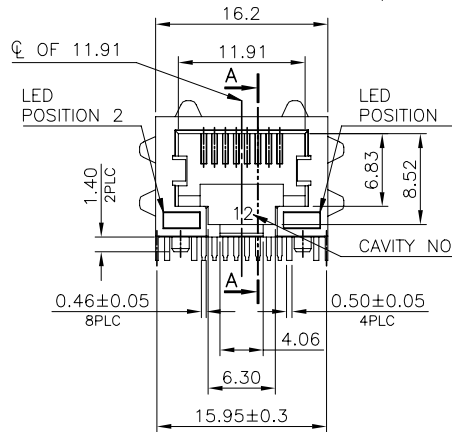
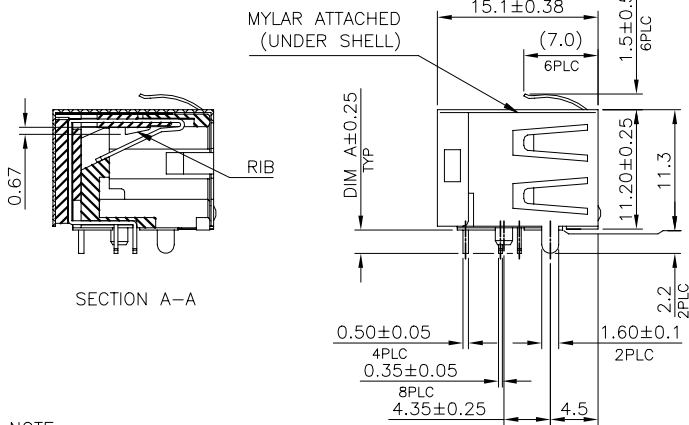
THIS DRAWING IS A CONTROLLED DOCUMENT.

DIMENSIONS: mm	TOLERANCES UNLESS OTHERWISE SPECIFIED:	DWN		TE Connectivity		
0 PLC ±	1 PLC ±0.3	CHK	NAME			
2 PLC ±0.2	3 PLC ±0.15	APVD	MODULAR JACK CONNECTOR			
4 PLC ±	ANGLES ±3°	PRODUCT SPEC	RJ45 WITH LED, 8P8C, SHIELDED			
MATERIAL	FINISH	APPLICATION SPEC	SIZE	CAGE CODE	DRAWING NO	RESTRICTED TO
		WEIGHT	A3	00779	C=1734324	
		CUSTOMER DRAWING	SCALE	SHEET	3 OF 7	REV A6

THIS DRAWING IS UNPUBLISHED.		RELEASED FOR PUBLICATION		LOC DW		DIST		REVISIONS				
COPYRIGHT 2010 BY TYCO ELECTRONICS CORPORATION. ALL RIGHTS RESERVED.								DESCRIPTION		DATE	DWN	APVD
								SEE SHEET 1.				



RECOMMENDED PCB THICKNESS	DIM A
1.6	2.2
2.0	3.5



NOTE:

1. MATERIAL:

- 1.1 HOUSING: PA46, WITH 30% GF, UL94 V-0, BLACK COLOR.
- 1.2 INSERT HOUSING: PA46, WITH 30% GF, UL94 V-0, BLACK COLOR.
- 1.3 CONTACTS: PHOSPHOR BRONZE.
- 1.4 SHELL: BRASS.
- 1.5 LED SOLDER TAIL: STEEL.
- 1.6 MYLAR: SILICONE POLYMER.

2. FINISH:

- 2.1 CONTACTS: (SEE TABLE) GOLD PLATED ON CONTACT AREA. GOLD FLASH ON SOLDER TAIL. 1.27µm [50u"] MIN. NICKEL UNDERPLATED OVERALL.
- 2.2 SHELL: 0.508µm [20u"] MIN. NICKEL PLATED.
- 2.3 LED: 1.02µm [40u"] COPPER UNDERPLATED OVERALL. 0.2032µm [8u"] NICKEL OVERALL. 0.254µm [10u"] SILVER ON BONDING AREA. 0.2032µm [80u"] BRIGHT-TIN ON SOLDER AREA.

3. LED MUST BE REFLOW COMPATIBLE TO FOLLOWING

TEMPERATURE PROFILE (FOR 1 CYCLE): ABOVE 160°C FOR 120 SECONDS, PEAKING AT 220°C FOR 10 SECONDS.

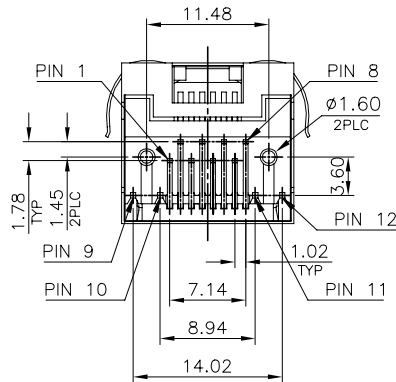
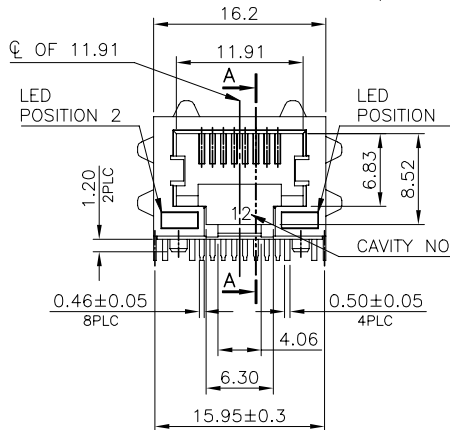
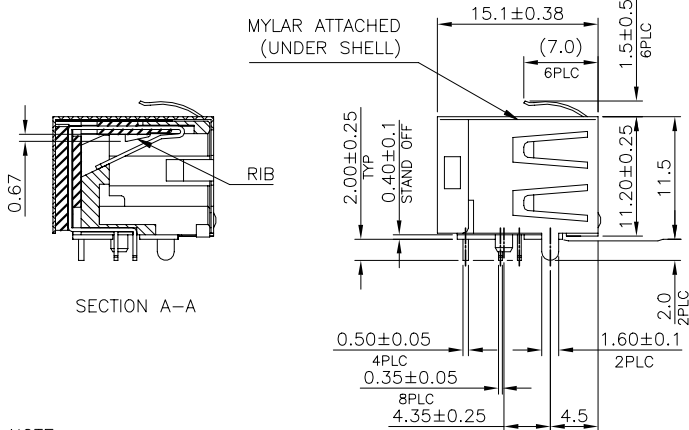
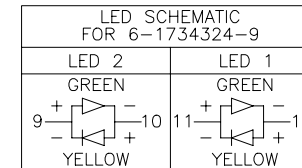
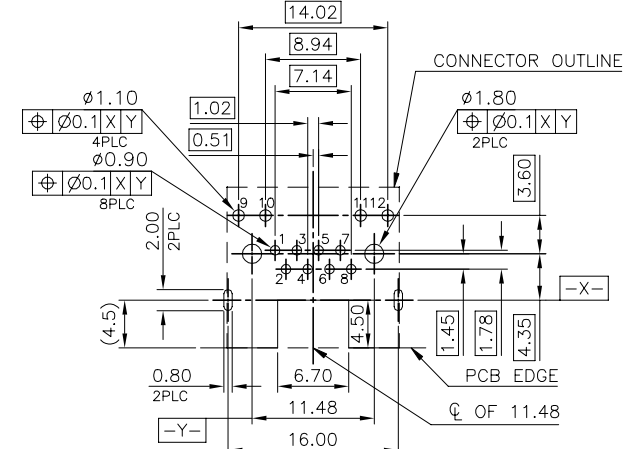
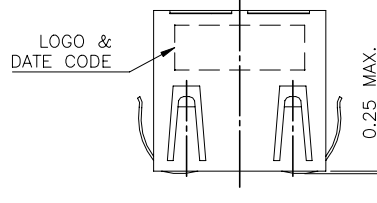
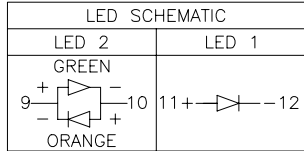
4. LED DEFECT RATE IS 6000 PPM MAX. AFTER IR REFLOW PROCESS AS NOTE 3.

5. WAVE SOLDER CAPABLE TO 265°C PER TE SPEC 109-202, CONDITION B.

△ OBSOLETE PARTS: OBSOLETE CIS STREAMLINING PER D.RENAUD/D.SINISI.

OBSOLETE	TRAY	3.5	GREEN	YELLOW	0.762µm [30u"]	5-1734324-9	
			YELLOW	GREEN	1.27µm [50u"]	5-1734324-8	
			YELLOW	GREEN	0.762µm [30u"]	5-1734324-7	
	OBSOLETE	TRAY	2.2	GREEN	YELLOW	0.381µm [15u"]	5-1734324-6
				GREEN	YELLOW	0.152µm [6u"]	5-1734324-5
				GREEN	YELLOW	1.27µm [50u"]	5-1734324-4
OBSOLETE	PACKAGE	DIM A	POSITION 2	POSITION 1	MIN. GOLD THICKNESS	PART NUMBER	
			GREEN	YELLOW	0.762µm [30u"]	5-1734324-3	
			GREEN	YELLOW	0.381µm [15u"]	5-1734324-2	
			0.152µm [6u"]		5-1734324-1		

THIS DRAWING IS A CONTROLLED DOCUMENT.		DWN		TE Connectivity	
DIMENSIONS: mm		CHK		NAME	
TOLERANCES UNLESS OTHERWISE SPECIFIED:		APVD		PRODUCT SPEC	
0 PLC ±		PRODUCT SPEC		APPLICATION SPEC	
1 PLC ±0.3		APVD		WEIGHT	
2 PLC ±0.2		PRODUCT SPEC		CUSTOMER DRAWING	
3 PLC ±0.15		APVD		SCALE	
4 PLC ±		PRODUCT SPEC		SHEET	
ANGLES ±3'		APVD		REV	
MATERIAL		FINISH		RESTRICTED TO	
				A3 00779 C=1734324	
				4 OF 7	
				A6	



NOTE:

- MATERIAL:
 - HOUSING: PA9T, WITH 30% GF, UL94 V-0, BLACK COLOR.
 - INSERT HOUSING: PA46, WITH 30% GF, UL94 V-0, BLACK COLOR.
 - CONTACTS: PHOSPHOR BRONZE.
 - SHELL: BRASS.
 - LED SOLDER TAIL: STEEL.
 - MYLAR: SILICONE POLYMER.
- FINISH:
 - CONTACTS: (SEE TABLE) GOLD PLATED ON CONTACT AREA. GOLD FLASH ON SOLDER TAIL. 1.27um [50u"] MIN. NICKEL UNDERPLATED OVERALL.
 - SHELL: 0.508um [20u"] MIN. NICKEL PLATED.
 - LED: 1.02um [40u"] COPPER UNDERPLATED OVERALL. 0.2032um [8u"] NICKEL OVERALL. 0.254um [10u"] SILVER ON BONDING AREA. 0.2032um [80u"] BRIGHT-TIN ON SOLDER AREA.
- LED MUST BE REFLOW COMPATIBLE TO FOLLOWING TEMPERATURE PROFILE (FOR 1 CYCLE): ABOVE 160°C FOR 120 SECONDS, PEAKING AT 220°C FOR 10 SECONDS.
- LED DEFECT RATE IS 6000 PPM MAX. AFTER IR REFLOW PROCESS AS NOTE 3.
- WAVE SOLDER CAPABLE TO 265°C PER TE SPEC 109-202, CONDITION B.

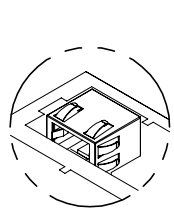
TAPE & REEL	GREEN/YELLOW	GREEN/YELLOW	1.27um[50u"]	6-1734324-9
	TRAY	GREEN/ORANGE	YELLOW	1.27um[50u"]
0.762um[30u"]				6-1734324-7
0.381um[15u"]				6-1734324-6
0.152um[6u"]				6-1734324-5
1.27um[50u"]				6-1734324-4
0.762um[30u"]				6-1734324-3
PACKAGE	POSITION 2	POSITION 1	MIN. GOLD THICKNESS	PART NUMBER
	INDICATOR COLOR			

THIS DRAWING IS A CONTROLLED DOCUMENT.

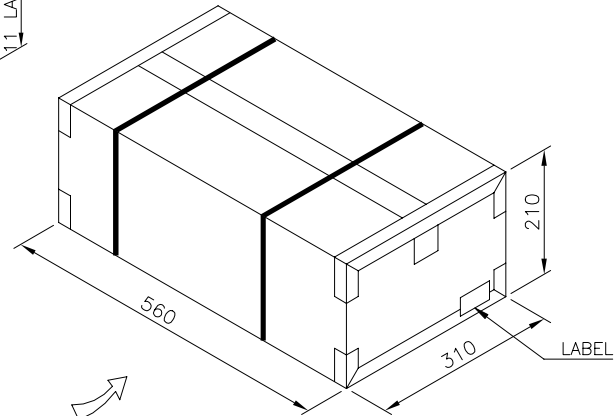
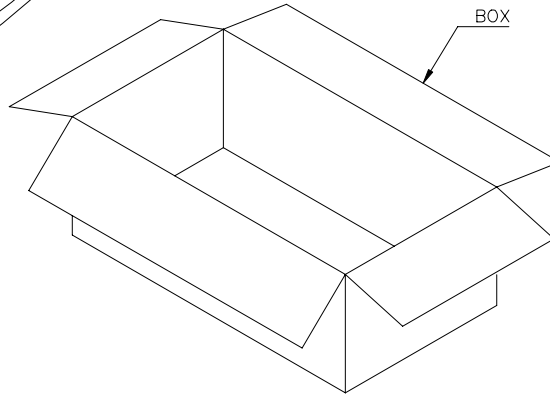
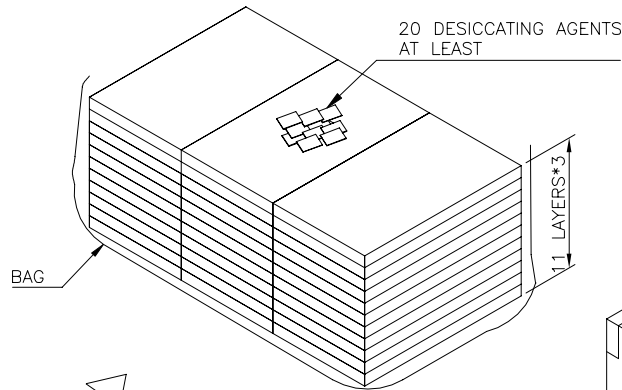
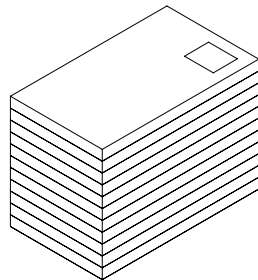
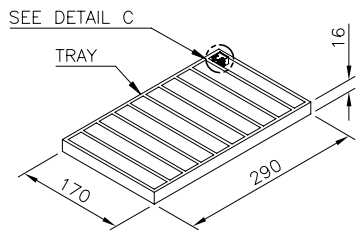
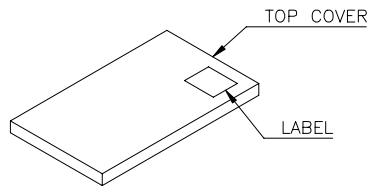
DIMENSIONS: mm	TOLERANCES UNLESS OTHERWISE SPECIFIED:	DWN	TE Connectivity
0 PLC ±0.3	1 PLC ±0.2	CHK	NAME
2 PLC ±0.15	3 PLC ±0.15	APVD	MODULAR JACK CONNECTOR
4 PLC ±0.15	ANGLES ±3°	PRODUCT SPEC	RJ45 WITH LED, 8P8C, SHIELDED
MATERIAL	FINISH	APPLICATION SPEC	TAB DOWN, DIP TYPE, H=11.3mm
		WEIGHT	SIZE A3
		CUSTOMER DRAWING	CAGE CODE 00779
			DRAWING NO. 1734324
			RESTRICTED TO
			SCALE
			SHEET 5 OF 7
			REV A6

THIS DRAWING IS UNPUBLISHED. RELEASED FOR PUBLICATION
 © COPYRIGHT 2010 BY TYCO ELECTRONICS CORPORATION. ALL RIGHTS RESERVED.

LOC DW	DIST	REVISIONS		
P	LTR	DESCRIPTION	DATE	DWN
		SEE SHEET 1.		APVD



DETAIL C



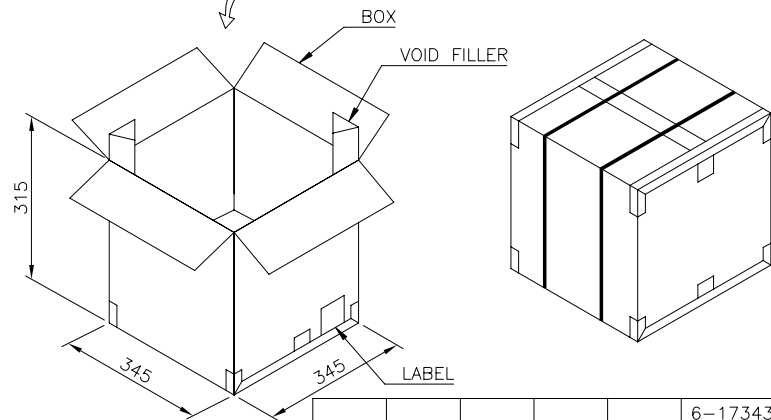
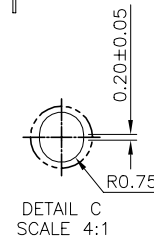
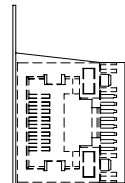
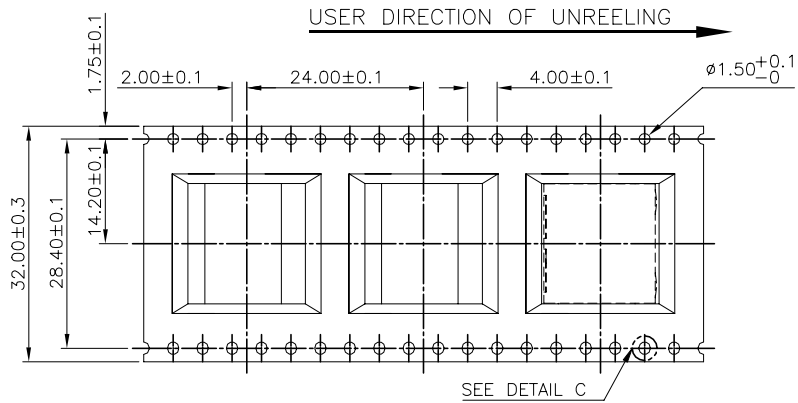
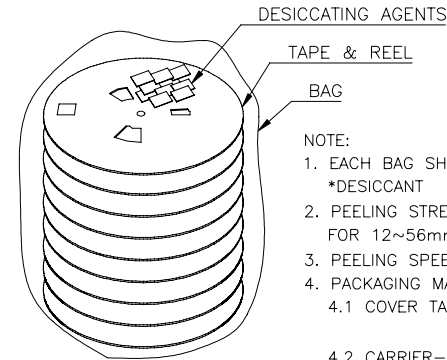
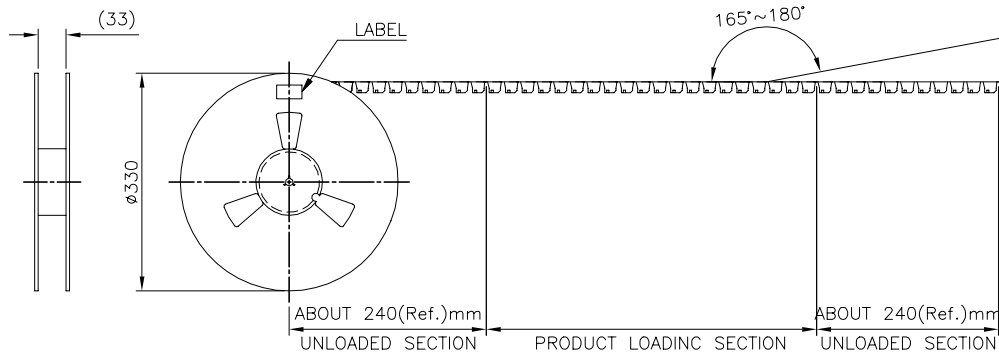
13Kg	11.1Kg	80	33	2640	6-1734324-1~4
14.5Kg	12.5Kg	90	33		7-1734324-X
					4-1734324-X
					2-1734324-X
					1734324-X
GROSS WEIGHT	NET WEIGHT	PCS /TRAY	TRAY /BOX	PCS /BOX	PART NUMBER

- NOTES:
 1. MATERIAL:
 TRAY: PVC.
 BOX: CORRUGATED FIBER.
 2. DIMENSION: SEE DRAWING
 3. QUANTITY: SEE TABLE
 4. WEIGHT: SEE TABLE

THIS DRAWING IS A CONTROLLED DOCUMENT.		DWN		TE Connectivity	
DIMENSIONS: mm		CHK			
TOLERANCES UNLESS OTHERWISE SPECIFIED:		APVD		NAME	
0 PLC ± 0.3 1 PLC ± 0.2 2 PLC ± 0.15 3 PLC ± 0.15 4 PLC ANGLES ± 3°		PRODUCT SPEC		MODULAR JACK CONNECTOR RJ45 WITH LED, 8P8C, SHIELDED TAB DOWN, DIP TYPE, H=11.3mm	
MATERIAL		APPLICATION SPEC		SIZE	RESTRICTED TO
FINISH		WEIGHT		A3	
		CUSTOMER DRAWING		CAGE CODE	DRAWING NO
				00779	C=1734324
		SCALE		SHEET	REV
				6 OF 7	A6

THIS DRAWING IS UNPUBLISHED. RELEASED FOR PUBLICATION
 © COPYRIGHT 2010 BY TYCO ELECTRONICS CORPORATION. ALL RIGHTS RESERVED.

LOC	DIST	REVISIONS					
DW		P	LTR	DESCRIPTION	DATE	DWN	APVD
				SEE SHEET 1.			



8.5KG	6.1KG	180	8	1440	6-1734324-5~9
					3-1734324-X
					1-1734324-X
GROSS WEIGHT	NET WEIGHT	PCS /REEL	REEL /BOX	PCS /BOX	PART NUMBER

DIMENSIONS:		TOLERANCES UNLESS OTHERWISE SPECIFIED:		TE Connectivity	
mm				NAME	
0 PLC	±	1 PLC	±0.3	MODULAR JACK CONNECTOR	
2 PLC	±0.2	3 PLC	±0.15	RJ45 WITH LED, 8P8C, SHIELDED	
4 PLC	±	ANGLES	± 3'	TAB DOWN, DIP TYPE, H=11.3mm	
MATERIAL	FINISH	SIZE	CAGE CODE	DRAWING NO	RESTRICTED TO
		A3	00779	C=1734324	
CUSTOMER DRAWING		SCALE	SHEET	REV	
			7 OF 7	A6	

单击下面可查看定价，库存，交付和生命周期等信息

[>>TE Connectivity\(泰科\)](#)