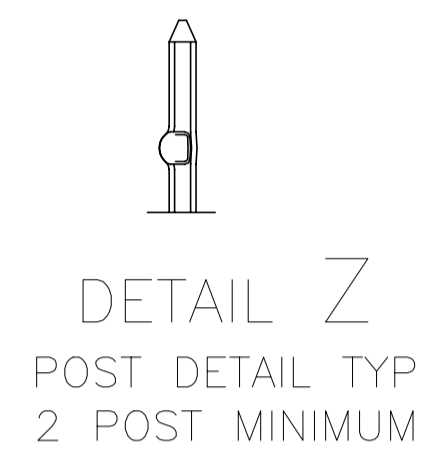
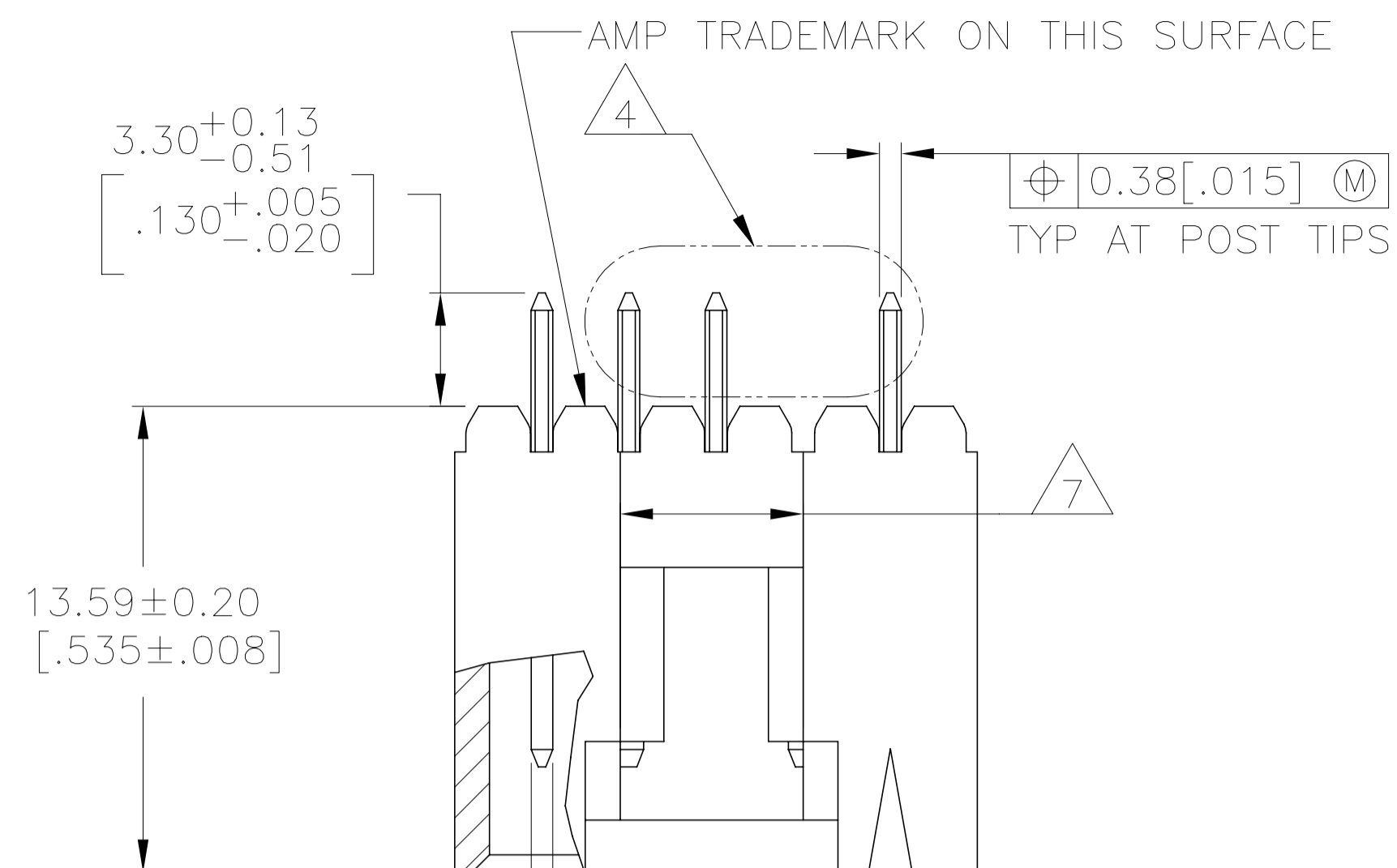
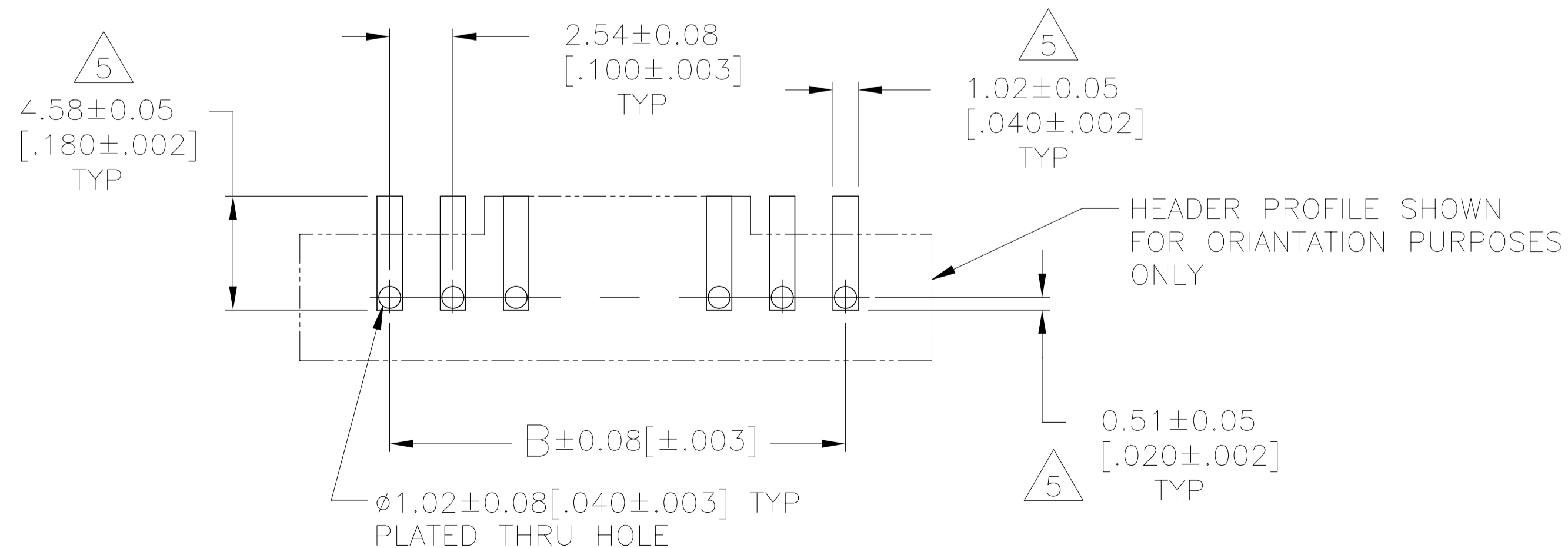
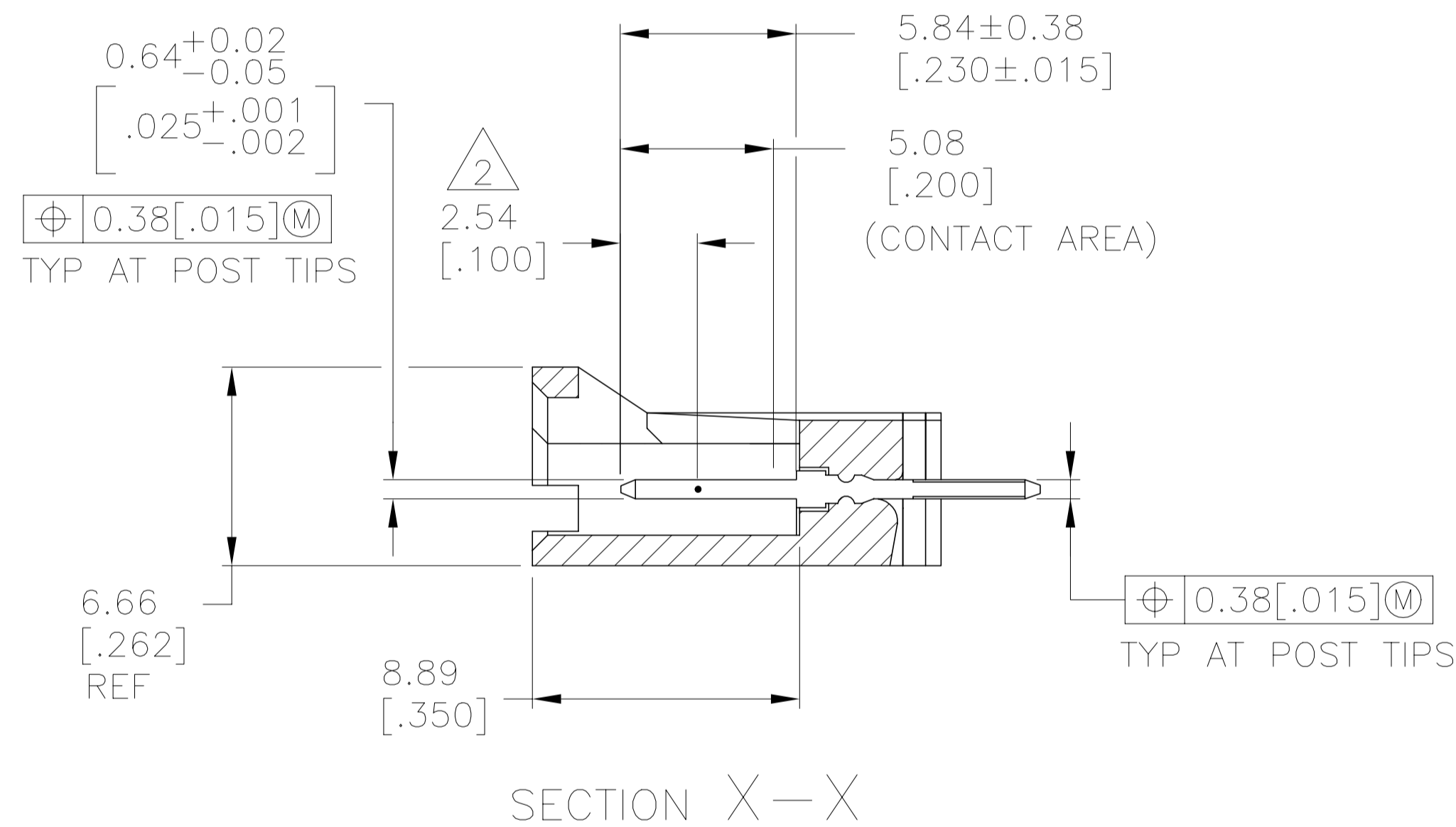
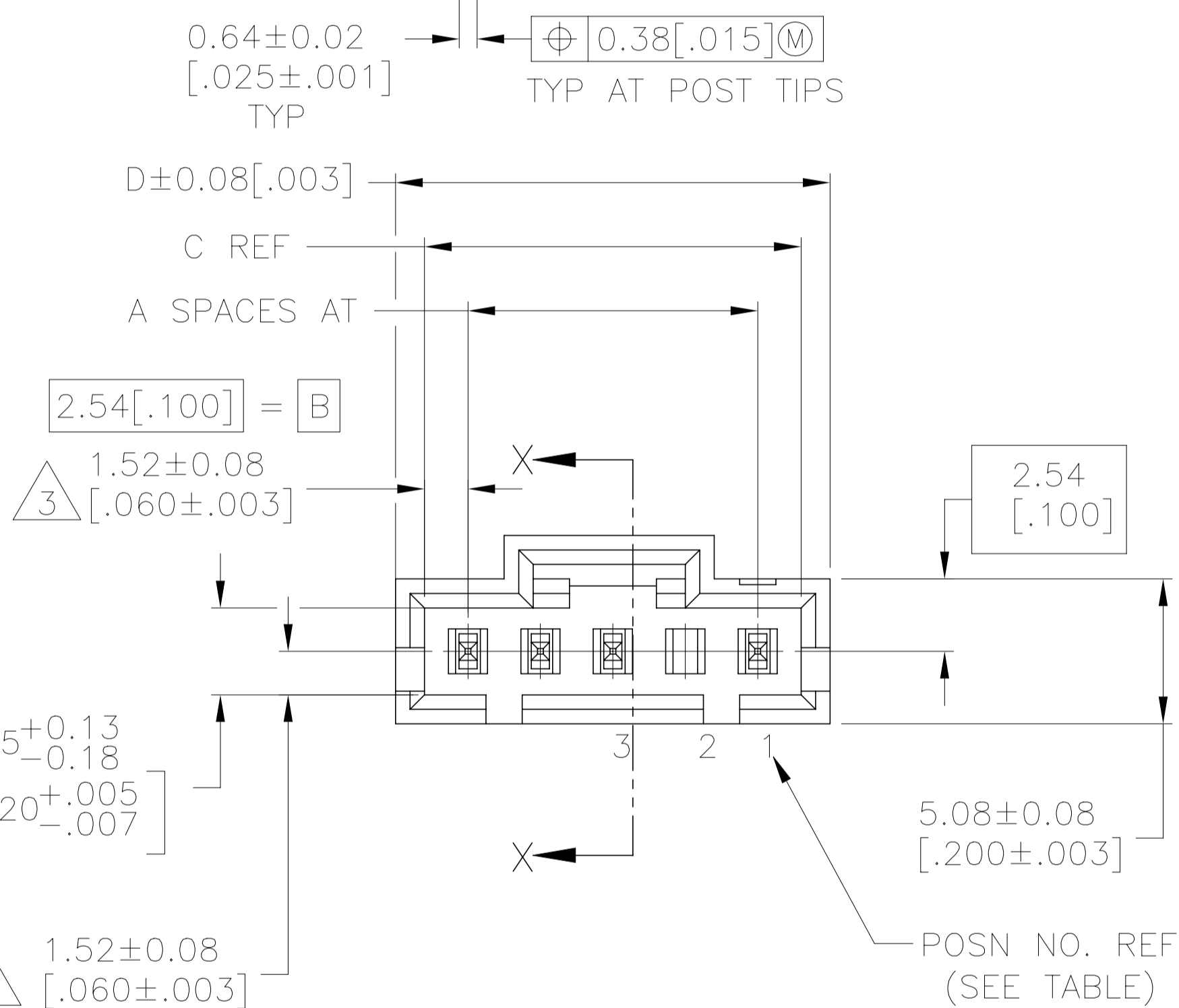


REVISIONS					
P	LTR	DESCRIPTION	DATE	DWN	APVD
D		REVISED PER ECO-20-001327	27MAY2020	SB	JO



- 1 0.00254[.000100] BRIGHT TIN OVER 0.00127[.000050] NICKEL.
- 2 POINT OF MEASUREMENT FOR PLATING THICKNESS
- 3 THE NOTED DIMENSIONS APPLY FROM THE BASIC DIMENSION LINE (NOT THE POST CENTERLINE) TO THE SURFACE INDICATED
- 4 SELECT POST TAILS FORMED TO PROVIDE CONNECTOR HOLD DOWN UNTIL SOLDERED, CONFIGURATION ACCEPTS 0.69-2.03[.027-.080] THICK PRINTED CIRCUIT BOARD (SEE DETAIL Z)
- 5 DIMENSIONS NOTED ARE FOR SOLDER STENCIL LAYOUT FOR USE WITH 1.57±0.20 [.062±.008] THICK PRINTED CIRCUIT BOARDS.
- 6 PARTS ARE PACKAGED IN GANG OF TUBES
- 7 0.25 [.010] RECESS PERMISSIBLE IN THIS AREA FOR MOLD SHUT OFF



RECOMMENDED PC BOARD MOUNTING DIMENSIONS
 RECOMMENDED STENCIL THICKNESS = 0.25[.010]

2	15.11 [.595]	13.21 [.520]	10.16 [.400]	4	5	104916-1
POST NUMBER OMITTED	D	C	B	A	NO OF POSN	PART NUMBER

THIS DRAWING IS A CONTROLLED DOCUMENT.		DWN E. BRANDBERG 200CT94	TE Connectivity			
DIMENSIONS: mm [INCHES]		CHK J. GESFORD 200CT94				
TOLERANCES UNLESS OTHERWISE SPECIFIED:		APVD D. DUPLER 200CT94	NAME HDR ASSY, AMPMODU MTE, VTL SLE ROW			
0 PLC ± -		PRODUCT SPEC	2.54[.100]CL, 0.64[.025] SQ POSTS, POLARIZED			
1 PLC ± -		APPLICATION SPEC	WITH LATCHING & HOLD DOWN, HIGH TEMP, SELECT LOAD			
2 PLC ± 0.13[.005]		SIZE A2	CAGE CODE 00779	DRAWING NO C=104916	RESTRICTED TO	
3 PLC ± -		WEIGHT -	SCALE 4:1		SHEET 1 of 1	REV D
4 PLC ± -		CUSTOMER DRAWING				
ANGLES ± -						
MATERIAL HOUSING: HIGH : LCP, COLOR : BLACK, POSTS : COPPER ALLOY						
FINISH POST: 1						

单击下面可查看定价，库存，交付和生命周期等信息

[>>TE Connectivity\(泰科\)](#)