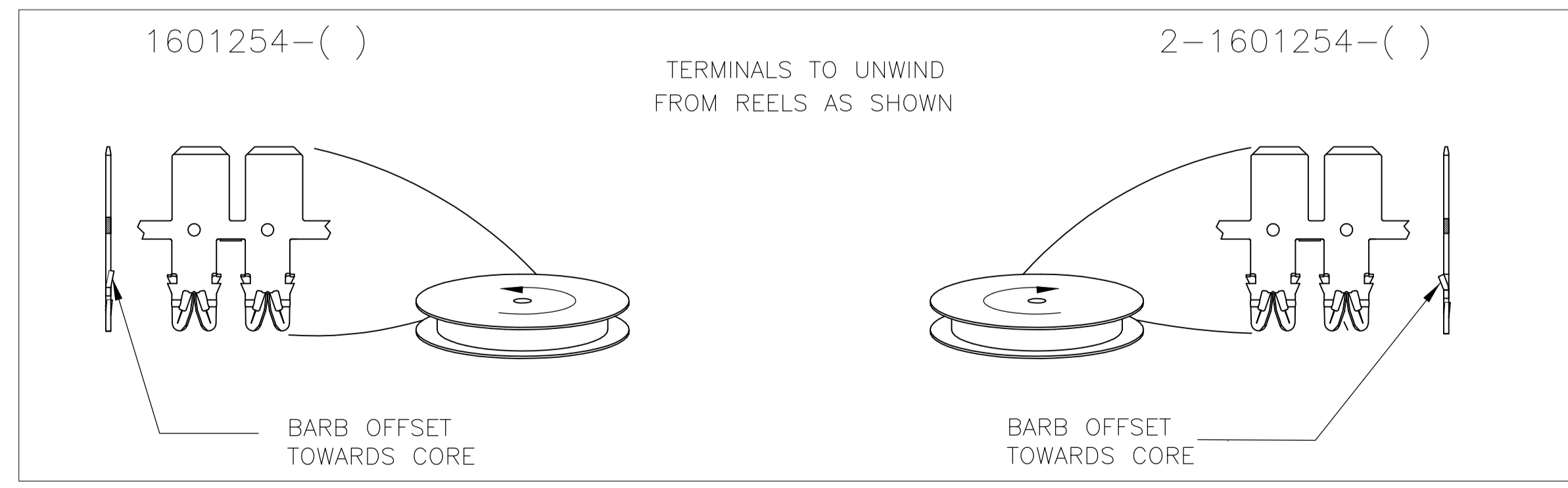
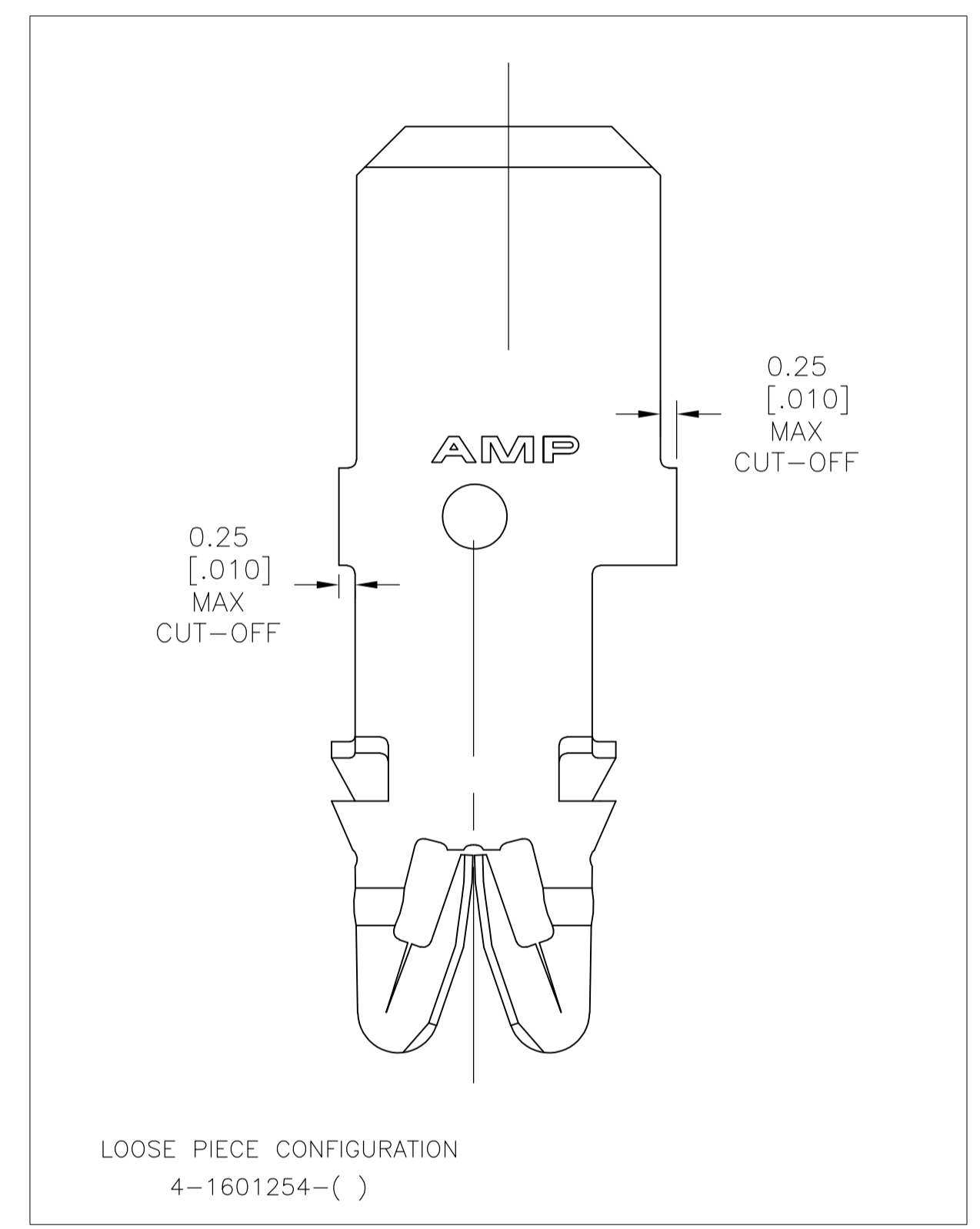
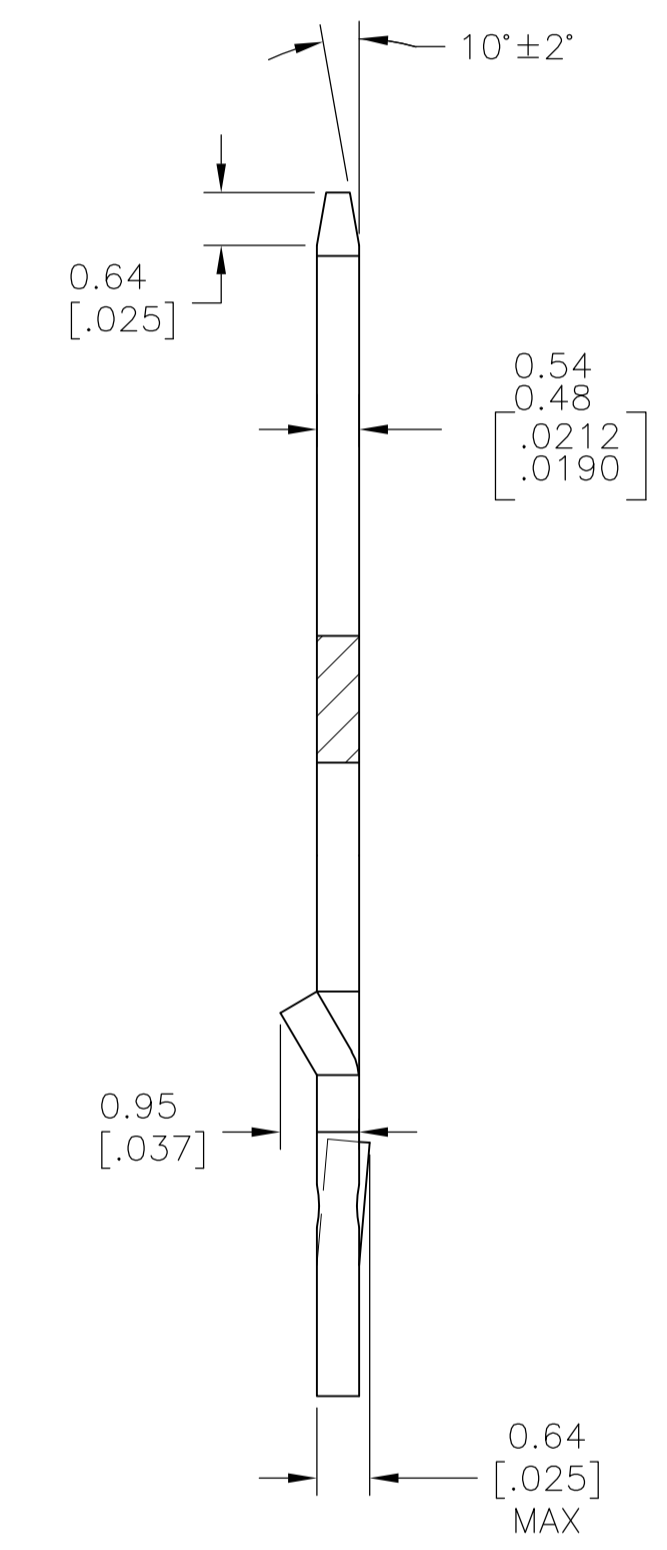
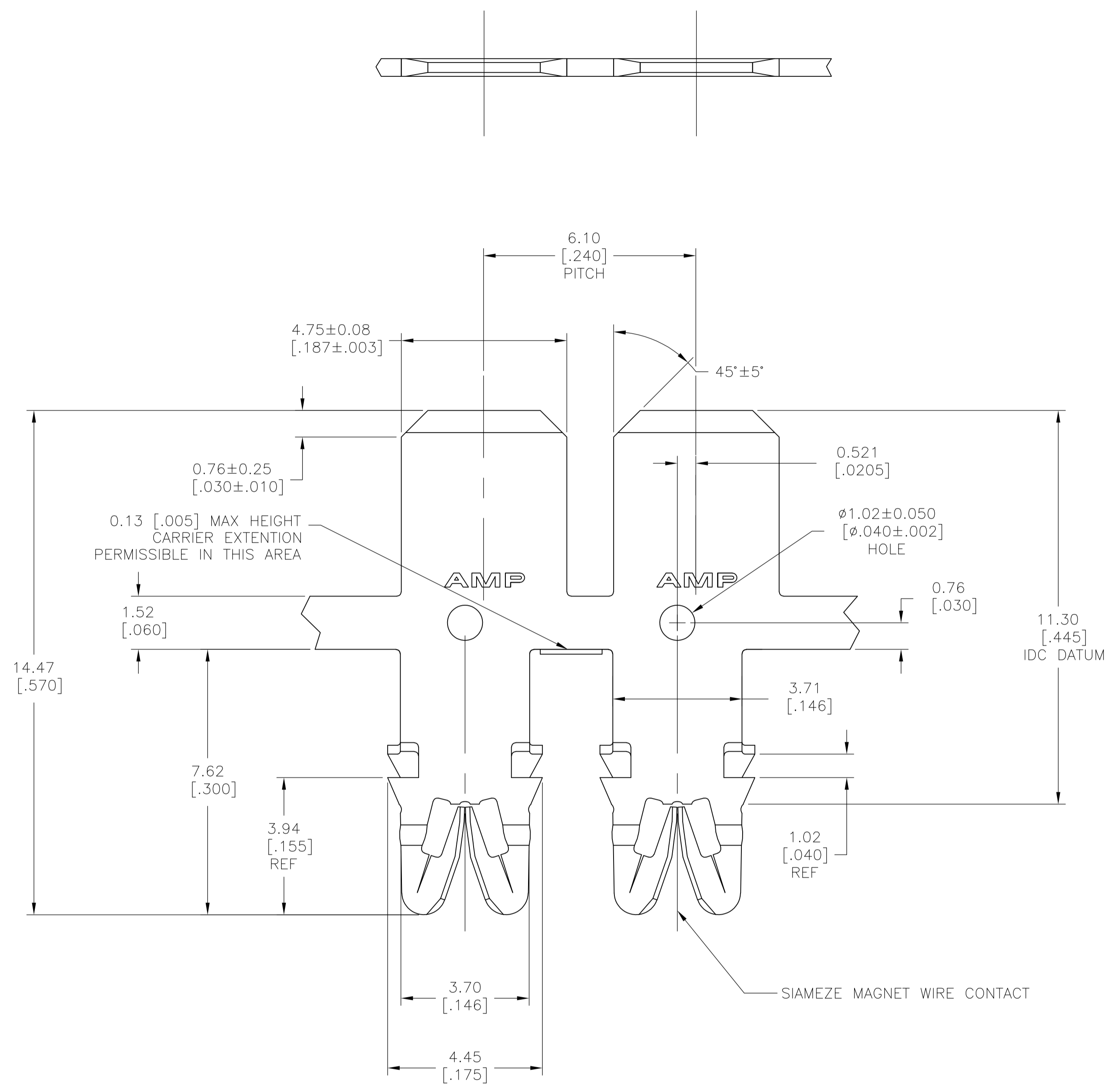


LOC		DIST		REVISIONS			
AF	50	REV	DATE	BY	CHK	APPV	
A4		REVISED PER ECR-12-000651	18JAN12	KH	GJ		

- 1 SPECIFICATION: WIRE RANGE; #18-#34 AWG. 0.16-1.02 mm [.006-.040] DIA. COPPER MAGNET WIRE.
- 2 POCKET RECOMMENDATION: 1601425 EXCEPT 7.61 [.300] HIGH, ALTERNATE POCKET 1601431
- 3 TERMINAL APPLICATION TO COMPLY WITH TYCO ELECTRONICS SPEC 114-13166, CONSULT TYCO ELECTRONICS PRODUCT ENGINEERING FOR PROPER INSERTION DEPTH.
- 4 POST PLATED TIN OVER COPPER
- 5 2 TERMINALS SHOWN FOR ILLUSTRATION PURPOSES.
- 6 NON-STANDARD PACKAGING. REEL WITH FLUTED PLASTIC FLANGES AND PAPER CORE PAPER INTERLEAVING. PLACED IN A PLASTIC BAG. REDUCED QUANTITY PER REEL.
- 7 NON-STANDARD PACKAGING. ALL PLASTIC REEL PLASTIC INTERLEAVING. PLACED IN A PLASTIC BAG.
- 8 NON-STANDARD DOUBLE BAG.
- 9 PRELIMINARY - NOT FOR PRODUCTION.



8	9	4-1601254-2
7		1601254-4
6	9	1601254-3
STANDARD		1601254-2
PACKAGING		PART NUMBER

THIS DRAWING IS A CONTROLLED DOCUMENT.		DWN RAGHAVENDRA 10JUN09	STE TE Connectivity	
DIMENSIONS: mm [INCHES]		CHK G. JACONO 10JUN09	NAME	
TOLERANCES UNLESS OTHERWISE SPECIFIED:		APPV G. JACONO 10JUN09	PRODUCT SPEC	
0. PLC ± -	1. PLC ± -	APPLICATION SPEC		
2. PLC ± 0.13 [.005]	3. PLC ± -	108-2085		
4. PLC ± -	ANGLES ± °	SIZE CAGE CODE DRAWING NO		
MATERIAL FULL HARD BRASS	FINISH 4	WEIGHT -	A1 00779	1601254
CUSTOMER DRAWING		SCALE 11:1	SHEET 1 of 1	REV A4

单击下面可查看定价，库存，交付和生命周期等信息

[>>TE Connectivity\(泰科\)](#)