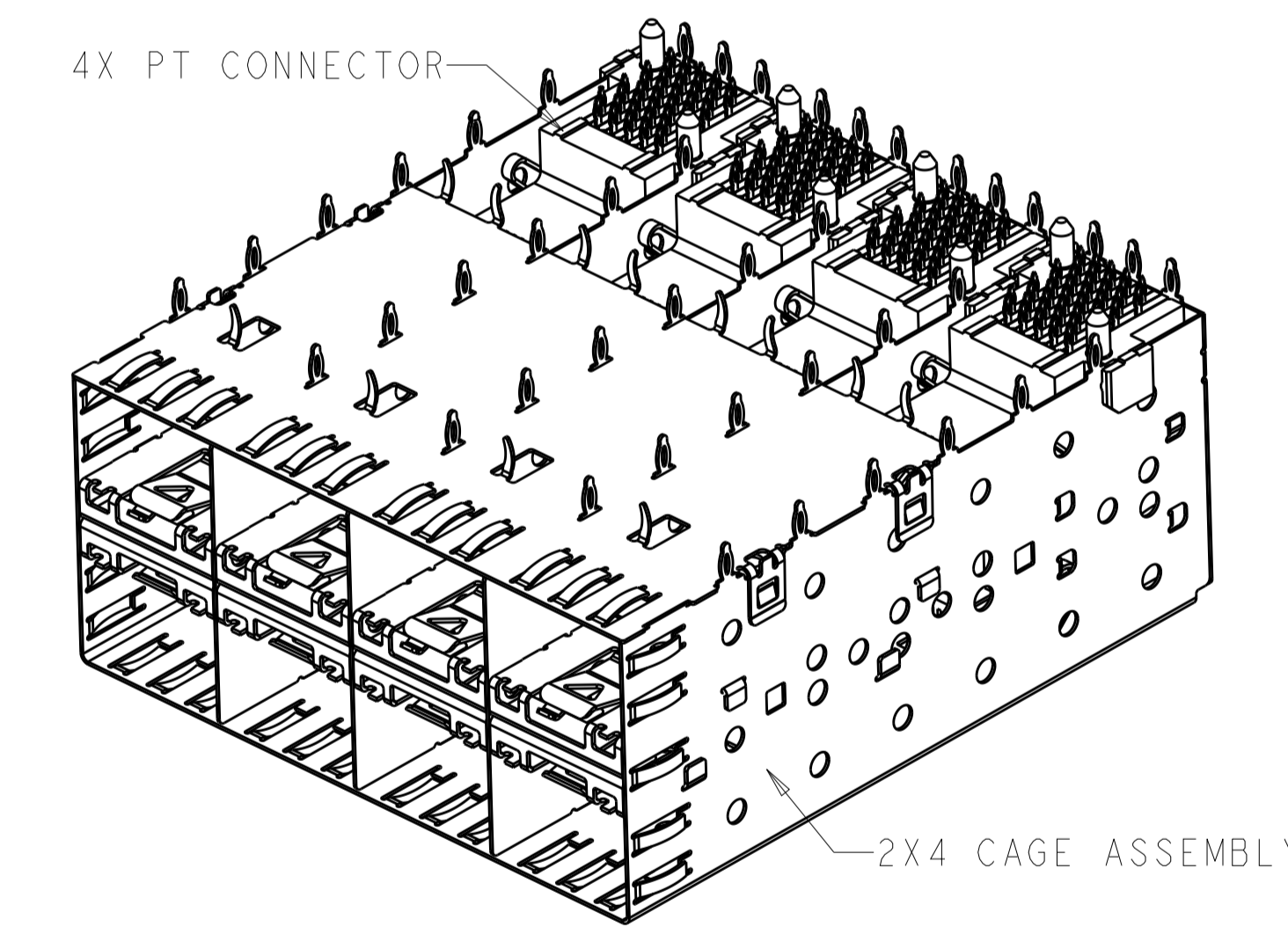
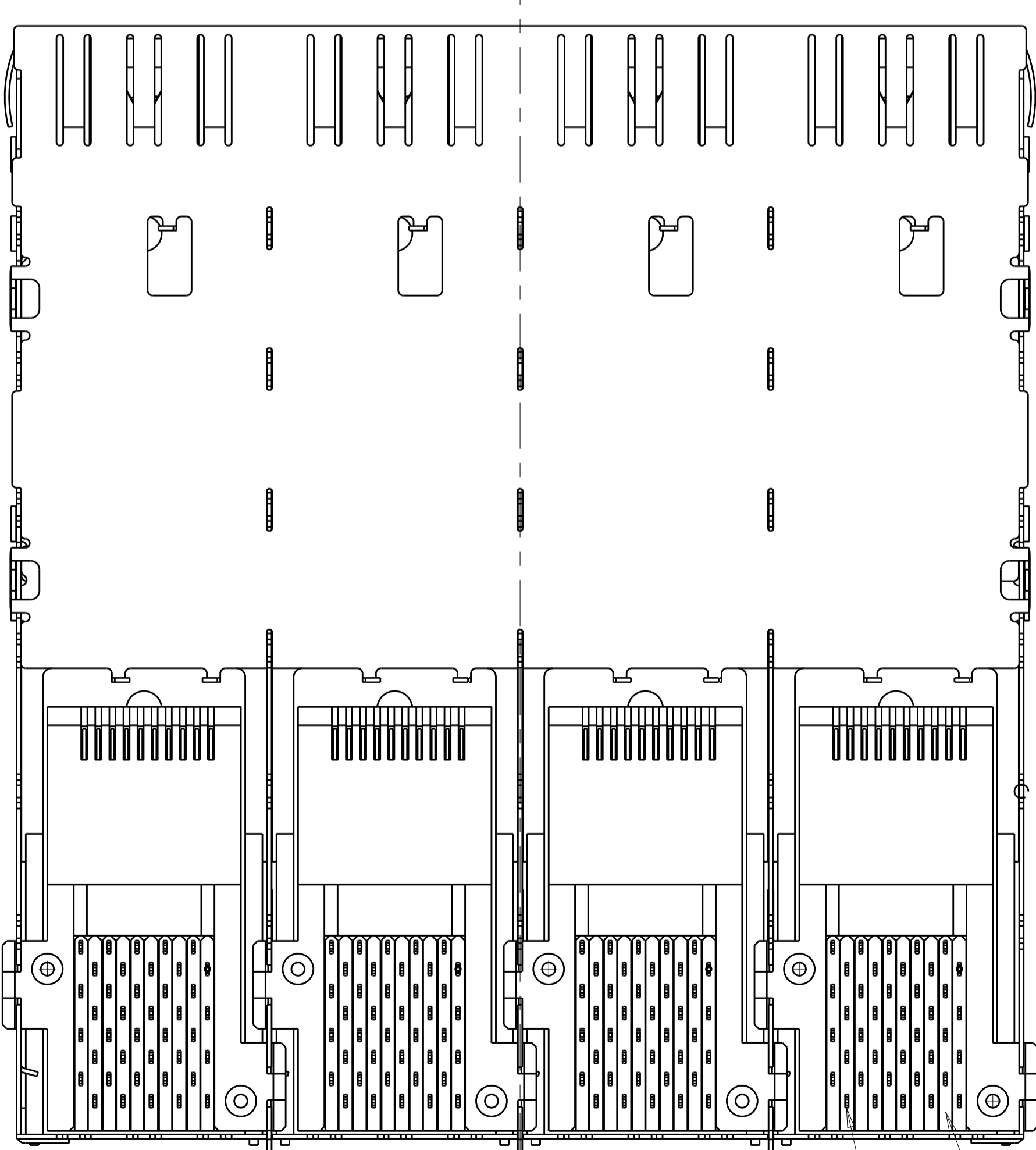
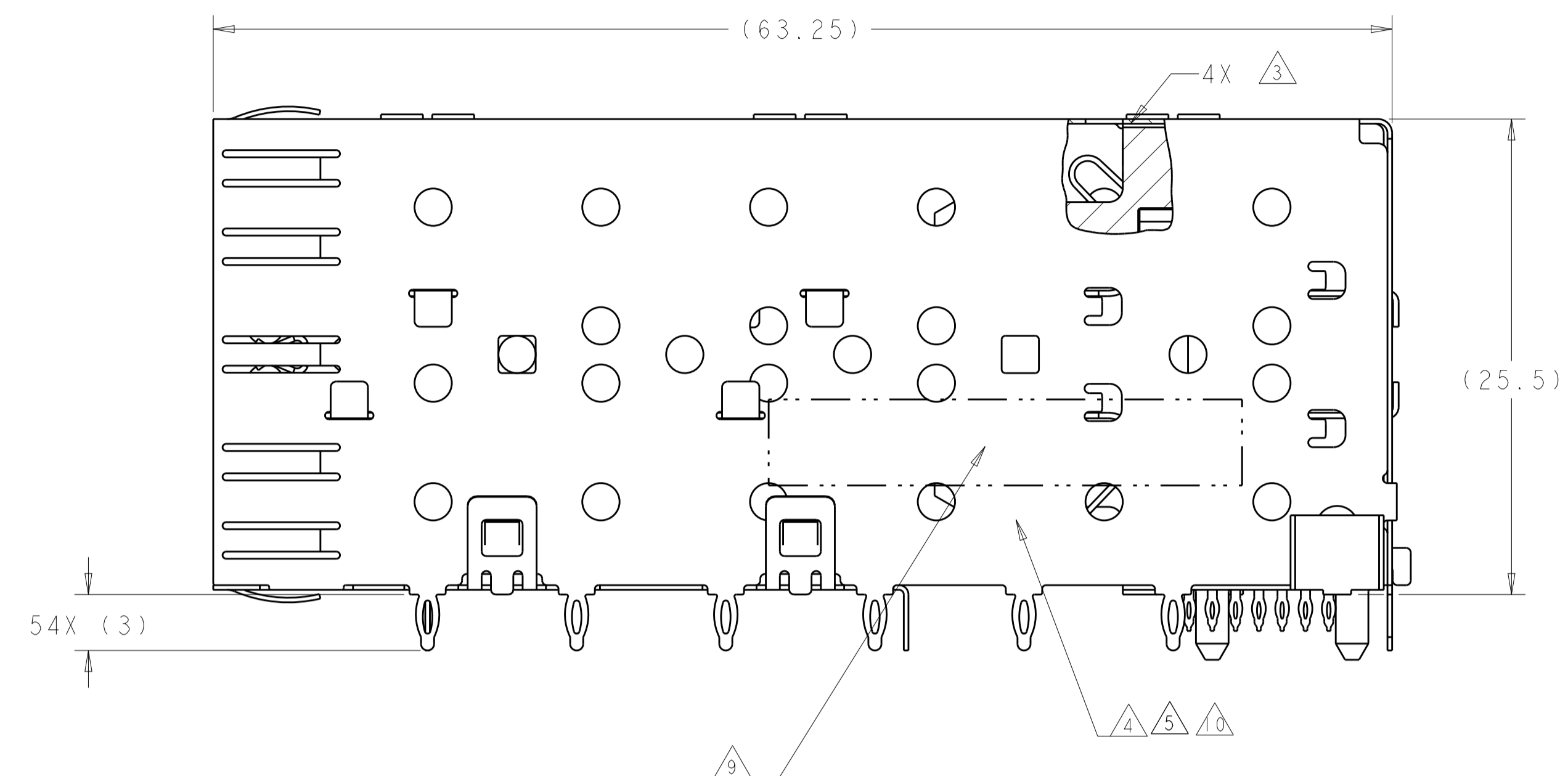
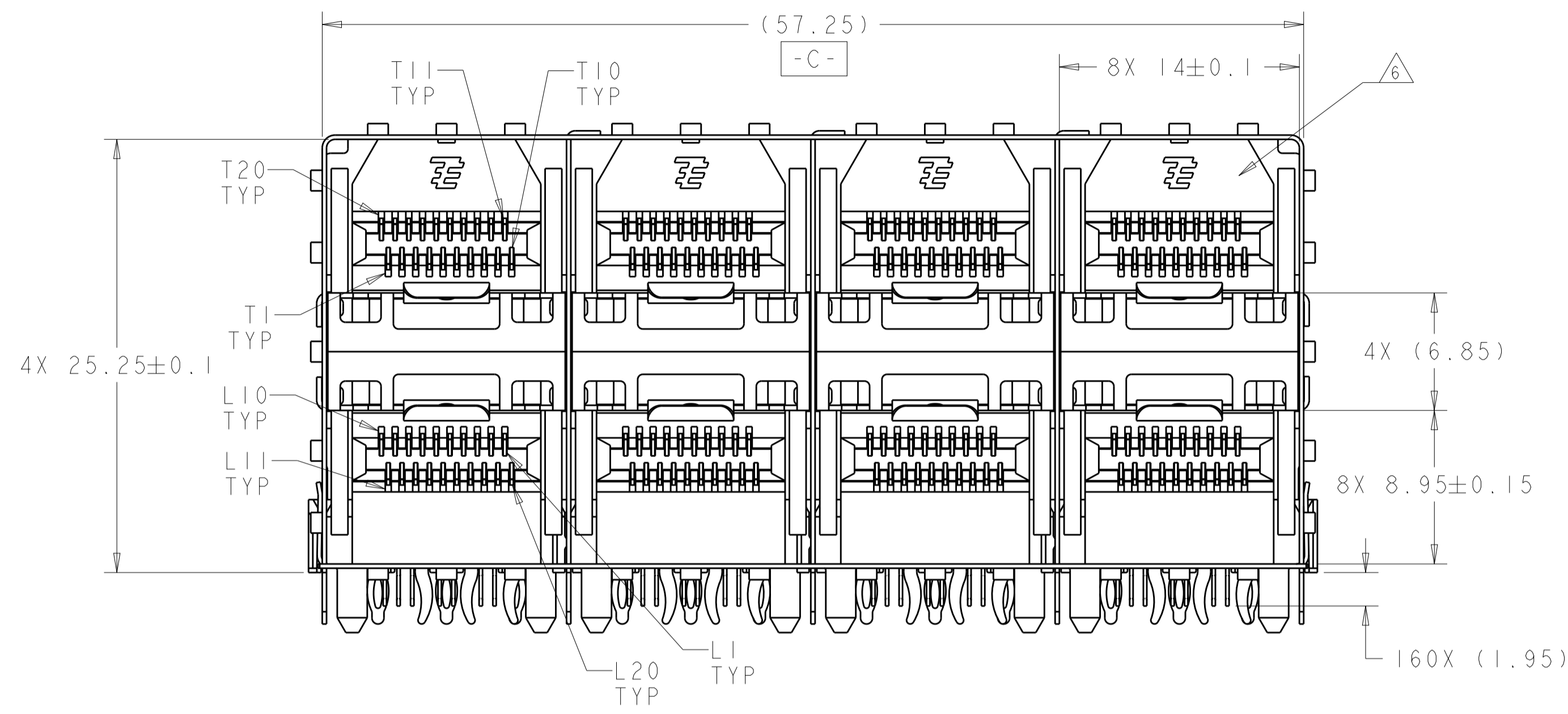


LOC	DIST	REVISIONS					
		P	LTN	DESCRIPTION	DATE	DWN	APVD
ES	00	D1		REVISED PER ECO-11-005027	18MAR2011	RK	HMR
		F		REVISED PER ECO-14-000886	20FEB2014	JW	SH
		F1		REVISED PER ECO-14-010419	11JUL2014	JW	SH



1658390-1&2
SCALE 2:1

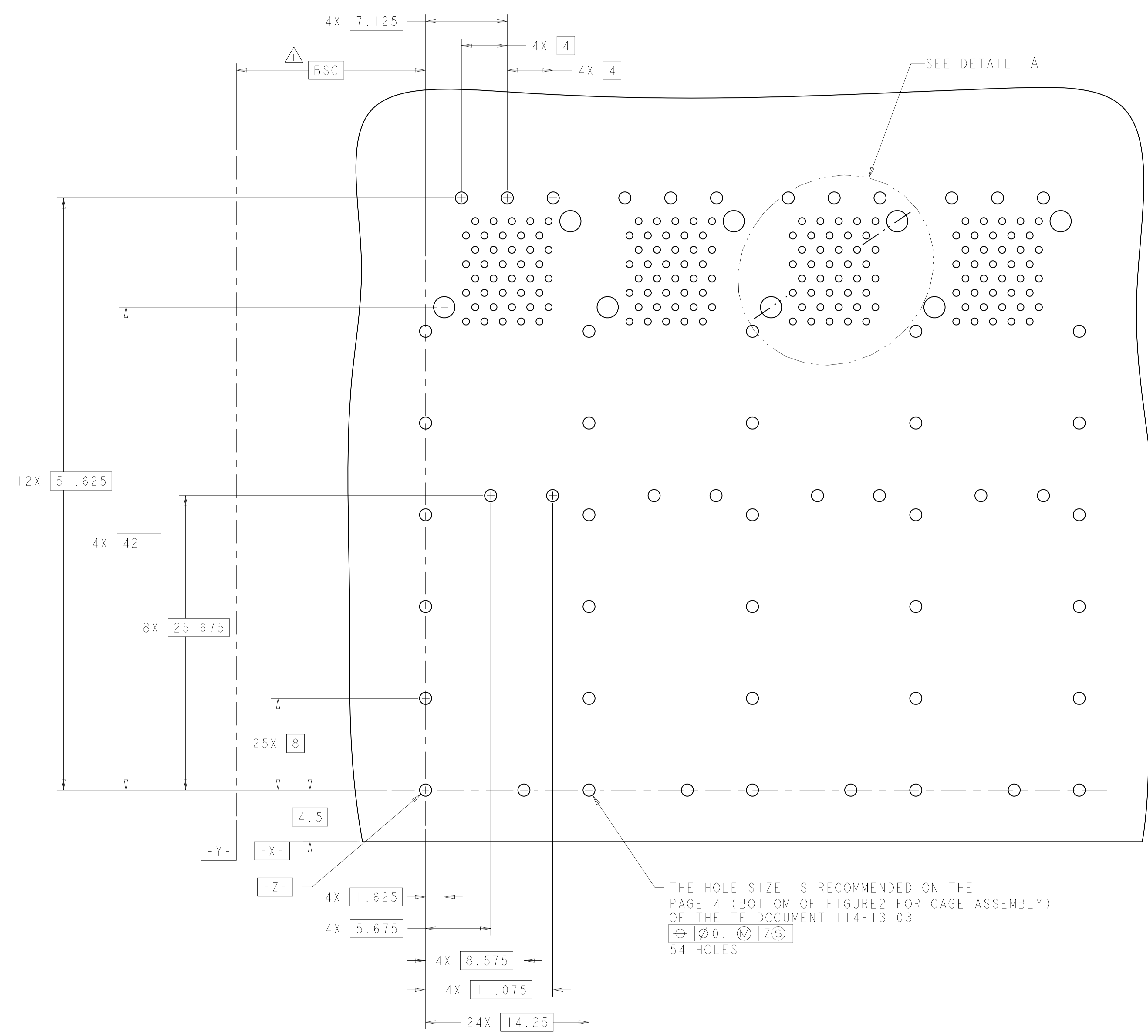
- ① DATUM AND BASIC DIMENSION TO BE DETERMINED BY CUSTOMER.
- ② INTERPRETATION OF DATUM REFERENCE FRAME IN ACCORDANCE WITH SECT 4.4.1.1 OF ASME Y14.5M-1994.
- ③ TOP OF PT CONNECTOR TO BE 0-0.15 FROM INSIDE SURFACE OF CAGE.
- ④ COPPER ALLOY.
- ⑤ 1.25µm MIN TIN PER ASTM B 545 OVER NICKEL FLASH PER QQ-N-290. NON-PLATED EDGES PERMISSIBLE.
- ⑥ LCP, HIGH TEMPERATURE, UL 94V-0 RATED, BLACK.
- ⑦ POLYESTER, UL 94V-0 RATED, BLACK.
- ⑧ CONTACT MATING AREA: SURFACE TREATMENT OVER 0.76µm MIN GOLD PER ASTM B 488 OVER 1.27µm MIN NICKEL PER QQ-N-290. NEEDLE EYE: 1.25µm MIN TIN PER ASTM B 545 OVER 1.27µm MIN NICKEL PER QQ-N-290. REMAINDER OF CONTACT: 0.76µm MIN NICKEL PER QQ-N-290.
- ⑨ DATE CODE AND PART NUMBER IN APPROXIMATE AREA SHOWN.
- Ⓜ NICKEL SILVER ALLOY (NO PLATING)

DIMENSIONS:		TOLERANCES UNLESS OTHERWISE SPECIFIED:		MATERIAL FINISH	
mm	0 PLC	±			
	1 PLC	±0.1			
	2 PLC	±0.1			
	3 PLC	±			
	4 PLC	±			
	ANGLES	±			

CONNECTOR FINISH	CONNECTOR MATERIAL	CAGE FINISH	CAGE MATERIAL	PART NUMBER
⑧	④ ⑦	NO	①	1658390-2
⑧	④ ⑦	⑤	④	1658390-1

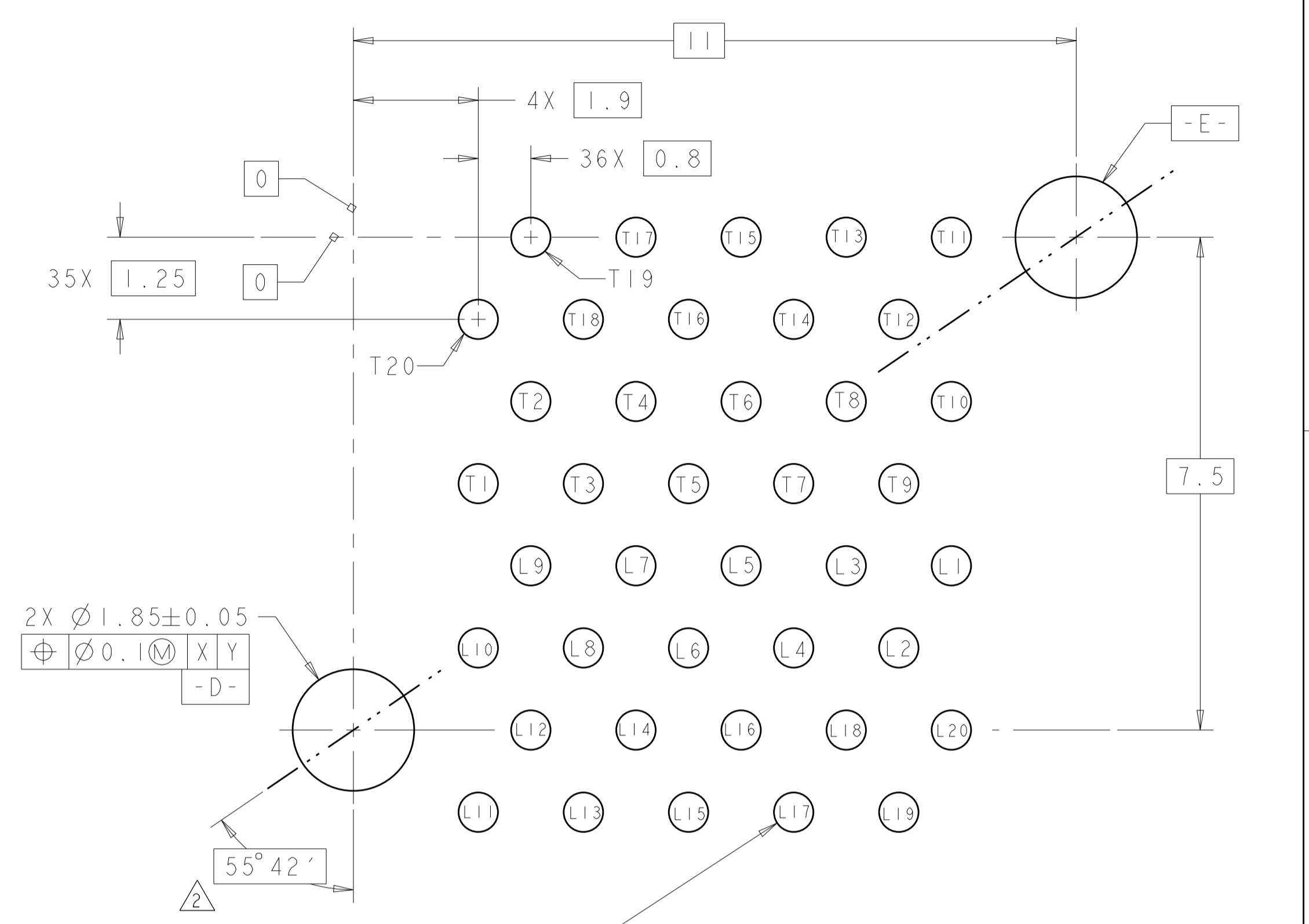
THIS DRAWING IS A CONTROLLED DOCUMENT.		DWN: M. COWHER 24MAR03	NO		①	1658390-2
TOLERANCES UNLESS OTHERWISE SPECIFIED:		CHK: J. KOPPENHEFFER 23JAN04	⑤		④	1658390-1
		APVD: M. WALMSLEY 23JAN03	NAME		PT CONNECTOR AND CAGE ASSEMBLY, 2x4, PRESS FIT, STANDARD PROFILE, SFP	
		PRODUCT SPEC: 108-2161	SIZE		A100779C=1658390	
		APPLICATION SPEC: 114-13103	CAGE CODE		DRAWING NO	
		WEIGHT	RESTRICTED TO		SHEET 1 OF 3	
		CUSTOMER DRAWING	SCALE		4:1	

LOC	DIST	REV	DATE	BY	APPV
ES	00				
		DESCRIPTION		DATE	BY
		SEE SHEET 1			



THE HOLE SIZE IS RECOMMENDED ON THE
 PAGE 4 (BOTTOM OF FIGURE2 FOR CAGE ASSEMBLY)
 OF THE TE DOCUMENT 114-13103
 $\varnothing 0.10 \text{ (M)} \text{ (Z)}$
 54 HOLES

RECOMMENDED PCB CONFIGURATION
 SCALE 5:1

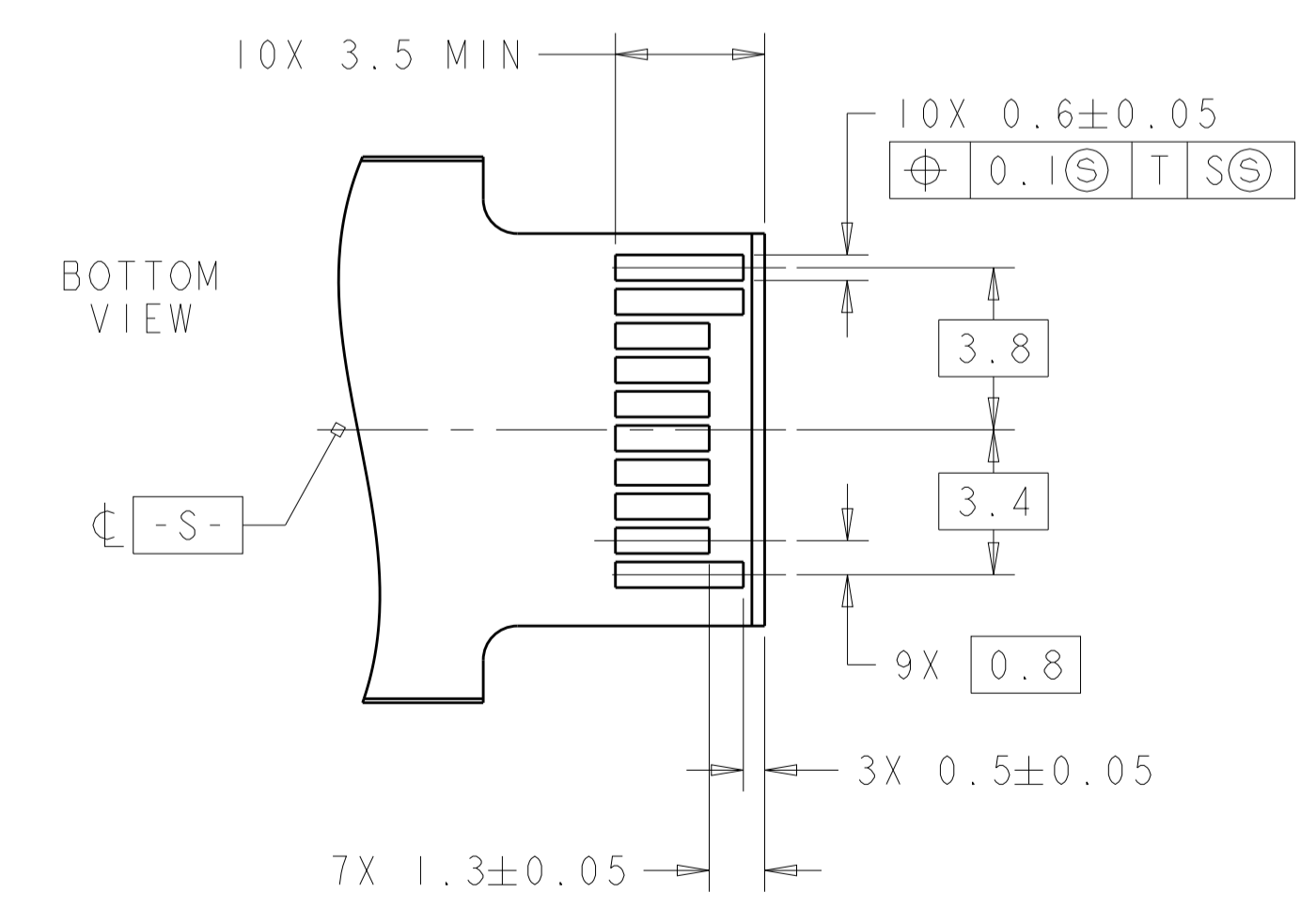
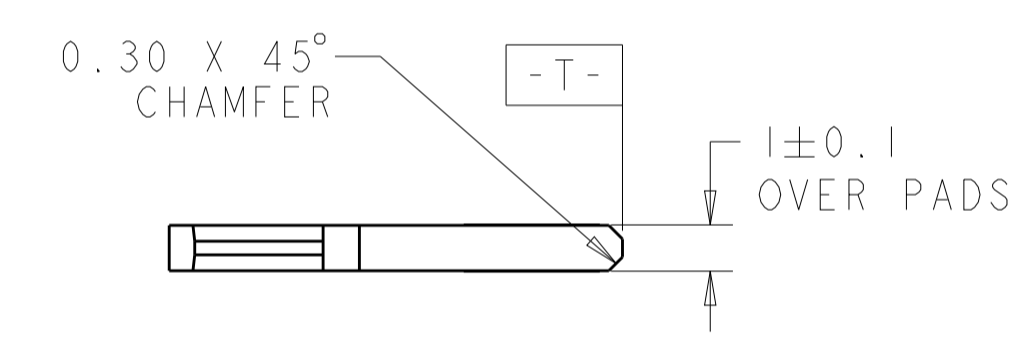
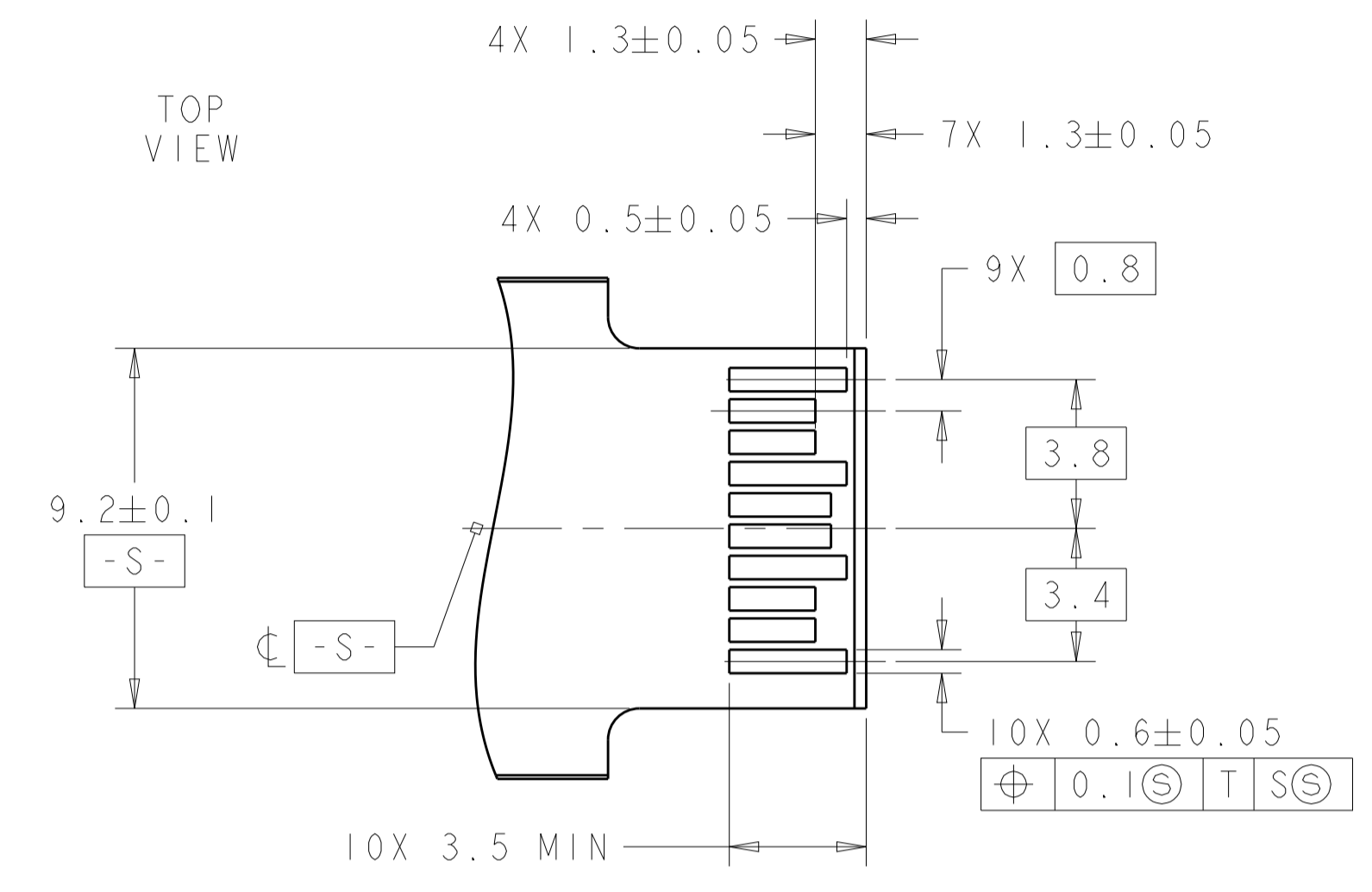


THE HOLE SIZE IS RECOMMENDED ON THE
 PAGE 4 (TOP OF FIGURE2 FOR CONNECTOR)
 OF THE TE DOCUMENT 114-13103
 $\varnothing 0.08 \text{ (M)} \text{ (D S)} \text{ (E S)}$
 40X4 HOLES


DETAIL A
 SCALE 15:1

THIS DRAWING IS A CONTROLLED DOCUMENT.		OWN: M. COWHER 24MAR03	TE Connectivity
DIMENSIONS: mm		CHK: J. KOPPENHEFFER 23JAN04	
TOLERANCES UNLESS OTHERWISE SPECIFIED:		APV: M. WALMSLEY 23JAN03	NAME: PT CONNECTOR AND CAGE ASSEMBLY, 2x4, PRESS FIT, STANDARD PROFILE, SFP
0 PLC ±	1 PLC ±	PRODUCT SPEC 108-2161	SIZE: CAGE CODE DRAWING NO. RESTRICTED TO
2 PLC ±0.1	3 PLC ±	APPLICATION SPEC 114-13103	A100779C=1658390
4 PLC ±	ANGLES ±	WEIGHT	SCALE 4:1 SHEET 2 OF 3 REV F1
MATERIAL	FINISH	CUSTOMER DRAWING	

LOC	DIST	REVISIONS					
		P.	LTN	DESCRIPTION	DATE	DMN	APVD
ES	00	-	-	SEE SHEET 1	-	-	-



RECOMMENDED LAYOUT FOR
 MATING TRANSCEIVER PCB
 SCALE 6:1

THIS DRAWING IS A CONTROLLED DOCUMENT.		DMN M. COWHER	ZAMAR03	 TE Connectivity
DIMENSIONS: mm		CHK J. KOPPENHEFFER	23JAN04	
TOLERANCES UNLESS OTHERWISE SPECIFIED:		APVD M. WALMSLEY	23JAN03	NAME PT CONNECTOR AND CAGE ASSEMBLY, 2x4, PRESS FIT, STANDARD PROFILE, SFP
0 PLC ± 1 PLC ± 2 PLC ±0.1 3 PLC ± 4 PLC ± ANGLES ±		PRODUCT SPEC 108-2161		SIZE 114-13103
MATERIAL		FINISH	WEIGHT	RESTRICTED TO A100779C=1658390
		CUSTOMER DRAWING		SCALE 1:1 SHEET 3 OF 3 REV F1

单击下面可查看定价，库存，交付和生命周期等信息

[>>TE Connectivity\(泰科\)](#)