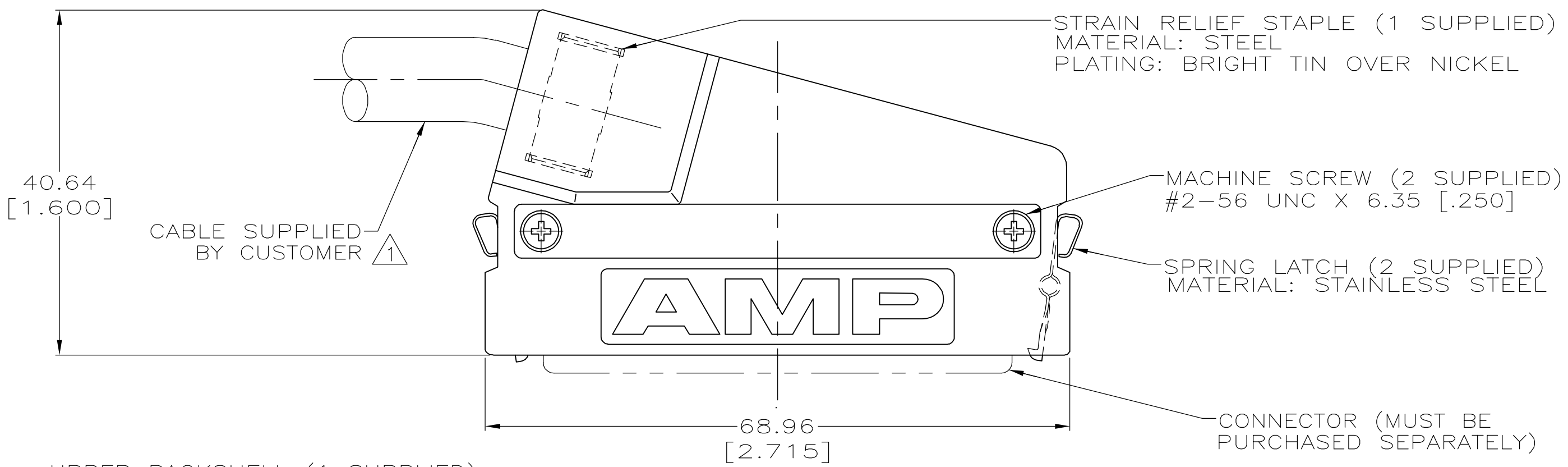


THIS DRAWING IS UNPUBLISHED. RELEASED FOR PUBLICATION
 © COPYRIGHT BY TYCO ELECTRONICS CORPORATION. ALL RIGHTS RESERVED.

LOC	DIST	REVISIONS					
GP	00	P	LTR	DESCRIPTION	DATE	DWN	APVD
		0		RELEASED PER EC OS13-0001-05	26AUG05	GP	JG



UPPER BACKSHELL (1 SUPPLIED)
 MATERIAL: ZINC
 PLATING: NICKEL OVER COPPER

LOWER BACKSHELL (1 SUPPLIED)
 MATERIAL: ZINC
 PLATING: NICKEL OVER COPPER

1 10.67 [.420] MAX CABLE DIA
 2. PARTS PACKAGED AS A UNIT KIT.

**COPYRIGHT 2005
 TYCO ELECTRONICS CORP
 ALL RIGHTS RESERVED**

5749205-1
 PART NO

THIS DRAWING IS A CONTROLLED DOCUMENT.		DWN G.PETERS 26AUG05	Tyco Electronics Corporation Harrisburg, PA 17105-3608	
DIMENSIONS: INCHES		CHK S.SHUEY 26AUG05		
TOLERANCES UNLESS OTHERWISE SPECIFIED:		APVD M.WALMSLEY 26AUG05	NAME	
0 PLC ± -		PRODUCT SPEC	INDIVIDUAL KIT, UNASSEMBLED, 80 POSITION, 75 DEG EXIT, UNKEYED, AMPLIMITE .050 Series	
1 PLC ± -		APPLICATION SPEC	SIZE	RESTRICTED TO
2 PLC ± -		WEIGHT	A3	-
3 PLC ± 0.38 [.015]		CUSTOMER DRAWING	CAGE CODE 00779	DRAWING NO C-5749205
4 PLC ± -		SCALE 1:1	SHEET 1 OF 1	REV 0
ANGLES ± -				
FINISH				
MATERIAL				

单击下面可查看定价，库存，交付和生命周期等信息

[>>TE Connectivity\(泰科\)](#)