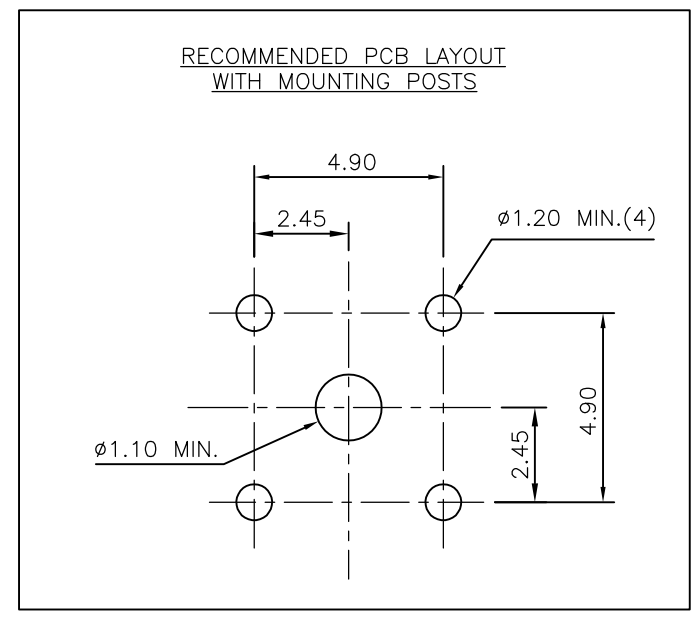
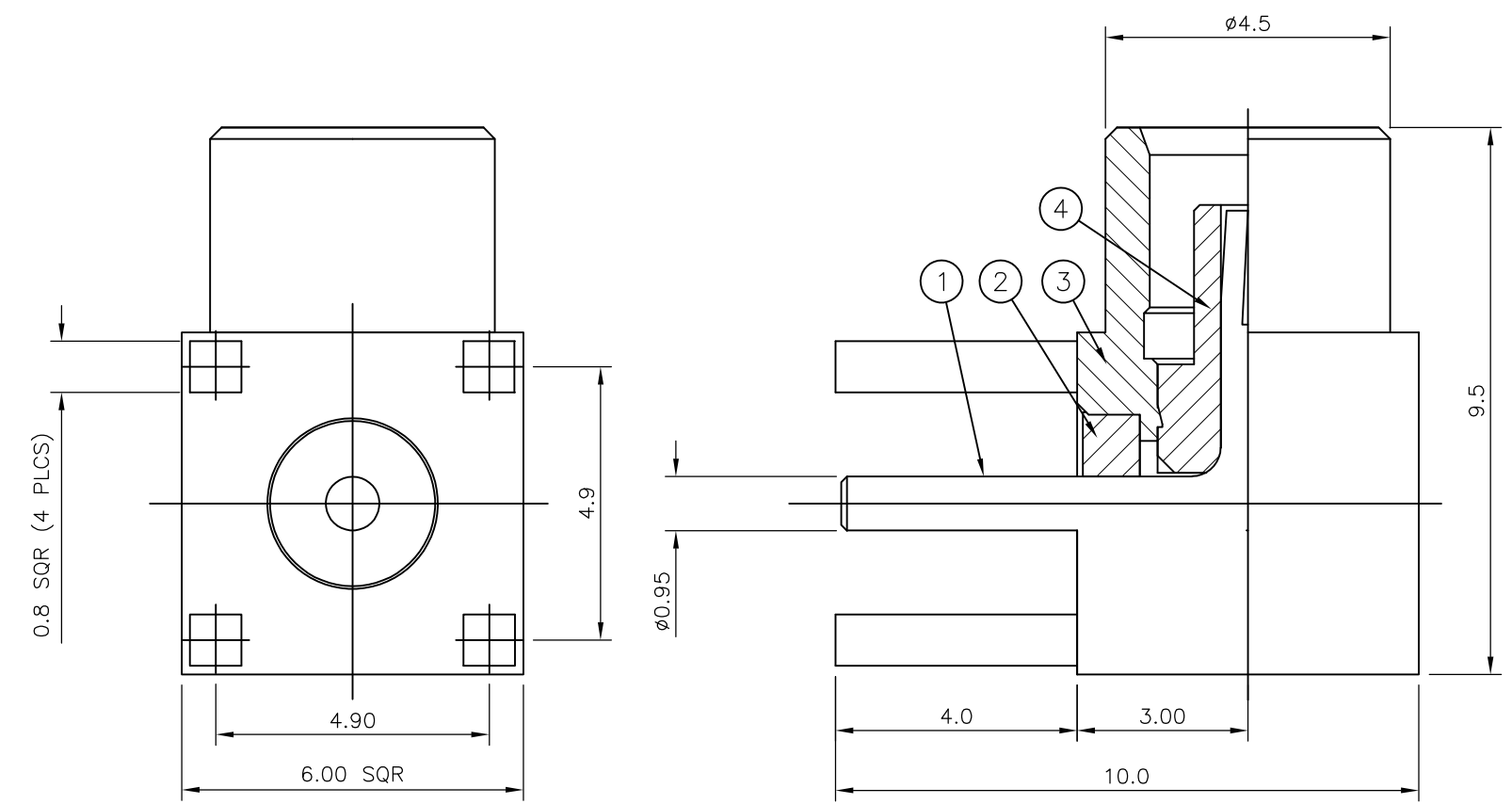


THIS DRAWING IS UNPUBLISHED. RELEASED FOR PUBLICATION
 © COPYRIGHT - By - ALL RIGHTS RESERVED.

REVISIONS				
P	LTR	DESCRIPTION	DATE	APVD
E1		REVISED PER ECR-17-003443	09MAR2017	BW RS

- NOTES**
- ① 100 TRAY PACK IN ACCORDANCE WITH AMP SPEC 107-3275
 - ② SINGLE PACK IN ACCORDANCE WITH AMP SPEC 107-3275
 - ③ Au PLATING
 - ④ Ni PLATING
5. ELECTRICAL CHARACTERISTICS
 FREQUENCY RANGE: DC - 6 GHz
 NOMINAL IMPEDANCE: 50 Ohm
 INSULATION RESISTANCE: 1000 MOhm
 WORKING VOLTAGE: 335 Volts RMS at Sea Level
 DIELECTRIC WITHSTAND VOLTAGE: 1000 Volts RMS Max
 CONTACT RESISTANCE:
 CENTRE CONTACT: 5.00 mOhm Max
 OUTER CONTACT: 1.00 mOhm Max
 VSWR @ 4GHz: N/A
 INSERTION LOSS dB @ x 1.0 GHz: 0.10 Max
6. MECHANICAL CHARACTERISTICS
 COUPLING NUT RETENTION FORCE: N/A
 DURABILITY: 500 Cycles Min
7. ENVIRONMENTAL CHARACTERISTICS
 OPERATING TEMPERATURE: -65 to +165 DegC
8. FOR TECHNICAL DATA REFER TO YOUR LOCAL TYCO ELECTRONICS SALES OFFICE
9. ALL DIMENSIONS ARE NOMINAL FOR REFERENCE ONLY UNLESS OTHERWISE STATED



QTY	1	1	1	1	PTFE	INSULATOR	4
	-	-	1	1	BRASS	③ BODY	3
	1	1	-	-	BRASS	④ BODY	3
	1	1	1	1	PTFE	INSULATOR	2
	1	1	1	1	PHOS BRONZE	③ PIN	1
	6--2	1--2	6--0	1--0	MATERIAL	DESCRIPTION	ITEM
	①	②	①	②			
QUANTITY PER ASSY				PARTS LIST			

THIS DRAWING IS A CONTROLLED DOCUMENT.

DWN J.SANDWELL 28SEP04
 CHK S.PARLOW 28SEP04
 APVD F.WHEELER-KING 28SEP04

STE TE Connectivity

NAME: MCX ELBOW PCB SOCKET 50 OHMS

PRODUCT SPEC: -
 APPLICATION SPEC: -

SIZE: A3 CAGE CODE: 00779 DRAWING NO: C-1337586 RESTRICTED TO: -

WEIGHT: 0.000000

CUSTOMER DRAWING SCALE: NTS SHEET: 1 OF 1 REV: E1

单击下面可查看定价，库存，交付和生命周期等信息

[>>TE Connectivity\(泰科\)](#)