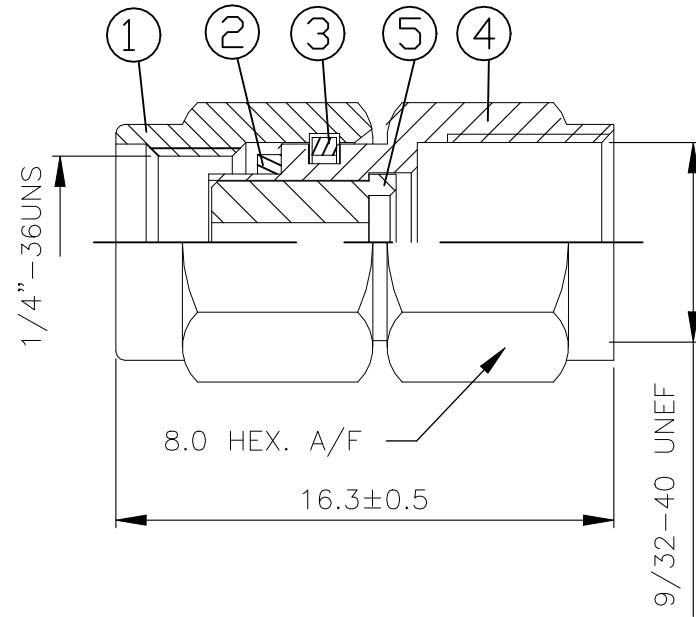
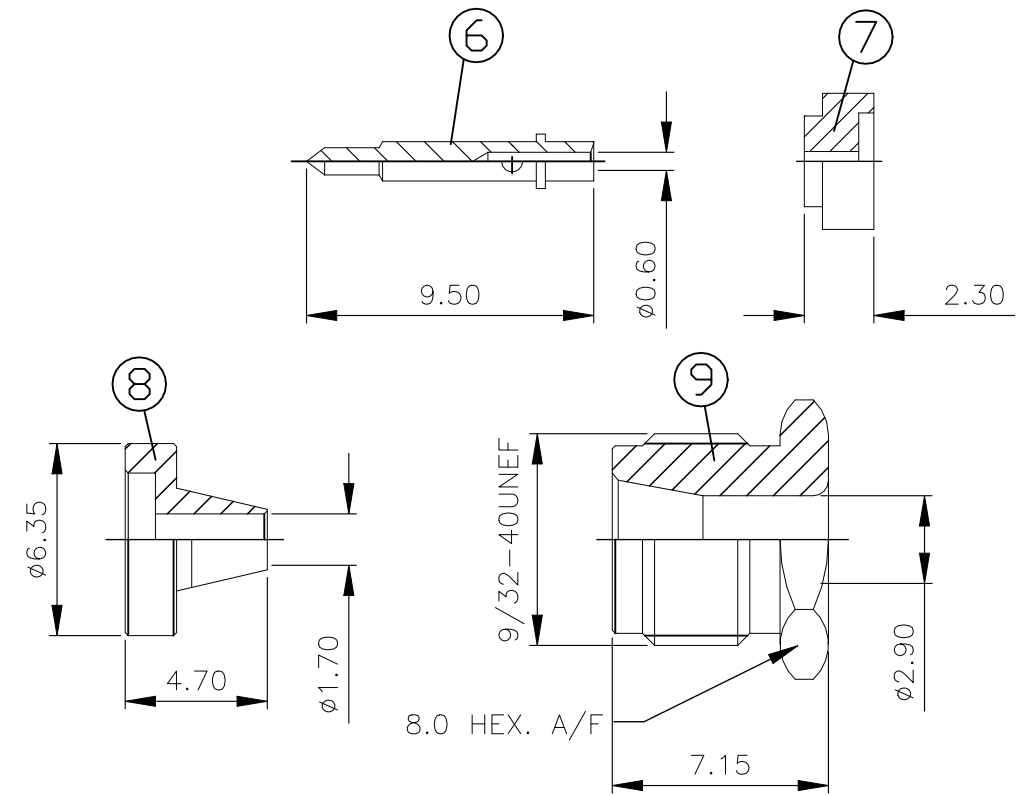


NOTES:

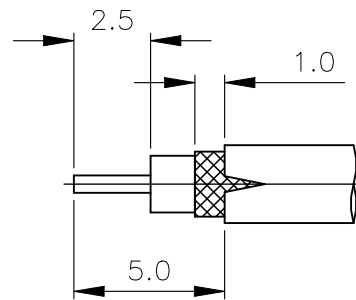
- ① SINGLE PACK IN ACCORDANCE WITH SPEC 107-3275
- ② 100 TRAY PACK IN ACCORDANCE WITH SPEC 107-3275
- ③ 0.08µm Au PLATING OVER 1.27µm Ni PLATING
- ④ 0.76µm Au PLATING OVER 1.27µm Ni PLATING OVER 0.76µm Cu PLATING
- ⑤ PASSIVATED
- 6 FOR TECHNICAL DATA REFER TO YOUR LOCAL TYCO ELECTRONICS SALES OFFICE
- 7 ALL DIMENSIONS ARE NOMINAL FOR REFERENCE ONLY UNLESS OTHERWISE STATED



REVISIONS					
P	LTR	DESCRIPTION	DATE	DWN	APVD
C		ECO-15-016833	27OCT2021	RZ	WK



RECOMMENDED CABLE STRIPPING DIM'S



QTY	QTY	QTY	QTY	MATERIAL	DESCRIPTION	ITEM
1	1	-	-	STAINLESS STEEL	NUT	9
-	-	1	1	STAINLESS STEEL	NUT	9
1	1	-	-	STAINLESS STEEL	CLAMP	8
-	-	1	1	STAINLESS STEEL	CLAMP	8
1	1	1	1	PTFE	INSULATOR 2	7
1	1	1	1	BRASS	CENTER CONTACT	6
1	1	1	1	PTFE	INSULATOR 1	5
1	1	-	-	STAINLESS STEEL	BODY	4
-	-	1	1	STAINLESS STEEL	BODY	4
1	1	1	1	STAINLESS STEEL	CIRCLIP	3
1	1	1	1	SILICONE	GASKET	2
1	1	-	-	STAINLESS STEEL	SHELL	1
-	-	1	1	STAINLESS STEEL	SHELL	1
2--1	2--0	1--1	1--0	MATERIAL	DESCRIPTION	ITEM
②	①	②	①			

THIS DRAWING IS A CONTROLLED DOCUMENT.		DWN R.SMITH 10FEB04	TE Connectivity		
DIMENSIONS: mm		CHK S.PARLOW 10FEB04			
TOLERANCES UNLESS OTHERWISE SPECIFIED:		APVD F.WHEELER-KING 10FEB04	NAME		
0 PLC ± - 1 PLC ± 0.3 2 PLC ± 0.2 3 PLC ± - 4 PLC ± - ANGLES ± - FINISH -		PRODUCT SPEC	SMA ST PLUG SOLDER PIN, CLAMP		
MATERIAL SEE TABLE		APPLICATION SPEC	RG188A/U, 316/U, RG174A/U, URM95, KX3B, KX22A		
		408-32075	SIZE	CAGE CODE	DRAWING NO
		WEIGHT 0.000000	A3	00779	C-1478908
		CUSTOMER DRAWING	SCALE 1:1	SHEET 1 OF 1	REV C

单击下面可查看定价，库存，交付和生命周期等信息

[>>TE Connectivity\(泰科\)](#)