

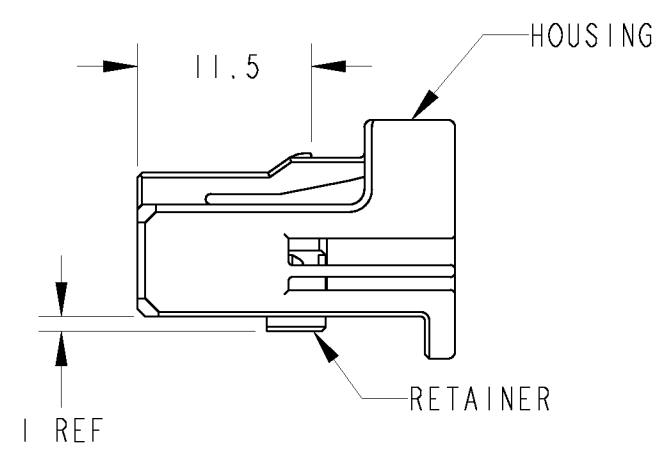
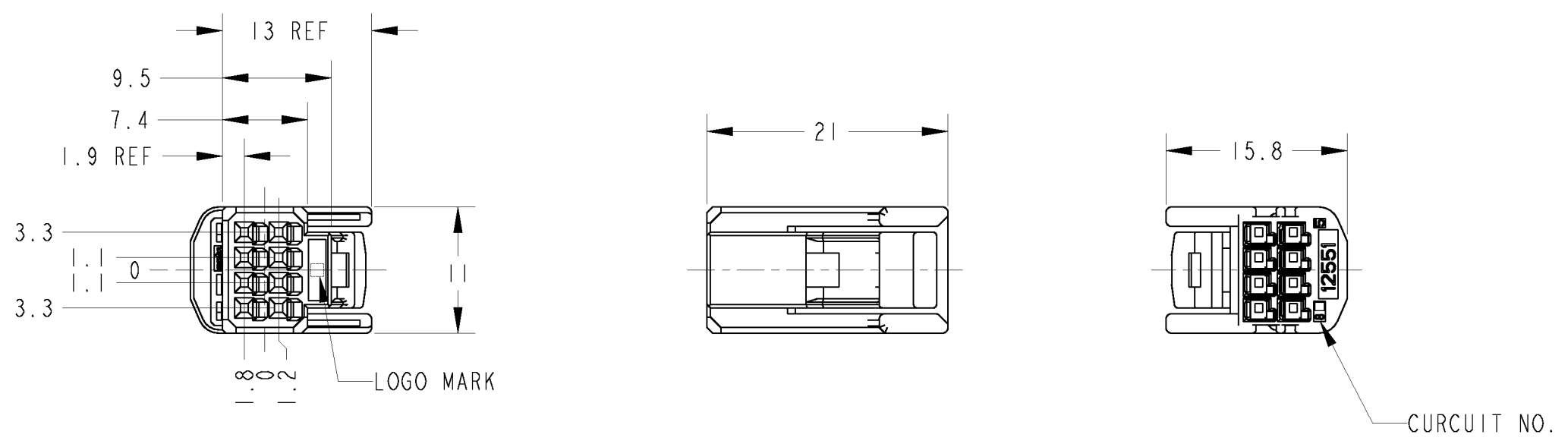
THIS DRAWING IS UNPUBLISHED.

RELEASED FOR PUBLICATION

© COPYRIGHT -

ALL RIGHTS RESERVED.

LOC	DIST	REVISIONS					
		P	LTR	DESCRIPTION	DATE	DWN	APVD
J	-		A	REVISED PER ECO-11-005140	09APR2011	RK	HMR



1. RETAINER SHOULD BE SENT TO THE PRE-ASSEMBLY.
2. INSTRUCTION SHEET NO. 411-78080.
3. PART NUMBER OF CAP HOUSING TO BE MATED : SEE TABLE-1
4. APPLIED TERMINALS : SEE TABLE-2

1. プラグハウジングにリテーナを仮係止して出荷される
2. 取扱説明書NO. 411-78080
3. 嵌合相手型番 : TABLE-1参照
4. 適用端子 : TABLE-2参照

TABLE - 1

POS 種数	CAP ASSEMBLY PART NO. キャップ 型番	
8	W-W	1473793
	W-B	1376350

TABLE - 2

SIGNAL 0.64 III	TIN	TERMINAL NO. 端子型番	APPLICABLE WIRE RANGE 適用電線
		1674311-1	AVSS/CAVS/CAVUS/AVSSH-f 0.3~0.5mm ²
SELECTIVE GOLD		1674936-1	CAVS/CAVUS/CHFUS 0.22mm ²
		1674311-2	AVSS/CAVS/CAVUS/AVSSH-f 0.3~0.5mm ²
		1674936-2	CAVS/CAVUS/CHFUS 0.22mm ²

PACKING STYLE 梱包形態	COLOR	PART NUMBER
PAPER BOX ダンボール	BLACK	1717103-2
PLASTIC BAG ビニール袋	NATURAL	1717103-1
OUTER 外装	COLOR	PART NUMBER
INNER 内装		

THIS DRAWING IS A CONTROLLED DOCUMENT.

DIMENSIONS: 単位: 概 mm	TOLERANCES UNLESS OTHERWISE SPECIFIED: 一般公差 ±0.3 0-PLC ± 1-PLC ±0.1 2-PLC ±0.01 3-PLC ±0.001 4-PLC ±0.0001 ANGLES ±3'00"
MATERIAL 材料 PBT	FINISH 仕上 SEE TABLE

DWN S. AMEMIYA	26JAN04
CHK H. YAMAGAMI	26JAN04
APVD K. ASAI	26JAN04
PRODUCT SPEC 製品規格	108-5931
APPLICATION SPEC 取付適用規格	114-5329
WEIGHT	1.7 g

TE TE Connectivity

0.64111 8P PLUG HSG ASSEMBLY

SIZE A3	CAGE CODE 00779	DRAWING NO C=1717103	RESTRICTED TO -
------------	--------------------	-------------------------	--------------------

CUSTOMER DRAWING SCALE 2:1 SHEET 1 OF 1 REV A1

单击下面可查看定价，库存，交付和生命周期等信息

[>>TE Connectivity\(泰科\)](#)