

Thermofit Molded Parts Specification Control Drawing

Part Number : 322A315
Description : Transition, 90°
Side Breakout

NOTES

- All dimensions are in $\frac{\text{inches}}{\text{[millimeters]}}$; $\frac{\text{lbs}}{\text{[gms]}}$
- Dimensions appearing in table are as follows:
 - a - As Supplied
 - b - After Unrestricted Recovery
- Coating is optional. As supplied dimensions appearing in table are for uncoated parts. When coating is added, entry diameters will be reduced by .06 max.
- Molding ports are optional. When -00 modification number is specified molding ports will be located as shown.
- Weight appearing in table of dimensions is based on polyolefin part.

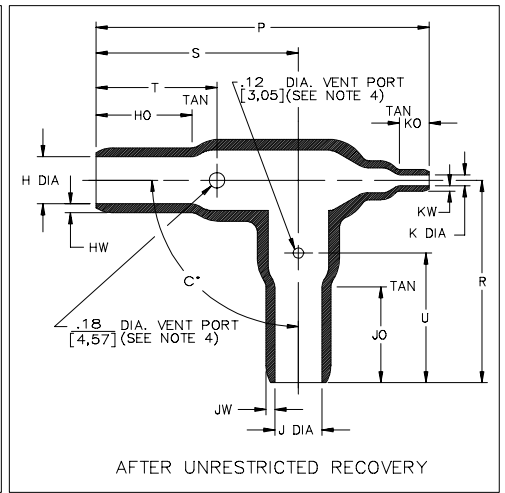
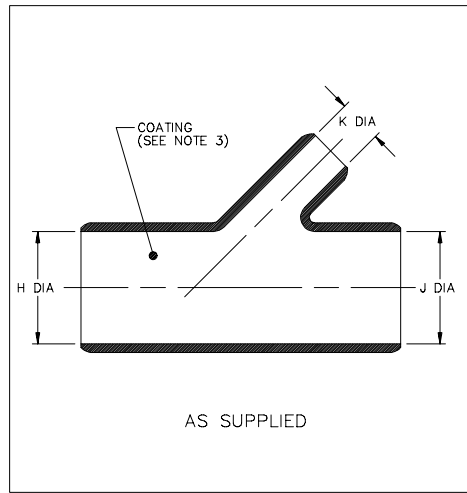


TABLE OF DIMENSIONS

PART NUMBER	H & J		K		P ±10% b	R & S ±10% b	T ±10% b	U ±10% b	HO & JO ±10% b	KO ±10% b	HW & JW ±20% b	KW ±20% b	C* ±5° b	Weight Nom b
	Min	Max	Min	Max										
	a	b	a	b										
322A315	1.16 [29,5]	.64 [16,3]	.38 [9,6]	.21 [5,3]	3.67 [93,2]	2.23 [56,6]	1.40 [35,6]	1.50 [38,1]	1.02 [25,9]	.30 [7,6]	.10 [2,54]	.07 [1,78]	90°	.062 [28,12]

Raychem

RAYCHEM CORPORATION
300 CONSTITUTION DRIVE
MENLO PARK, CALIFORNIA 94025

Revision : D
Date : 4/7/94

Part Number : 322A315
Description : Transition, 90°
Side Breakout

Thermofit Molded Parts Specification Control Drawing

Part Number : 322A315
Description : Transition, 90°
Side Breakout

COMPATABILITY CHART

MATERIAL DASH NO.	MATERIAL DESCRIPTION	RT SPEC	COATING SLASH NO.	COATING S NO.	COATING DESCRIPTION
-3	Polyolefin, Semi-Rigid	RT-301	/42, /86	S-1017, S-1048	Adhesive
-4	Polyolefin, Flexible	RT-1304	/42, /86	S-1017, S-1048	Adhesive
-5	Elastomer, Flexible	RT-501			
-6	Silicone	RT-602			
-12	*VITON, Flexible	RT-1312			
-25	Elastomer, Semi-Rigid	RT-1325	/86	S-1048	Adhesive

*VITON is a Registered Trademark of DuPont

ORDERING INFORMATION

322A315 -XX -XX /XXX

Base part number _____

Material dash number _____
(See Compatibility Chart)

Modification number _____
(If necessary, see front of scd binder for a complete list)

Adhesive slash number _____
(If necessary, see Compatibility Chart)

THIS DRAWING IS SUBJECT TO CHANGE WITHOUT NOTICE; CONSULT YOUR NEAREST FIELD REPRESENTATIVE FOR CURRENT REVISION

If this document is printed it becomes uncontrolled.
Check for the latest revision.

Raychem

RAYCHEM CORPORATION
300 CONSTITUTION DRIVE
MENLO PARK, CALIFORNIA 94025

Revision : D
Date : 4/7/94

Part Number : 322A315
Description : Transition, 90°
Side Breakout

单击下面可查看定价，库存，交付和生命周期等信息

[>>TE Connectivity\(泰科\)](#)