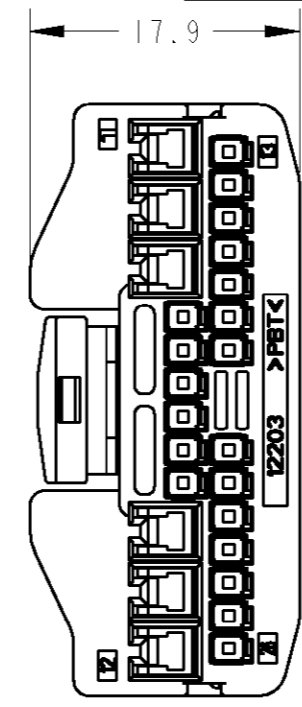
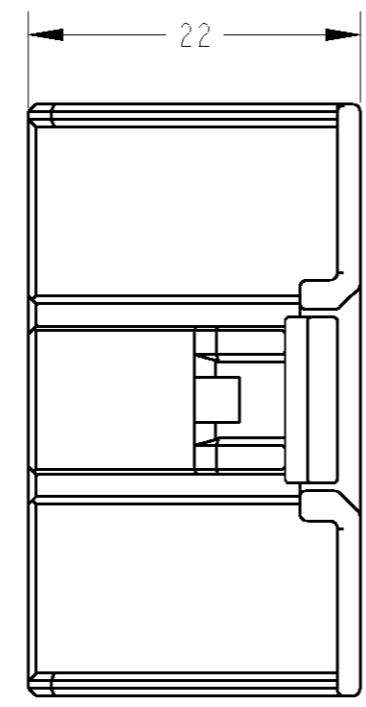
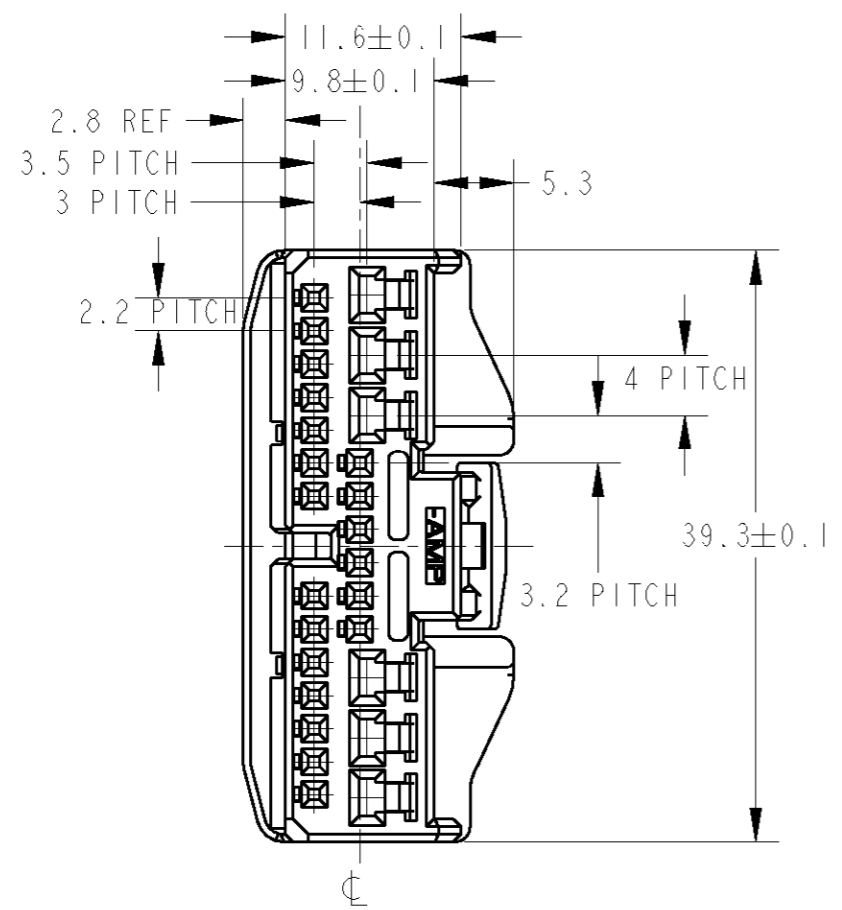


THIS DRAWING IS UNPUBLISHED. RELEASED FOR PUBLICATION 2000
 © COPYRIGHT 2000 BY TYCO ELECTRONICS CORPORATION. ALL RIGHTS RESERVED.

LOC	DIST	REVISIONS						
		P	LTR	DESCRIPTION	DATE	DWN	APVD	
J	//		0	RELEASED	FJ00-1644-00	140CT2000	R.N	N.S



1. RETAINER SHOULD BE SET TO THE PRE-ASSEMBLY POSITION WITHIN THE PLUG HOUSING WHEN SHIPPED TO THE CUSTOMER
2. THE PRE-RETENTION LATCH OF THE RETAINER MUST BE OUT SIDE OF PLUG HOUSING WHEN PRE-ASSEMBLY
3. MATING CONNECTOR PART NO.: 1376357
4. DETAILS OF CAVITIES: SEE TABLE-2
5. HANDLING OF THIS PART SHOULD FOLLOW THE INSTRUCTION SHEET NO. 411-5927
6. APPLIED CONTACT PART NUMBER: SEE TABLE-2, 3

1. プラグハウジングにリテーナを仮係止して出荷される
2. 仮係止時、リテーナ突起がハウジングの外側に出ていること
3. 嵌合相手コネクタ品番: 1376357
4. キャビティ構成: TABLE-2参照
5. 本製品の取扱は取扱説明書NO. 411-5927に従うこと
6. 内装するリセパタクルコンタクト品番: TABLE-2, 3参照

TABLE-2

	POS 極数	APPLIED TERMINAL P/N 適用端子型番	APPLICABLE WIRE RANGE 適用電線
SIGNAL 025	20	1123343-1(TIN) 1123343-2(SELECTIVE GOLD)	CAVS 0.22-0.5mm ² AVSS/CAVUS 0.3-0.5mm ² AVSSH-F 0.3-0.5mm ²
POWER 09011	6	S : SEE TABLE-3(TIN)	CAVUS 0.3-0.5mm ² CAVS/AVSS 0.3-0.5mm ² AVS 0.3-0.5mm ²
		M : SEE TABLE-3(TIN)	CAVUS 0.5-1.25mm ² CAVS/AVSS 0.5-1.25mm ² AVS 0.5-1.25mm ²
		L : SEE TABLE-3(TIN)	AVSS 2mm ²

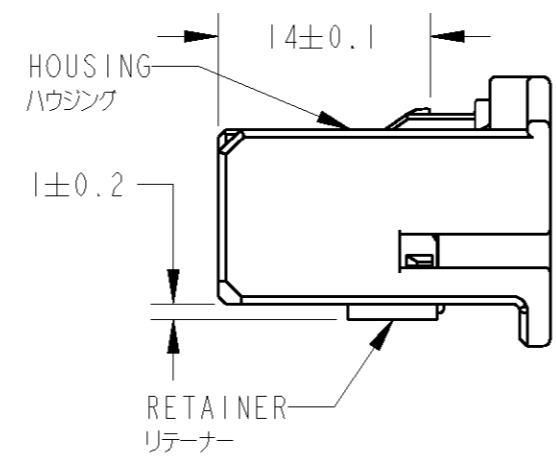


TABLE-1

CARTON BOX ダンボール箱	PLASTIC BAG ビニール袋	NATURAL 自然色	1376360-1
OUTER 外表	INNER 内装	COLOR 色	PART NUMBER 型番
PACKING STYLE 梱包形態			

TABLE-3

CONTACT MAKER 使用端子メーカー	CONTACT SIZE 端子サイズ		
	S	M	L
YAZAKI PARTS CO., LTD. 矢崎部品(株)殿	7116-4020	7116-4021	7116-4022
SUMITOMO WIRING SYSTEMS, LTD. 住友電装(株)殿	8240-4882	8240-4892	8240-4942
TOKAI RIKI CO., LTD. (株)東海理化電機製作所殿	4R1190-0004E	4R1191-0004E	4R1192-0005F

THIS DRAWING IS A CONTROLLED DOCUMENT FOR TYCO ELECTRONICS CORPORATION
 IT IS SUBJECT TO CHANGE AND THE CONTROLLING ENGINEERING ORGANIZATION
 SHOULD BE CONTACTED FOR THE LATEST REVISION.

DIMENSIONS: mm	TOLERANCES UNLESS OTHERWISE SPECIFIED: 一般公差 = ± 0.3
	0-PLC ±
	1-PLC ±0.1
	2-PLC ±0.01
	3-PLC ±0.001
4-PLC ±0.0001	ANGLES ±30°
MATERIAL PBT	FINISH SEE TABLE-1

DWN R. NAGAI 140CT2000	AMP Tyco Electronics AMP K.K. Kawasaki, Japan
CHK T. HAYASHI 140CT2000	
APVD N. SAI 140CT2000	
PRODUCT SPEC 108-5667	NAME 025/090 SERIES CONNECTOR 26POSITION PLUG HOUSING ASSEMBLY
APPLICATION SPEC 114-5250	SIZE A3 CAGE CODE 00779 DRAWING NO C-1376360
WEIGHT 7.02 g	RESTRICTED TO //
CUSTOMER DRAWING	SCALE 2:1 SHEET 1 OF 1 REV 0

单击下面可查看定价，库存，交付和生命周期等信息

[>>TE Connectivity\(泰科\)](#)