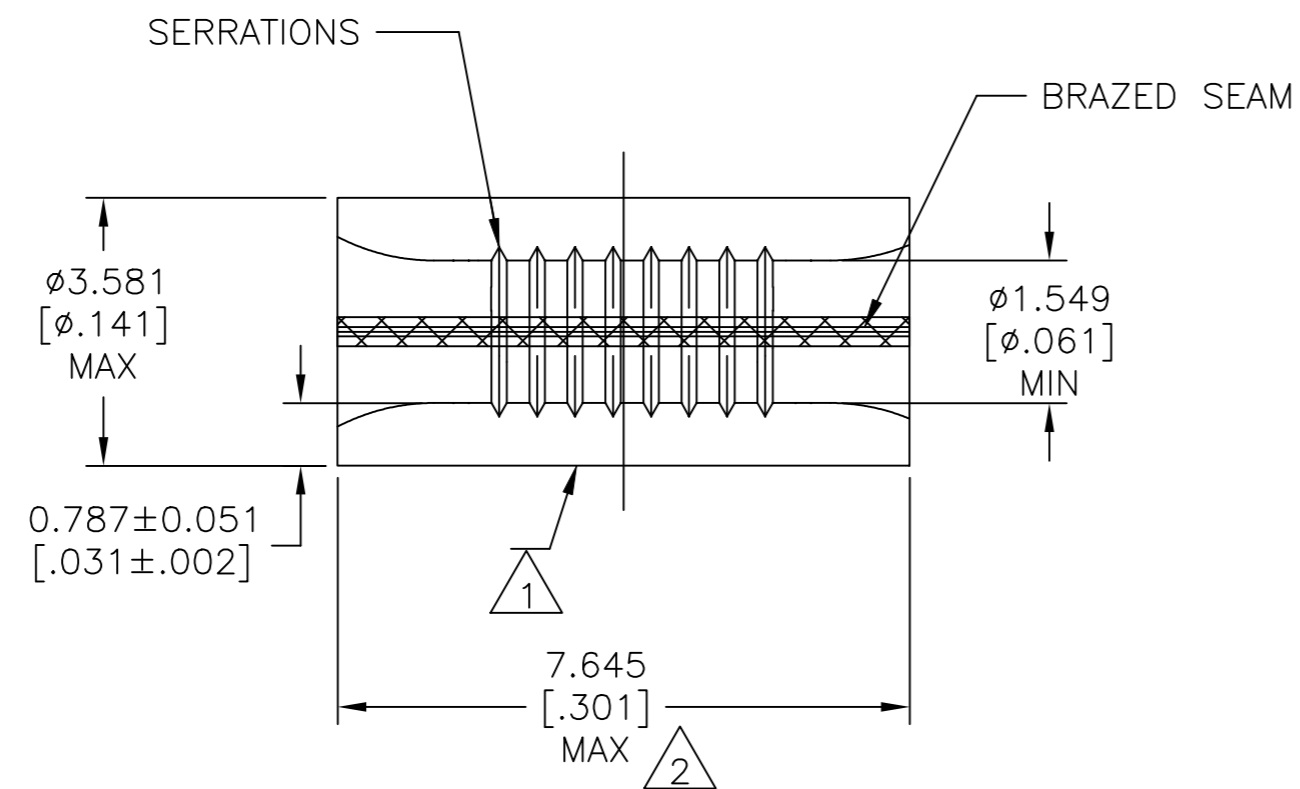


THIS DRAWING IS UNPUBLISHED. RELEASED FOR PUBLICATION
 © COPYRIGHT - By - ALL RIGHTS RESERVED.

| REVISIONS | | | | | |
|-----------|-----|----------------------------|-----------|-----|------|
| P | LTR | DESCRIPTION | DATE | DWN | APVD |
| T | | REVISED PER ECO-110-012870 | 28APR11 | HMR | DR |
| T1 | | REVISED PER ECO-17-008808 | 28FEB2018 | RS | DR |

AMP
WIRE RANGE

22-16 AWG
SOLID OR STRANDED



- 1 STAMP AMP 22-18* APPROX AS SHOWN 22-16 SPLICES ARE STAMPED 22-18 IN ACCORDANCE WITH MILITARY SPEC SAE AS7928 COMMERCIAL WIRE RANGE IS 22-16
- 2 MAXIMUM LENGTH DOES NOT INCLUDE MANUFACTURING TABS.
- 3 GOLD PLATE 0.00127 [.000050] MIN EXT THK PER ASTM B 488 TYPE 1, CODE C OVER NICKEL PLATE 0.00127 [.000050] MIN EXT THK PER SAE AMS QQ-N-290. OVER Cu FLASH PER SAE AMS 2418.
- 4 CSA CERTIFIED LR7189, 22-16 AWG SOLID OR STRANDED
- 5 UL LISTED E13288, 22-16 AWG SOLID OR STRANDED.
- 6 MATERIAL: COPPER PER ASTM B-152 ANNEALED
- 7 0.00254 [.000100] MIN EXT THK TIN PLATE PER ASTM B-545
- 8 0.00254 [.000100] MIN EXT THK TIN-LEAD (60/40) PLATE PER SAE-AMS-P-81728

| | | | | |
|---------------|-----------|------|------------------|-------------|
| 170°C [338°F] | 4 5 | 100 | LOOSE PIECE, BOX | 7 8-34130-1 |
| 170°C [338°F] | -- | 1000 | LOOSE PIECE | 8 34130-4 |
| 260°C [500°F] | -- | 1000 | LOOSE PIECE | 3 34130-3 |
| 170°C [338°F] | 4 5 | 1000 | LOOSE PIECE | 7 34130 |
| MAX TEMP | APPROVALS | QTY | PACKAGE TYPE | PART NO |

| | | |
|--|--|---|
| AMP INCORPORATED CUSTOMER SERVICE SYSTEMS | | MAX RECOMMENDED OPERATING TEMPERATURE: SEE TABLE |
| FOR ADDITIONAL PRODUCT INFORMATION OR COPIES OF DRAWINGS AND TECHNICAL DOCUMENTS | PRODUCT INFORMATION CENTER 1-800-522-6752 | VOLTAGE RATING: N/A |
| FOR APPLICATION TOOLING INFORMATION | TOOLING ASSISTANCE CENTER 1-800-722-1111 | CIRCULAR MIL AREA: 0.26-1.65mm² [509-3,260] SOLID OR STRANDED |
| FOR ORDER ENTRY | 1-800-526-5142 | THIS DRAWING IS A CONTROLLED DOCUMENT FOR AMP INCORPORATED. IT IS SUBJECT TO CHANGE AND THE CONTROLLING ENGINEERING ORGANIZATION SHOULD BE CONTACTED FOR THE LATEST REVISION. |

| | | | | | |
|--|--|--------------------------------|--|-----------------------|--------------------|
| THIS DRAWING IS A CONTROLLED DOCUMENT. | | DWN TA BRINKMAN 4-14-93 | TE Connectivity Ltd. | | |
| DIMENSIONS: mm [INCHES] | | CHK DA PATTERSON 4-14-93 | NAME SPLICE, PARALLEL, SOLISTRAND 22-16 AWG | | |
| TOLERANCES UNLESS OTHERWISE SPECIFIED: 0 PLC ± - 1 PLC ± - 2 PLC ± - 3 PLC ± 0.127 [.005] 4 PLC ± - ANGLES ± - | | APVD J MECKLEY 4-14-93 | PRODUCT SPEC UL 486 C | | |
| MATERIAL 6 | | FINISH SEE TABLE | WEIGHT A2 00779 | DRAWING NO C=34130 | RESTRICTED TO - |
| CUSTOMER DRAWING | | | SCALE 10:1 | SHEET 1 of 1 | REV T1 |

单击下面可查看定价，库存，交付和生命周期等信息

[>>TE Connectivity\(泰科\)](#)