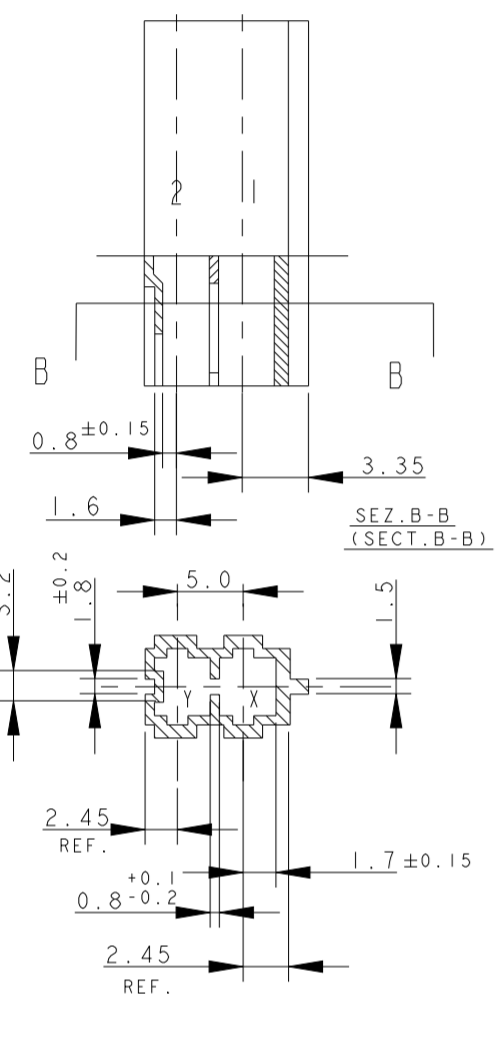


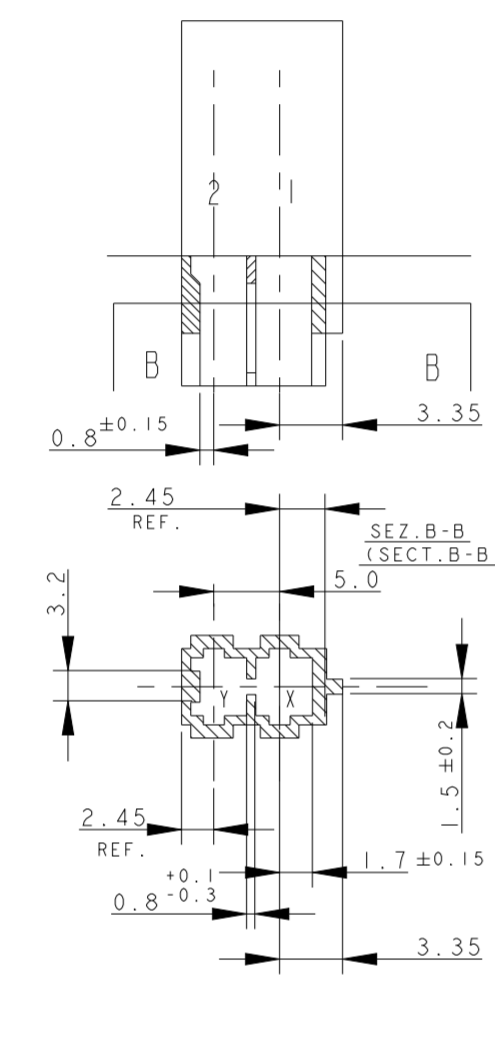
THIS DRAWING IS UNPUBLISHED. RELEASED FOR PUBLICATION  
 COPYRIGHT copyright.dBTe- ALL RIGHTS RESERVED.

REVISIONS					
P	LTR	DESCRIPTION	DATE	DWN	APVD
Z39		ECR-21-103265	19MAY2021	SM	FL
Z40		ECR-21-108462	10AUG2021	SM	FL
Z41		ECR-21-110402	01SEP2021	KD	FL
Z42		ECR-21-115913	04OCT2021	SM	FL

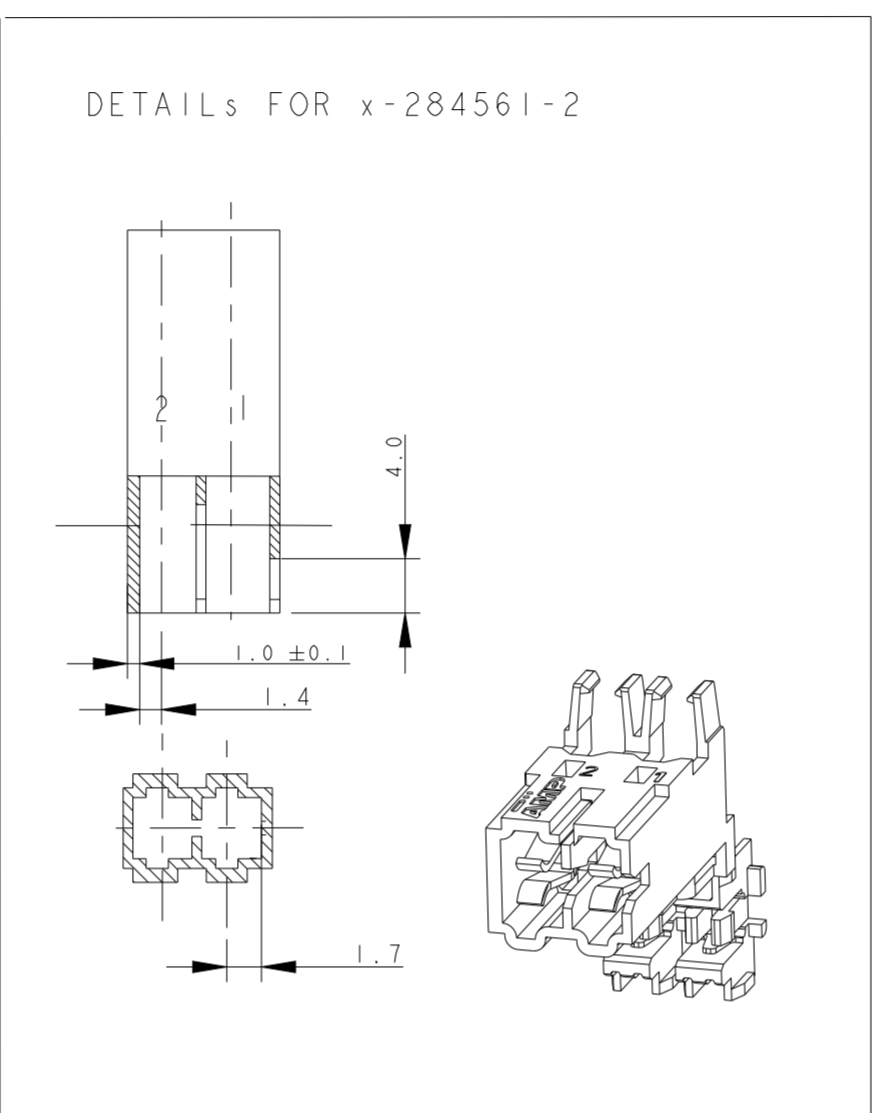
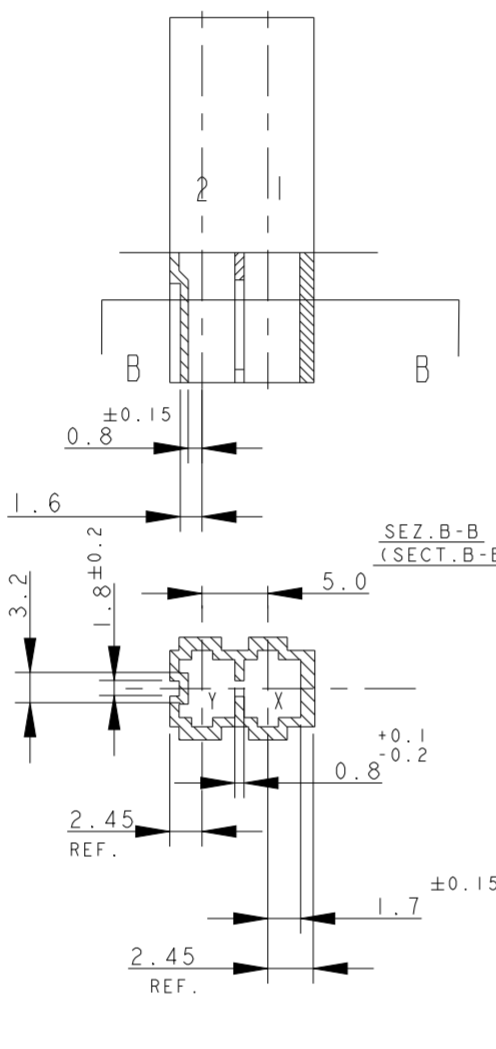
RAPPRESENTAZIONE GRAFICA DEI P/Ns:  
 (GRAPHICAL REPRESENTATION OF P/Ns:)  
 x-282042-1



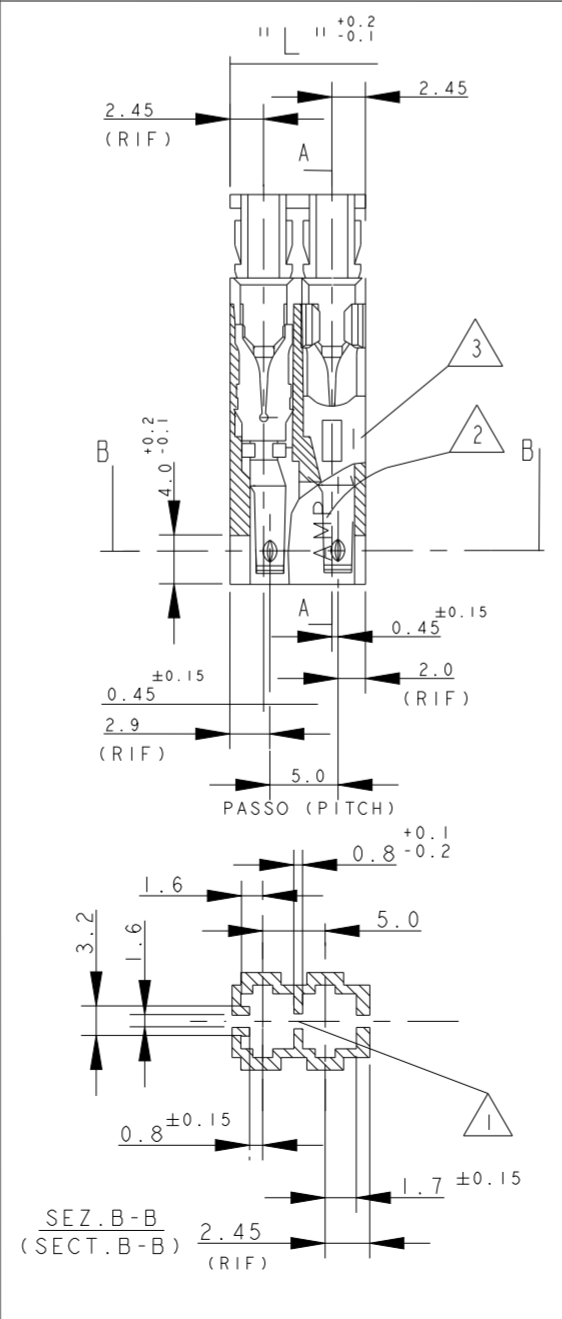
RAPPRESENTAZIONE GRAFICA DEI P/Ns:  
 (GRAPHICAL REPRESENTATION OF P/Ns:)  
 x-282042-2



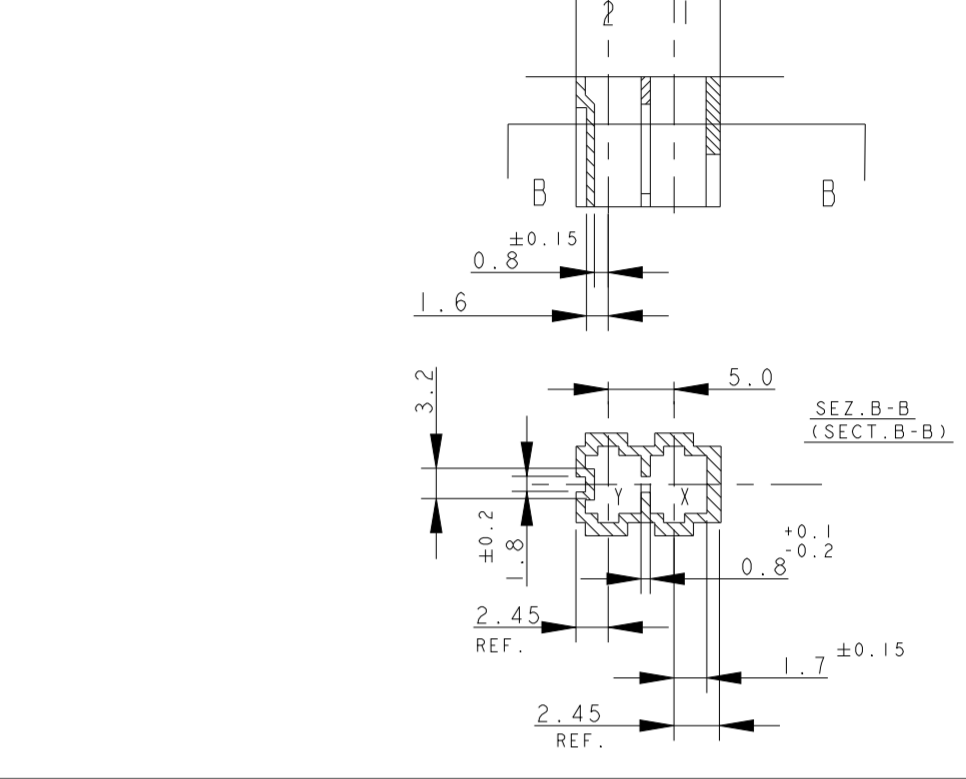
RAPPRESENTAZIONE GRAFICA DEI P/Ns:  
 (GRAPHICAL REPRESENTATION OF P/Ns:)  
 x-282042-3 & 0-2293372-2 & x-2298752-2



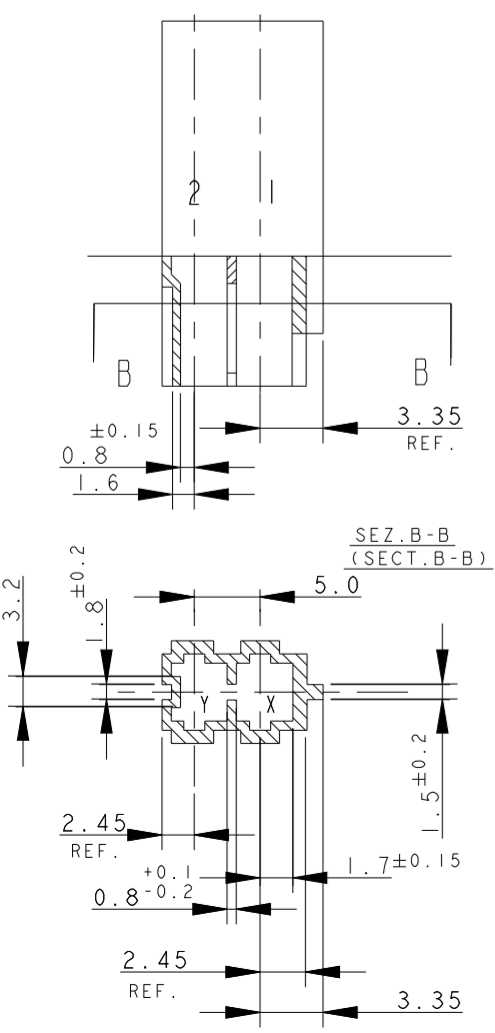
RAPPRESENTAZIONE GRAFICA DEI P/Ns:  
 (GRAPHICAL REPRESENTATION OF P/Ns:)  
 x-284561-1



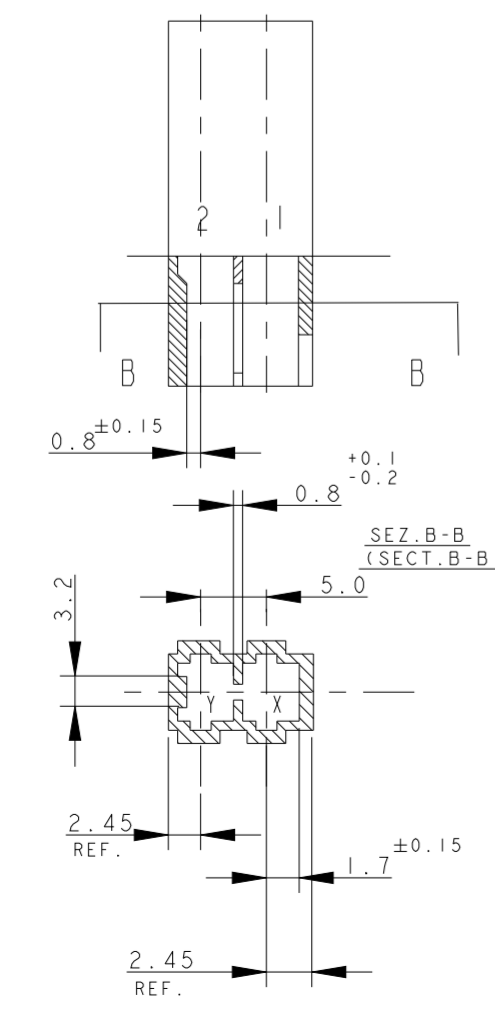
RAPPRESENTAZIONE GRAFICA DEI P/Ns:  
 (GRAPHICAL REPRESENTATION OF P/Ns:)  
 1-2293372-2



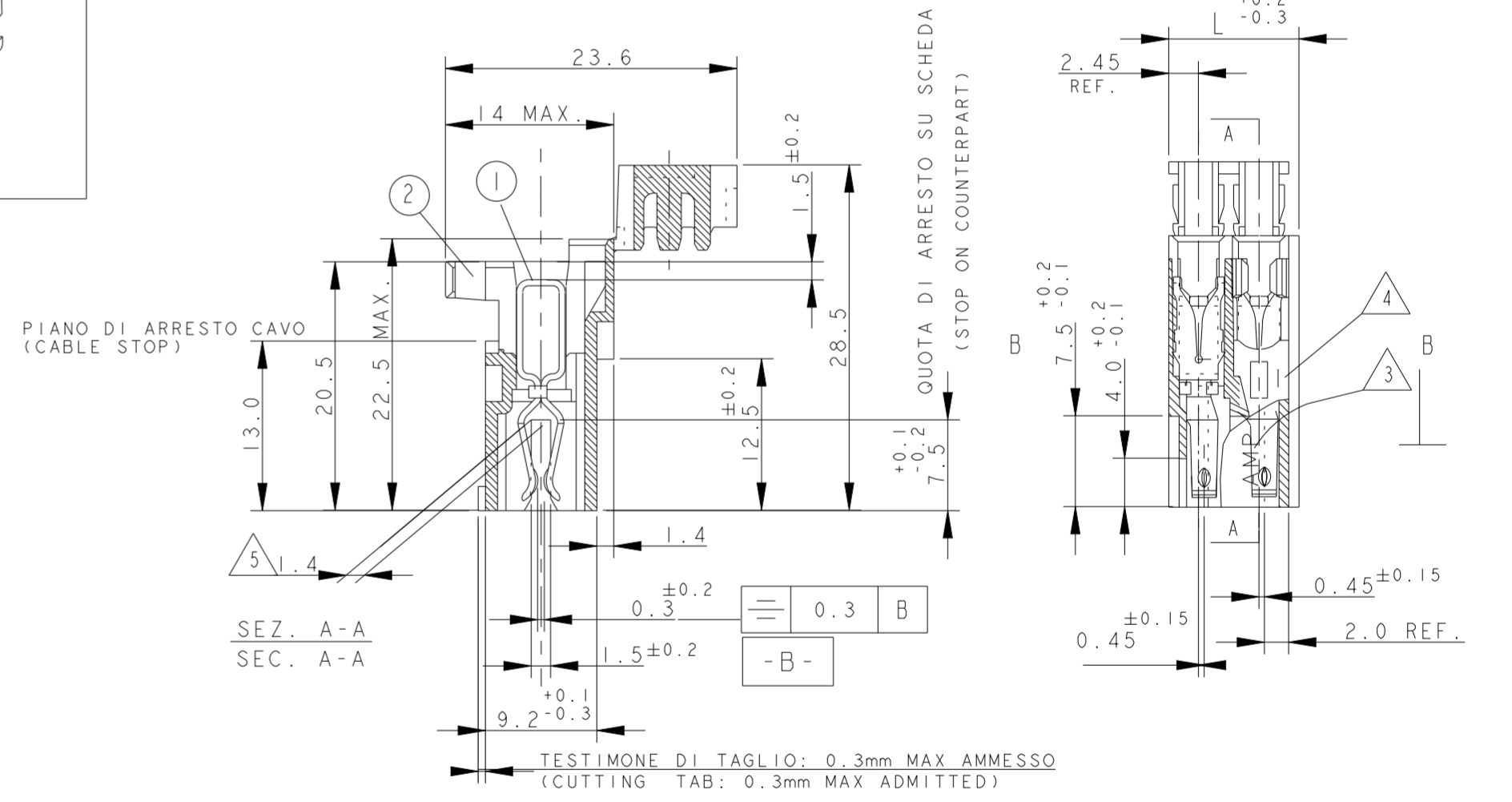
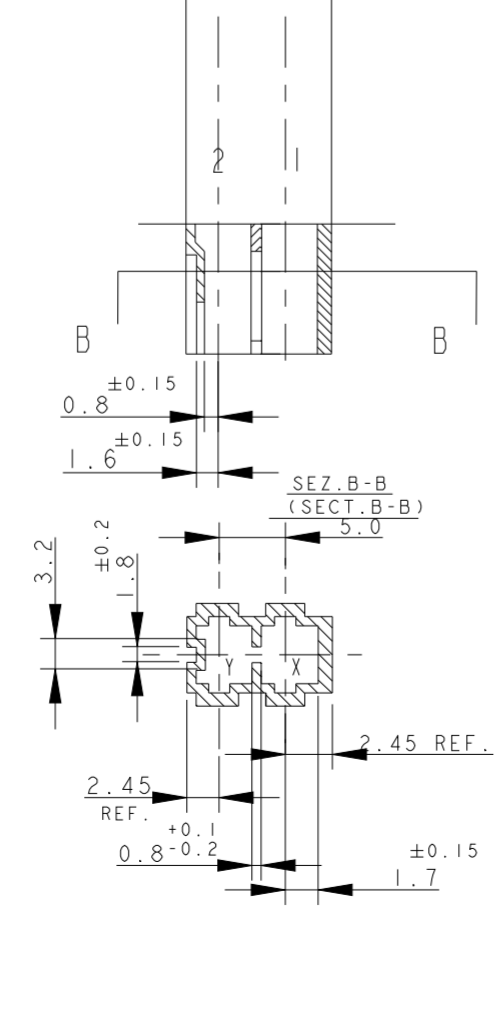
RAPPRESENTAZIONE GRAFICA DEI P/Ns:  
 (GRAPHICAL REPRESENTATION OF P/Ns:)  
 x-282042-4



RAPPRESENTAZIONE GRAFICA DEI P/Ns:  
 (GRAPHICAL REPRESENTATION OF P/Ns:)  
 x-282042-5, 2-2293372-2



RAPPRESENTAZIONE GRAFICA DEI P/Ns:  
 (GRAPHICAL REPRESENTATION OF P/Ns:)  
 x-282042-6



6) PN NOT YET RELEASED FOR PRODUCTION  
 7) SEE FURTHER SHEETS FOR PN TABLES  
 10) PER LE DIMENSIONI DELLE DIME DEL CIRCUITO STAMPATO VEDERE FOGLIO 5 E 6  
 (FOR PCB LAYOUT AND DIMENSIONS SEE SHEET 5 AND 6)

DIAM. ISOLANTE (INS. DIA. RANGE)  
 2.6 - 2.8  
 RANGO FILO (WIRE RANGE)  
 0.5-0.75

THIS DRAWING IS A CONTROLLED DOCUMENT.		DWN C.CORDOLA 23JUL1996	NAME MONO-SHAPE, MK1 PCB CONNECTOR 2-12 POS.
DIMENSIONS: mm		CHK G.TURCO 23JUL1996	
TOLERANCES UNLESS OTHERWISE SPECIFIED:		APVD G.TURCO 23JUL1996	SIZE A2
0 PLC ± 0.3	1 PLC ± 0.3	PRODUCT SPEC 108-20067	CAGE CODE 1
2 PLC ± 0.3	3 PLC ± 0.3	APPLICATION SPEC 114-20018	DRAWING NO C-282042
4 PLC ± 0.3	ANGLES ± 2°	WEIGHT -	RESTRICTED TO
MATERIAL CONNETTORE NYLON (CONNECTOR NYLON) CONTATTO OTTONE (CONTACT BRASS)		FINISH STAGNATO (TIN PLATED)	SCALE 2:1
CUSTOMER DRAWING		SHEET 11	REV Z42

**STE** TE Connectivity

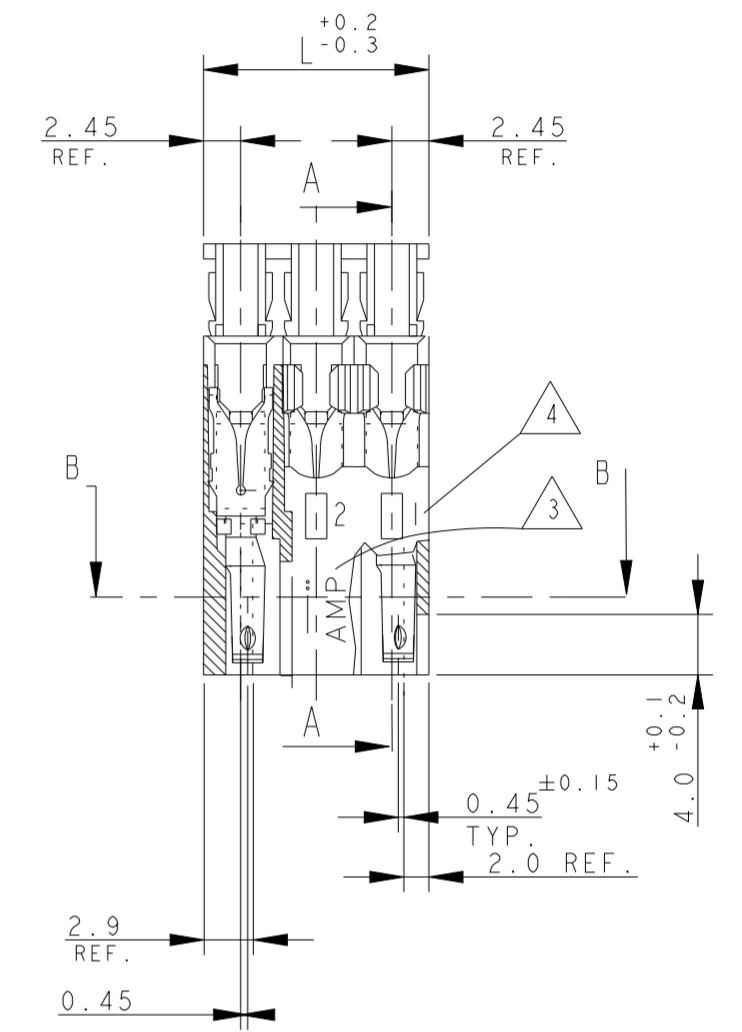
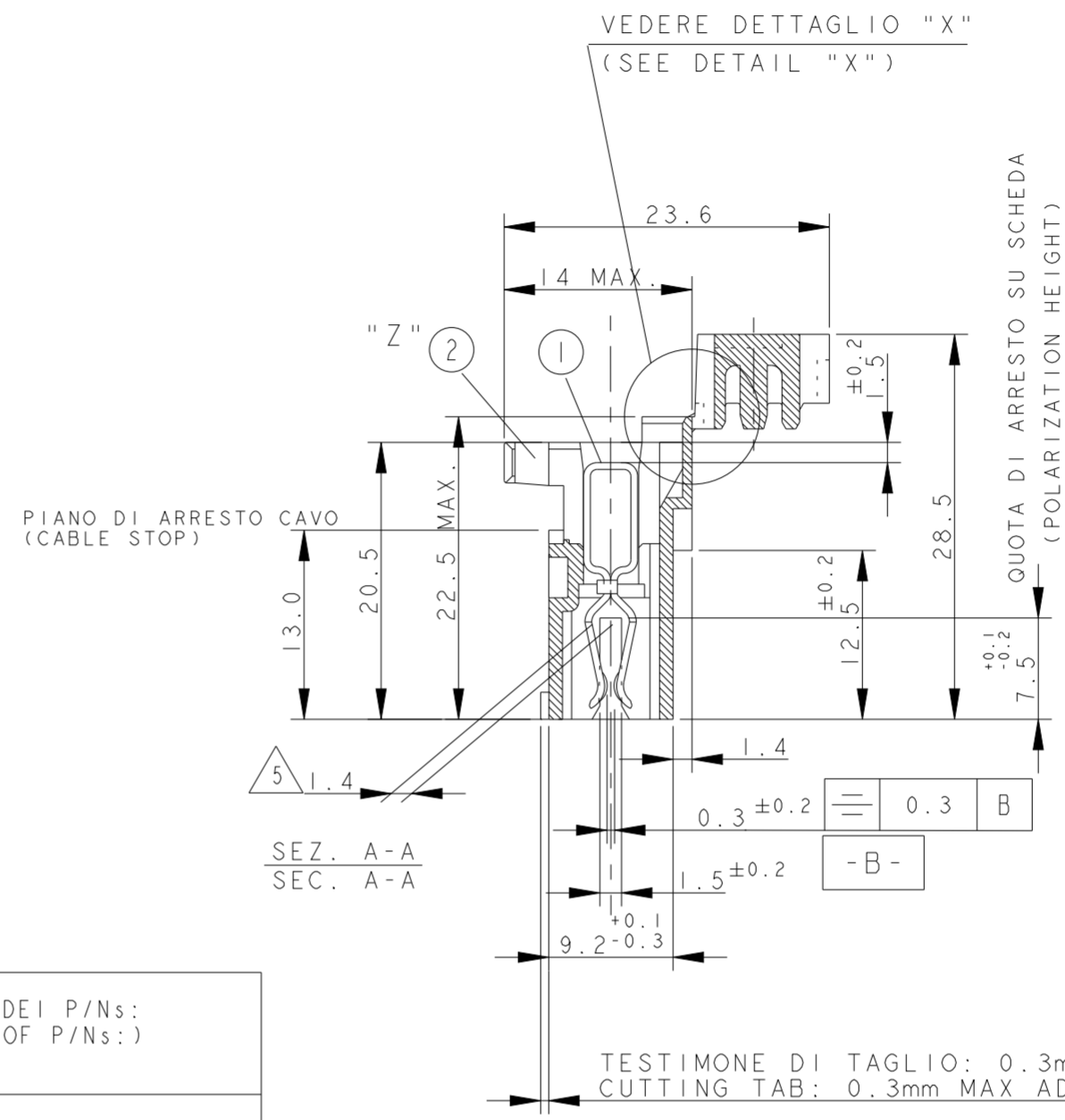
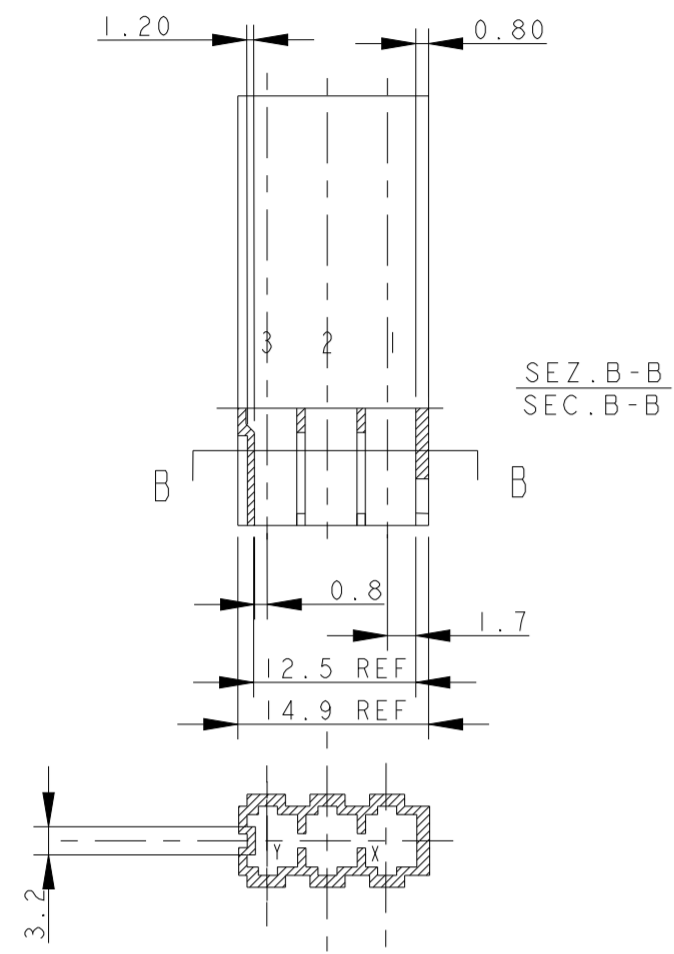
MONO-SHAPE, MK1  
PCB CONNECTOR 2-12 POS.

SCALE 2:1 SHEET 11 OF 11 REV Z42

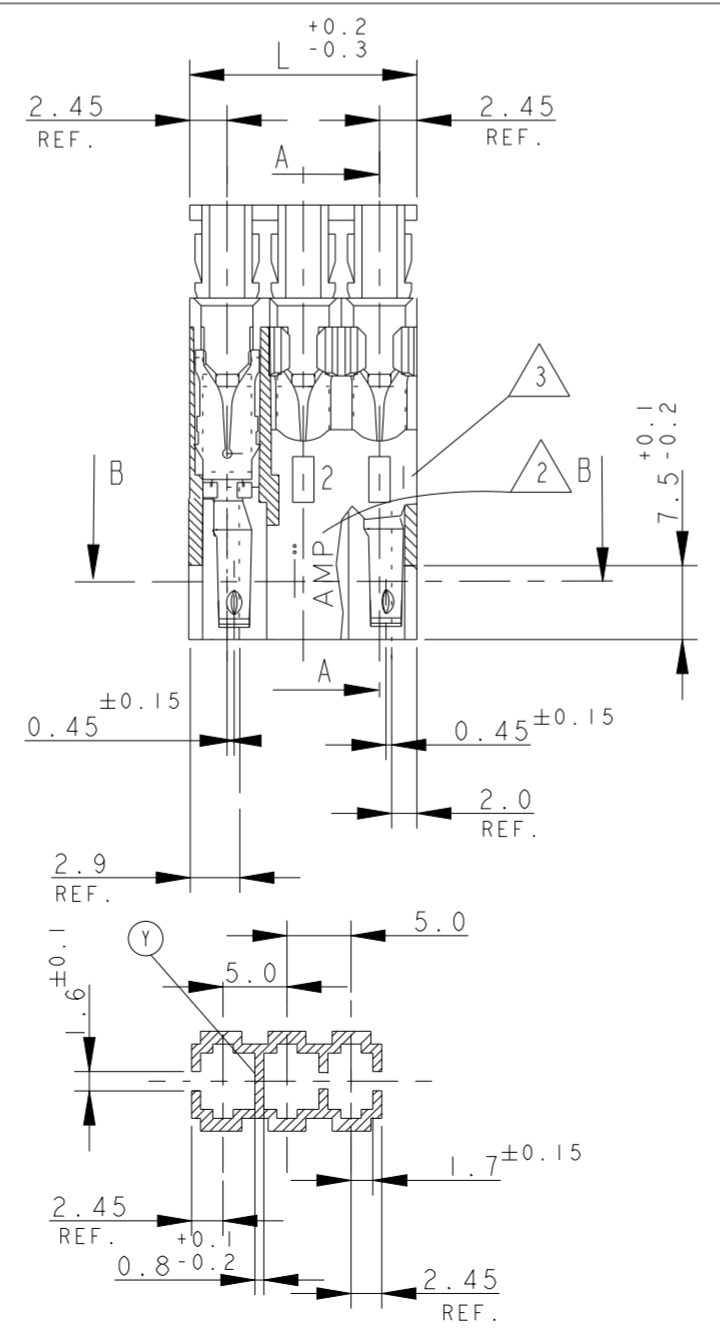
THIS DRAWING IS UNPUBLISHED. RELEASED FOR PUBLICATION  
 © COPYRIGHT copyright dbTe- ALL RIGHTS RESERVED.

REVISIONS				
P	LTR	DESCRIPTION	DATE	APVD
-	-	SEE SHEET 1	-	-

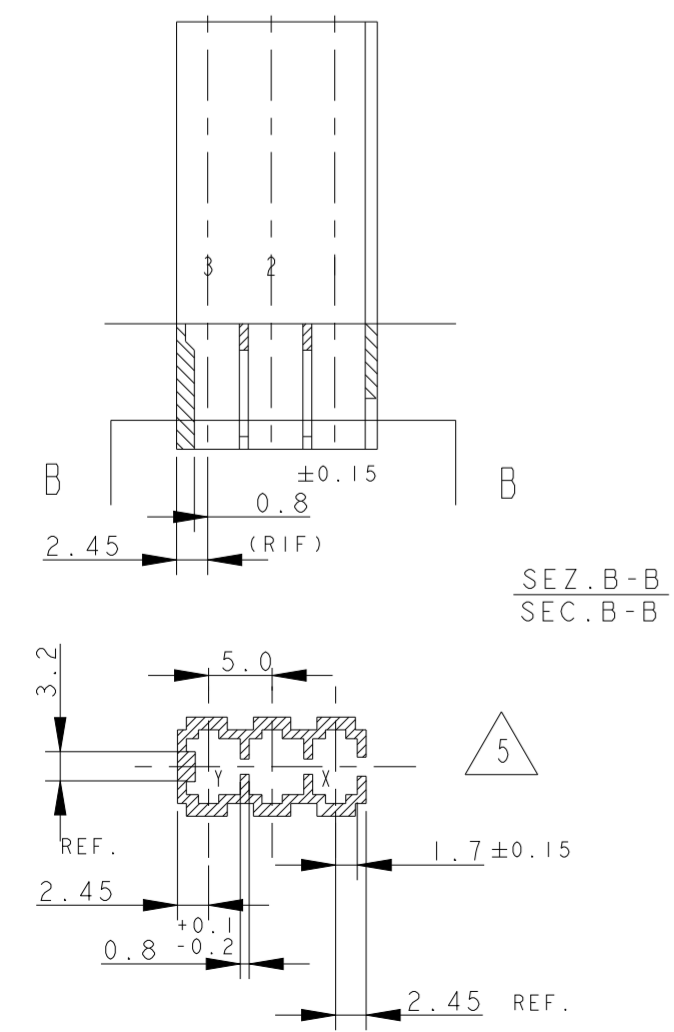
RAPPRESENTAZIONE GRAFICA DEI P/Ns:  
 (GRAPHICAL REPRESENTATION OF P/Ns:)  
 284546-2



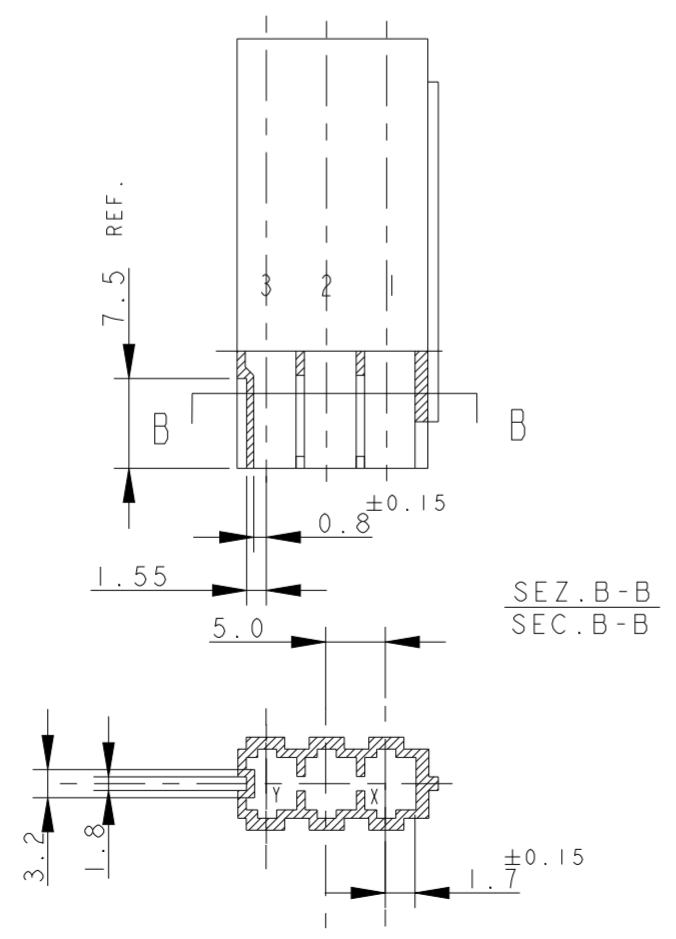
RAPPRESENTAZIONE GRAFICA DEI P/Ns:  
 (GRAPHICAL REPRESENTATION OF P/Ns:)  
 x-284546-1



RAPPRESENTAZIONE GRAFICA DEI P/Ns:  
 (GRAPHICAL REPRESENTATION OF P/Ns:)  
 x-282043-2 and x-282043-3  
 2293372-3




RAPPRESENTAZIONE GRAFICA DEI P/Ns:  
 (GRAPHICAL REPRESENTATION OF P/Ns:)  
 x-282235-2 and x-282235-3



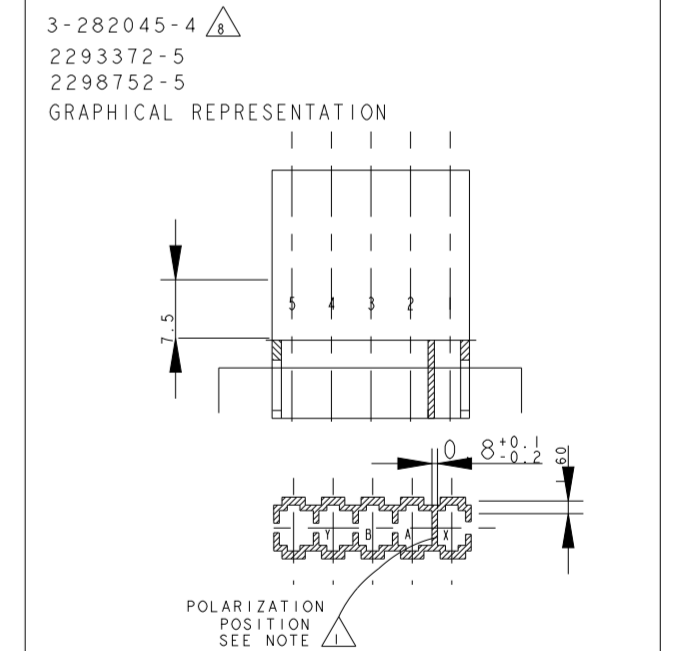
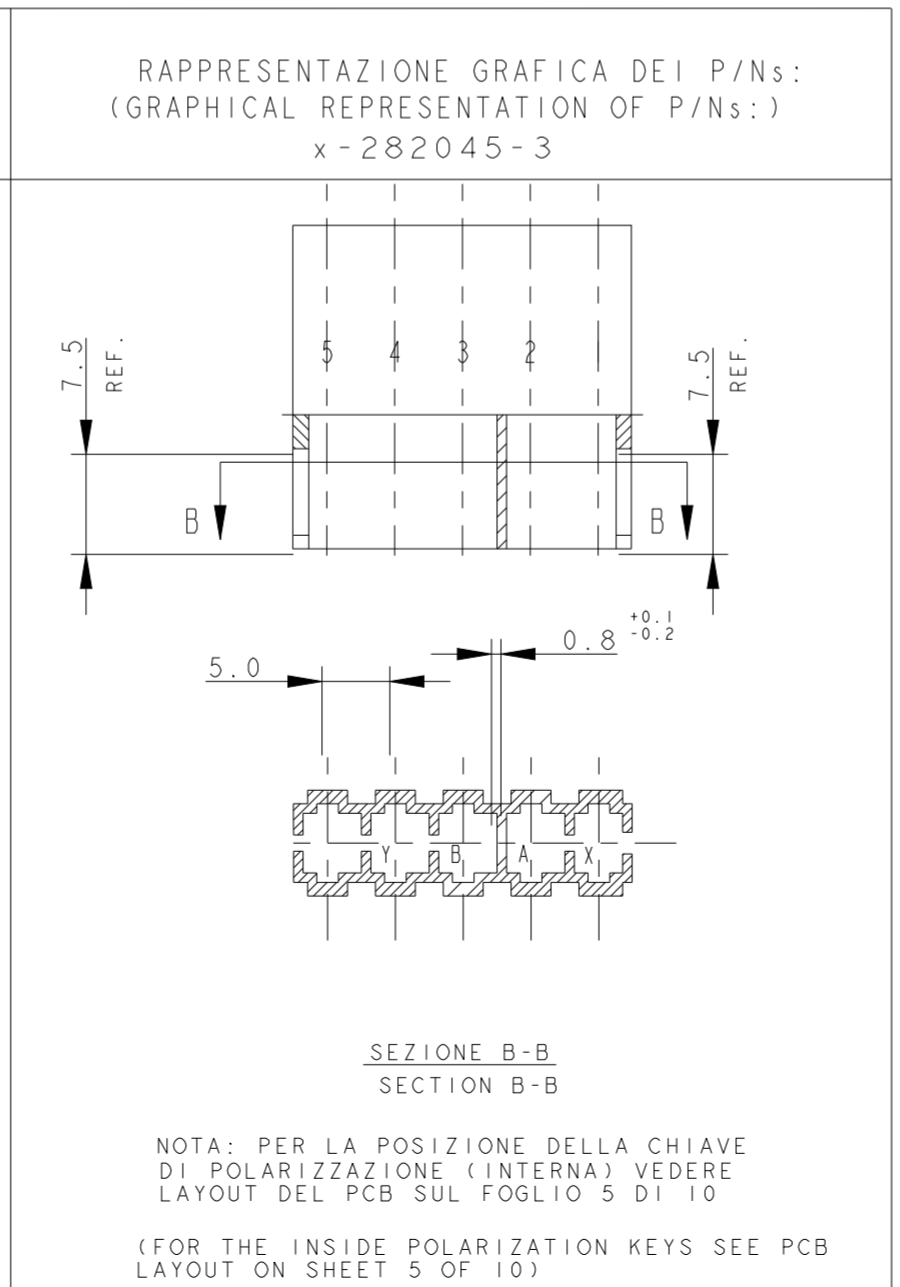
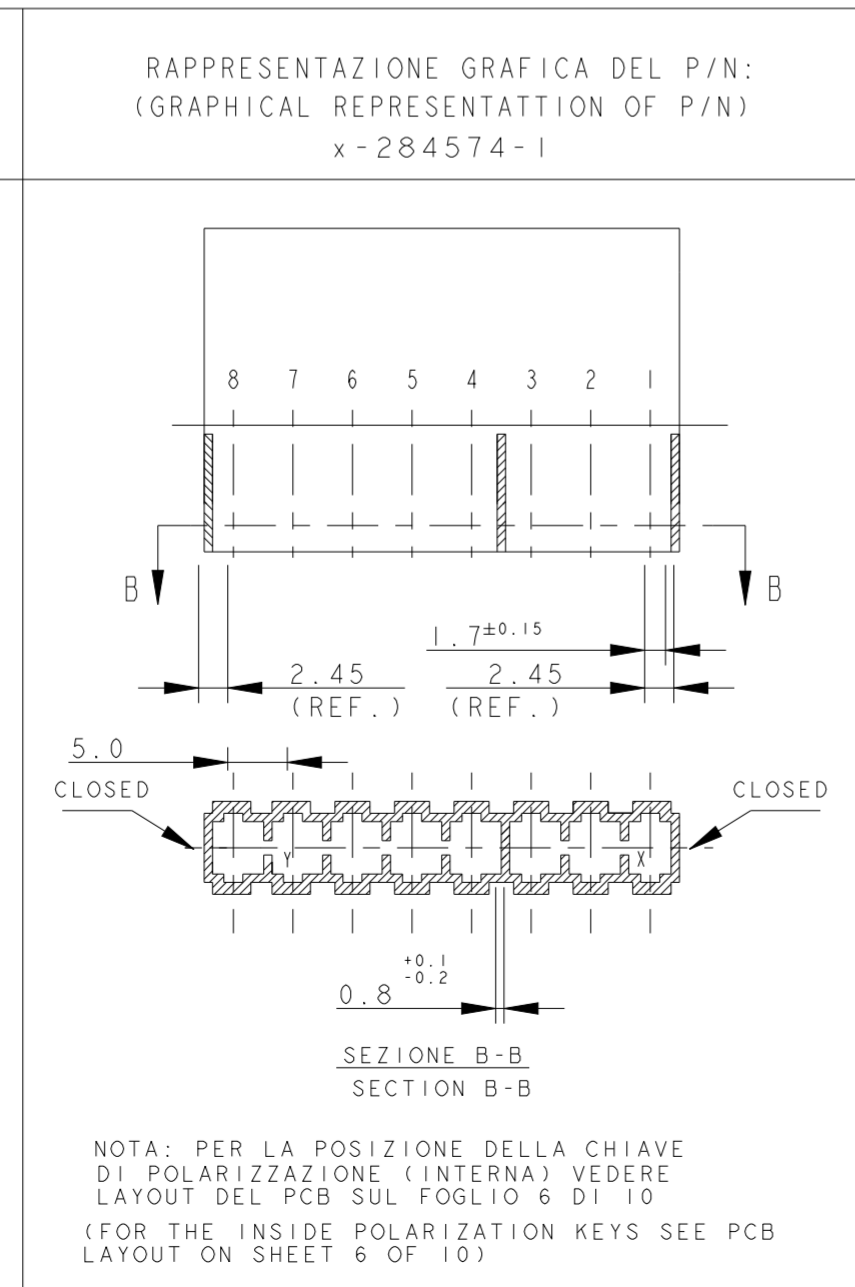
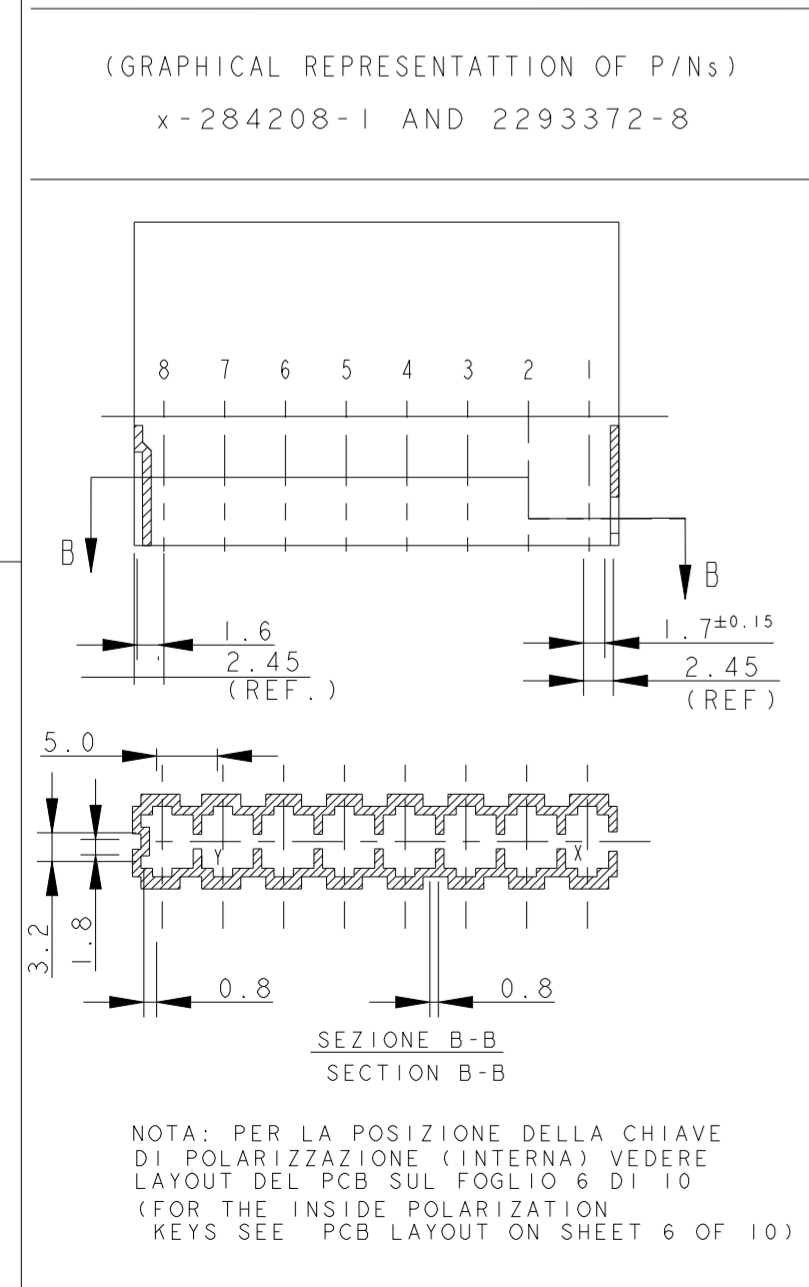
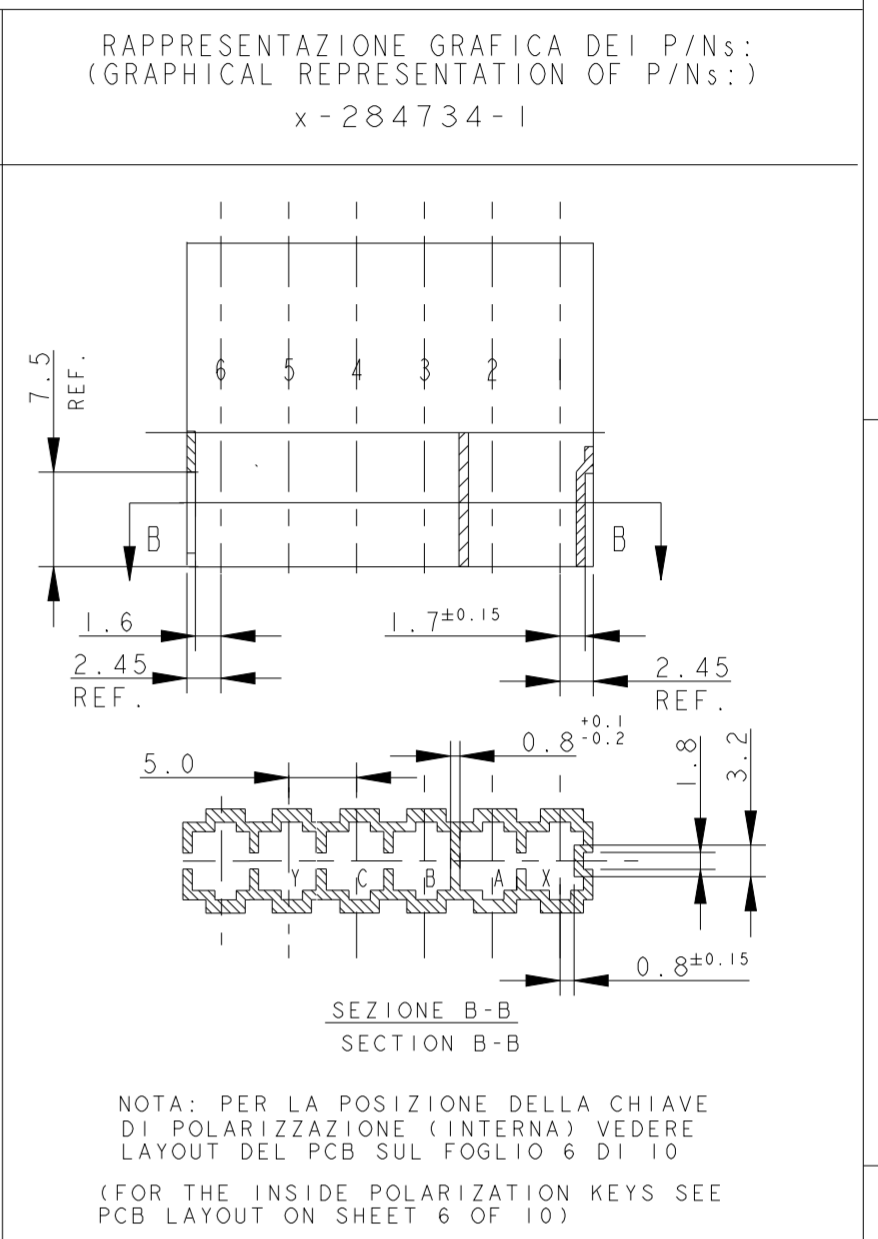
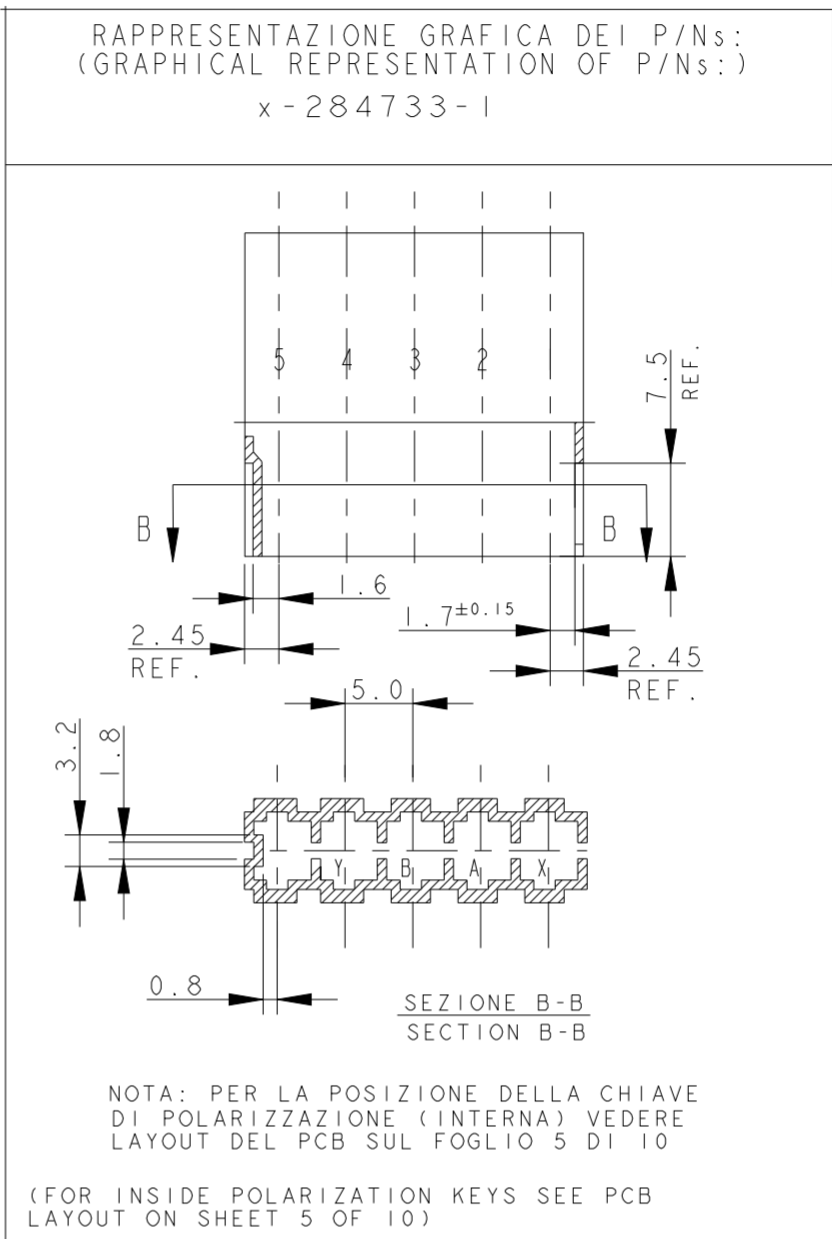
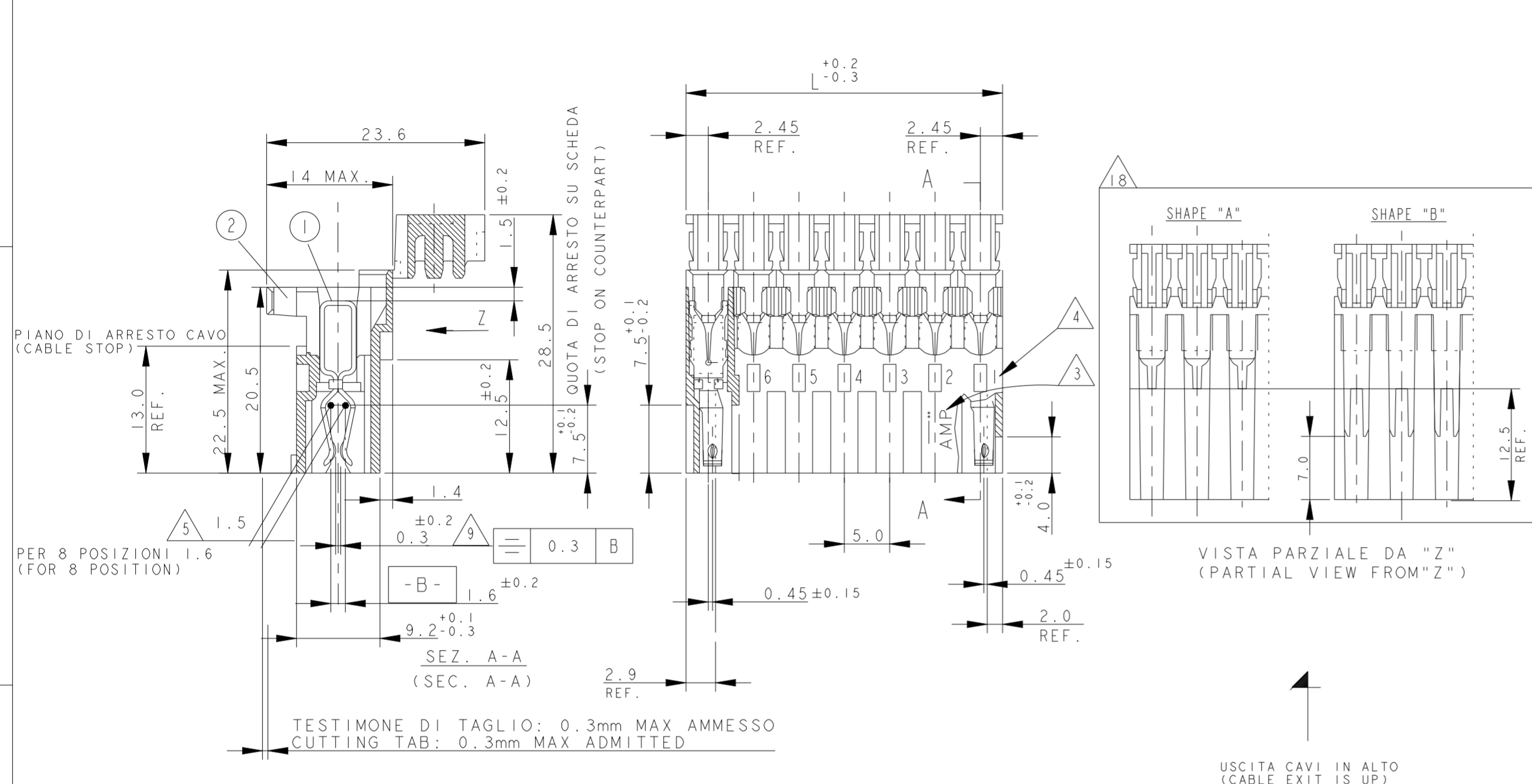
USCITA CAVI IN ALTO  
 (CABLE EXIT IS UP)

7) SEE FURTHER SHEETS FOR PN TABLES  
 10) PER LE DIMENSIONI DELLE DIME DEL CIRCUITO STAMPATO  
 VEDERE FOGLIO 5 E 6  
 (FOR PCB LAYOUT AND DIMENSIONS SEE SHEET 5 AND 6)

THIS DRAWING IS A CONTROLLED DOCUMENT.		DWN C. CORDOLA 23 JUL 1996	 TE Connectivity	NAME MONO-SHAPE, MK1 PCB CONNECTOR 2-12 POS.	
DIMENSIONS: mm		CHK G. TURCO 23 JUL 1996		PRODUCT SPEC 108-20067	
TOLERANCES UNLESS OTHERWISE SPECIFIED: 0 PLC ± 0.3 1 PLC ± 0.3 2 PLC ± 0.3 3 PLC ± 0.3 4 PLC ± 0.3 ANGLES ± 2°		APVD G. TURCO 23 JUL 1996		APPLICATION SPEC 114-20018	
MATERIAL CONNETTORE NYLON (CONNECTOR NYLON) CONTATTO OTTONE (CONTACT BRASS)		FINISH STAGNATO (TIN PLATED)		WEIGHT -	SIZE A2
CUSTOMER DRAWING			SCALE 2:1	SHEET 2 OF 11	REV. Z42

THIS DRAWING IS UNPUBLISHED. RELEASED FOR PUBLICATION  
 © COPYRIGHT copyright.dBTe- ALL RIGHTS RESERVED.

REVISIONS				
P	LTR	DESCRIPTION	DATE	DWN APVD
-	-	SEE SHEET 1	-	-



7) SEE FURTHER SHEETS FOR PN TABLE

PER 6 - 8 POSIZIONI (FOR 6 - 8 POSITION)

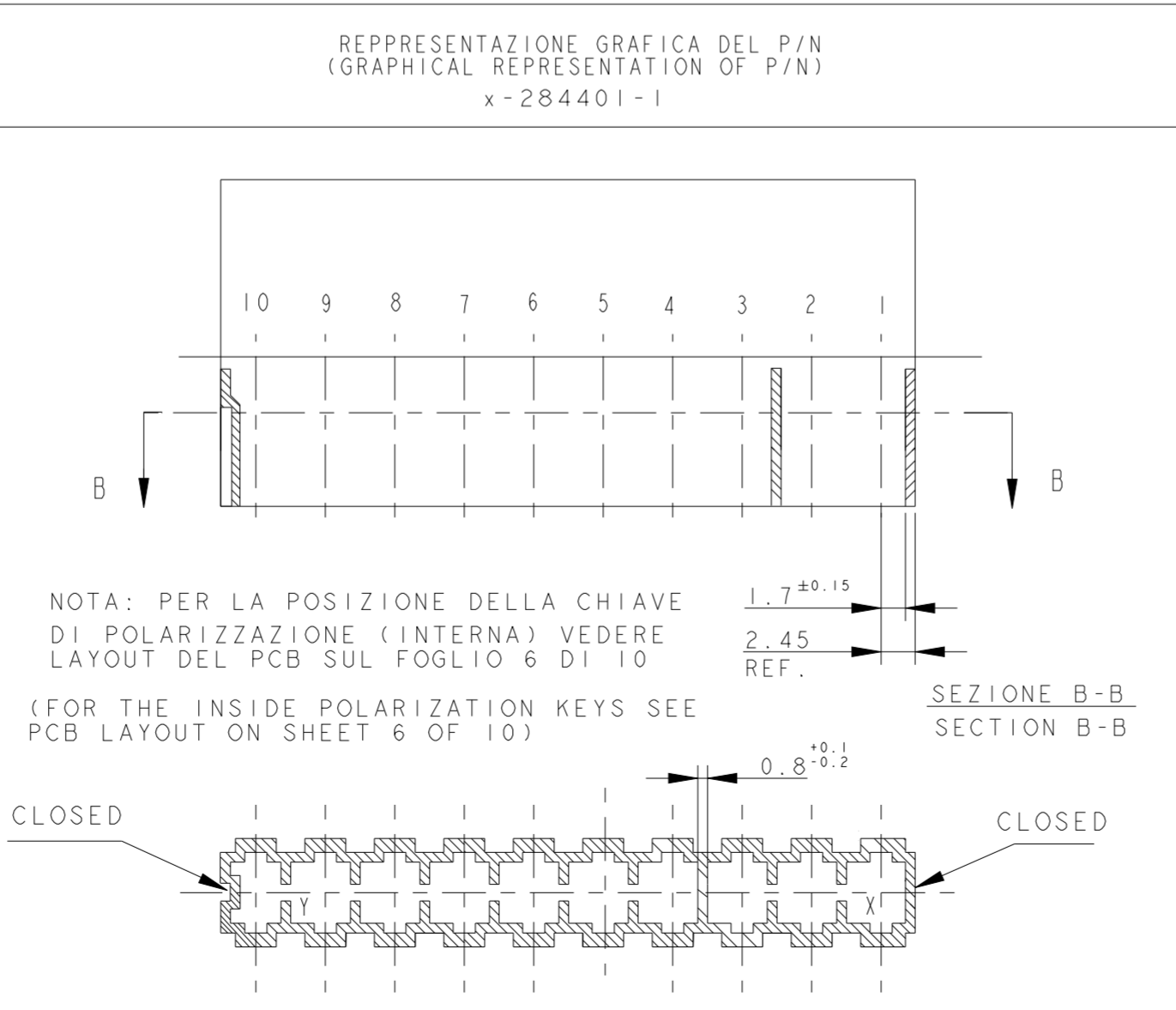
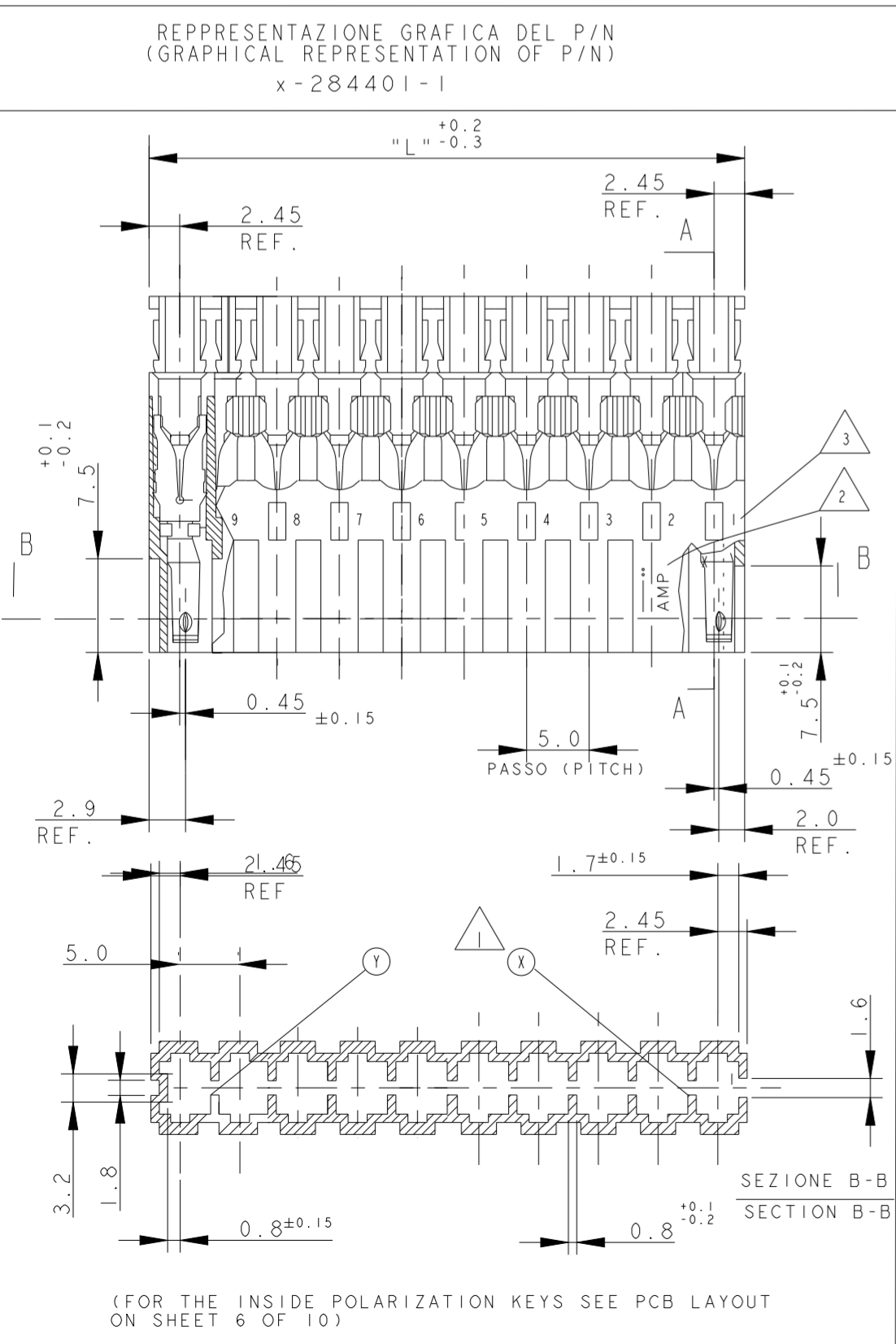
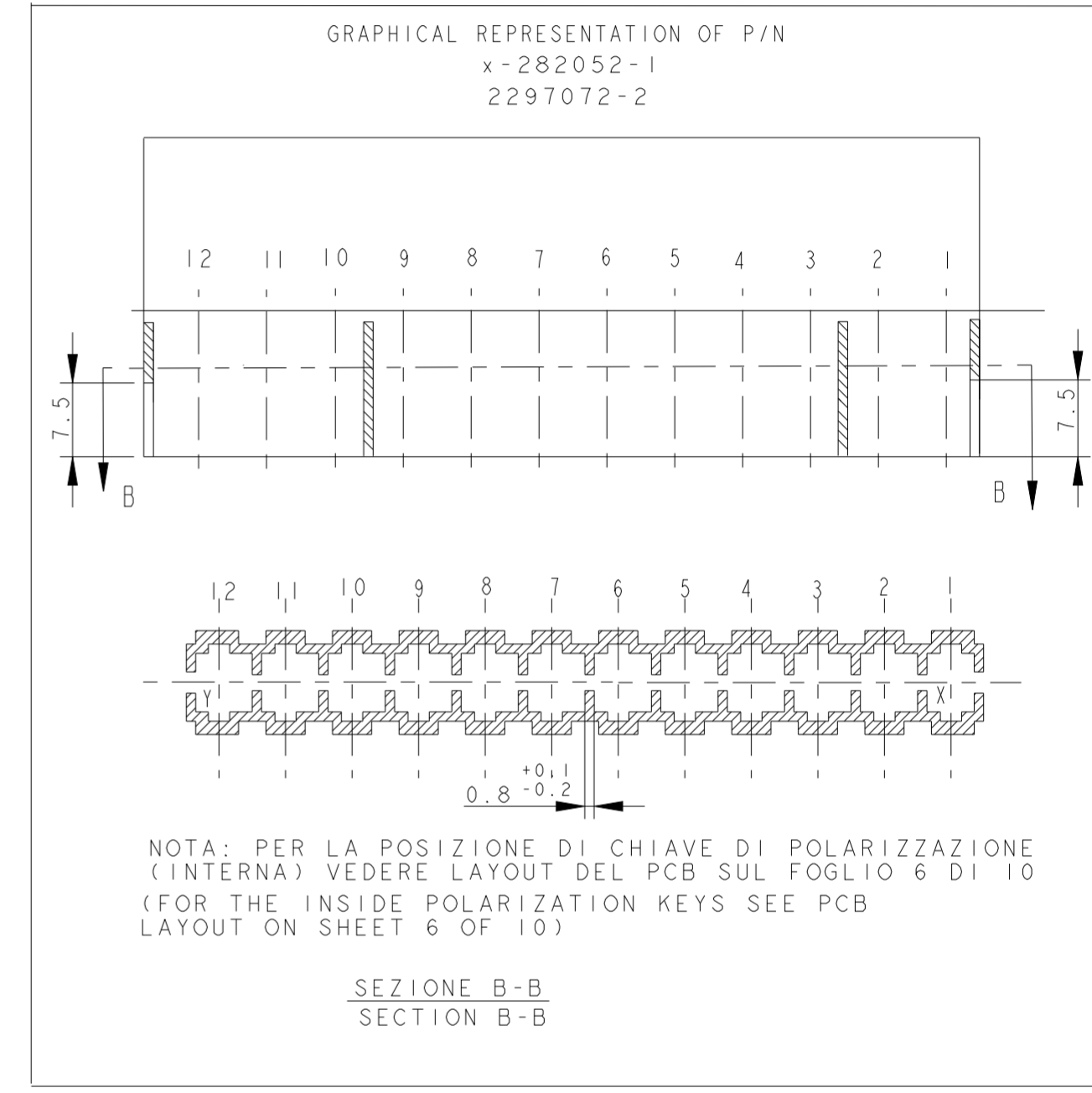
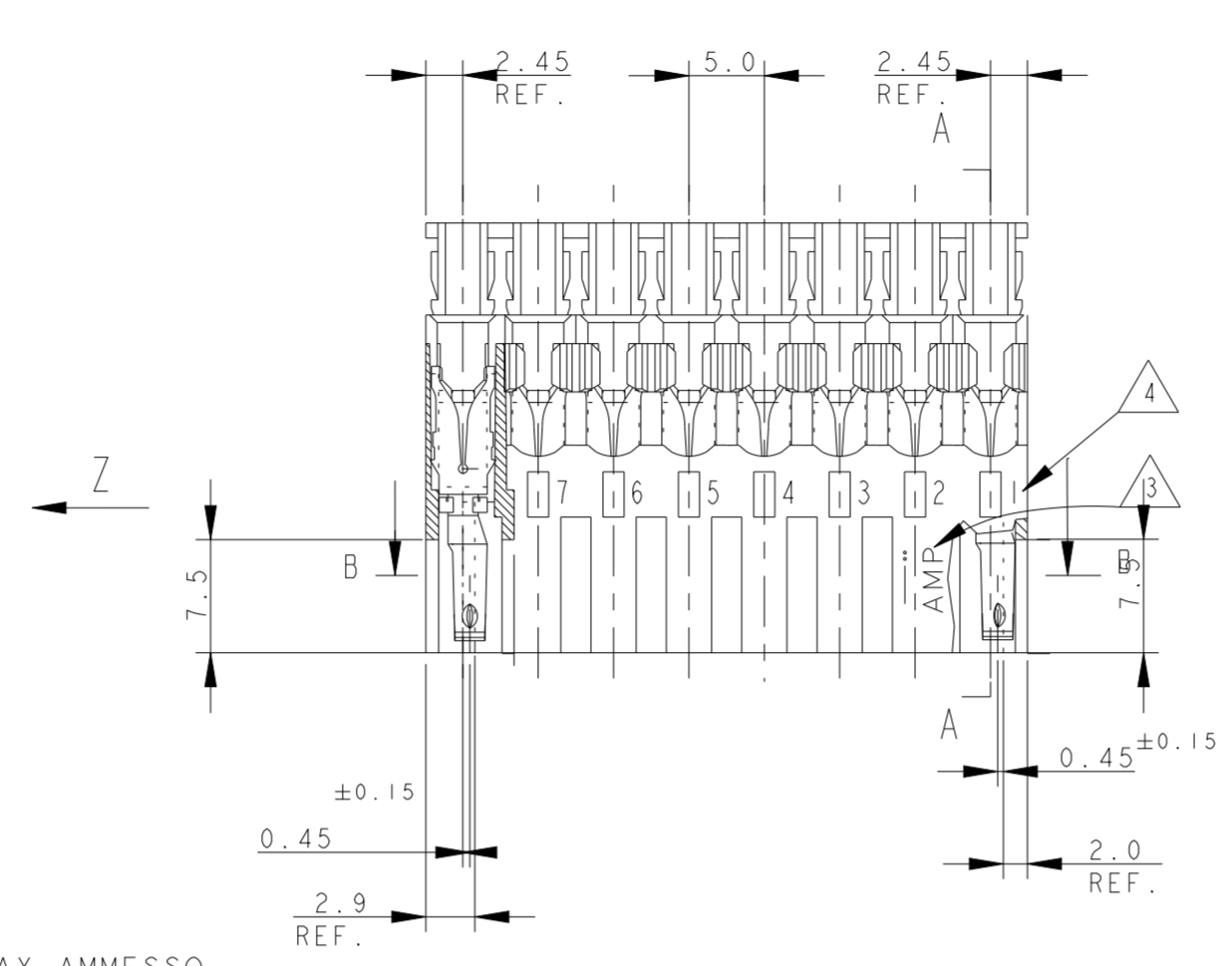
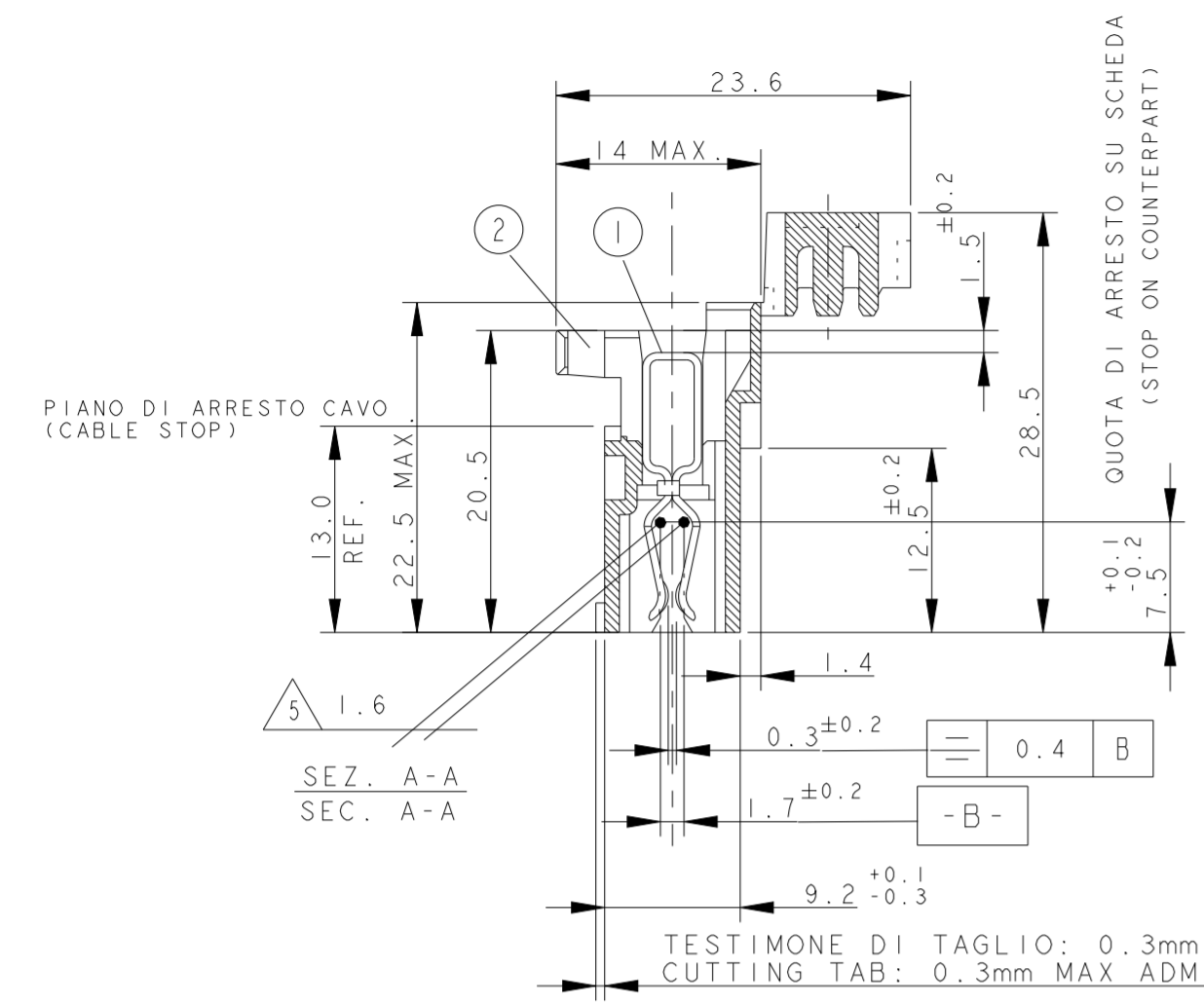
10) PER LE DIMENSIONI DELLE DIME DEL CIRCUITO STAMPATO VEDERE FOGLIO 5 E 6 (FOR PCB LAYOUT AND DIMENSIONS SEE SHEET 5 AND 6)

PROFILO "A" E' VALIDO PER OGNI CONFIGURAZIONE, PROFILO "B" E' AMMESSO SOLO PER I PN IDENTIFICATI IN TABELLA DALLA PRESENTE NOTA (SHAPE "A" VALID FOR EACH CONFIGURATION, SHAPE "B" IS PERMITTED ONLY ON PN WHERE THIS NOTE IS SHOWN ON RELEVANT DRAWING TABLE)

THIS DRAWING IS A CONTROLLED DOCUMENT.		DWN C. CORDOLA 23JUL1996	TE Connectivity	
DIMENSIONS: mm		CHK G. TURCO 23JUL1996		
TOLERANCES UNLESS OTHERWISE SPECIFIED:		APVD G. TURCO 23JUL1996	NAME MONO-SHAPE, MK1 PCB CONNECTOR 2-12 POS.	
0 PLC ±0.3 1 PLC ±0.3 2 PLC ±0.3 3 PLC ±0.3 4 PLC ±0.3		PRODUCT SPEC 108-20067	SIZE A2	
ANGLES ±2°		APPLICATION SPEC 114-20018	CAGE CODE 1	
MATERIAL CONNETTORE NYLON (CONNECTOR NYLON) CONTATTO OTTONE (CONTACT BRASS)		FINISH STAGNATO (TIN PLATED)	DRAWING NO C-282042	
CUSTOMER DRAWING		WEIGHT -	RESTRICTED TO	
SCALE		SHEET 3 OF 11		REV. 742

THIS DRAWING IS UNPUBLISHED. RELEASED FOR PUBLICATION  
 © COPYRIGHT copyright.d8Te- ALL RIGHTS RESERVED.

REVISIONS				
P	LTR	DESCRIPTION	DATE	APVD
-	-	SEE SHEET 1	-	-



7) SEE FURTHER SHEETS FOR PN TABLES

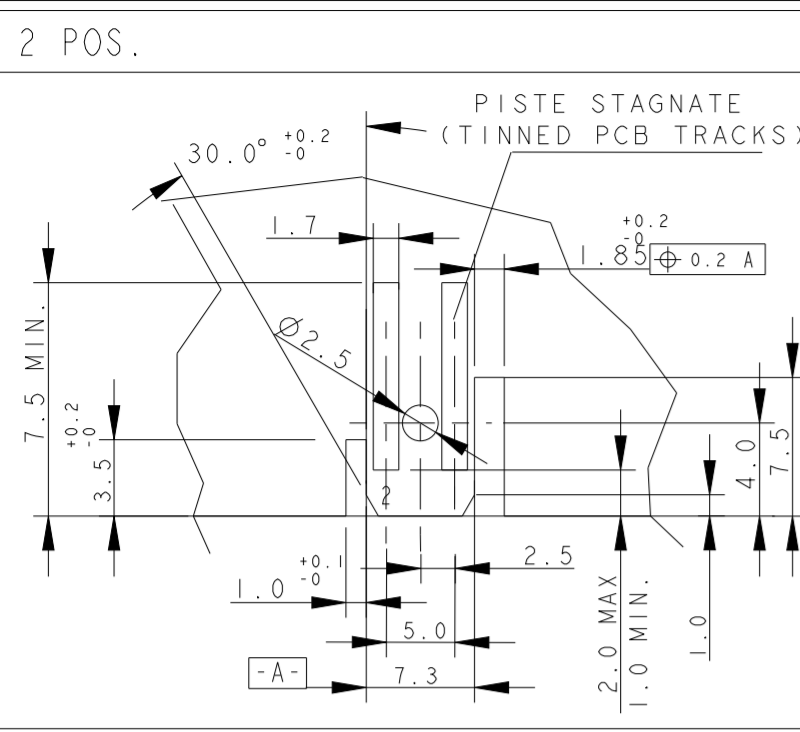
10) PER LE DIMENSIONI DELLE DIME DEL CIRCUITO STAMPATO VEDERE FOGLIO 5 E 6 (FOR PCB LAYOUT AND DIMENSIONS SEE SHEET 5 AND 6)

THIS DRAWING IS A CONTROLLED DOCUMENT.		DWN C. CORDOLA 23JUL1996	 TE Connectivity	NAME MONO-SHAPE, MK1 PCB CONNECTOR 2-12 POS.	
DIMENSIONS: mm		CHK G. TURCO 23JUL1996		APVD G. TURCO 23JUL1996	SIZE A2
TOLERANCES UNLESS OTHERWISE SPECIFIED:		0 PLC ±0.3	PRODUCT SPEC 108-20067	DRAWING NO C-282042	RESTRICTED TO
MATERIAL CONNETTORE NYLON (CONNECTOR NYLON) CONTATTO OTTONE (CONTACT BRASS)		1 PLC ±0.3	APPLICATION SPEC 114-20018	WEIGHT -	SCALE -
FINISH STAGNATO (TIN PLATED)		2 PLC ±0.3	ANGLE ±2°	SHEET 4 OF 11	REV Z42
CUSTOMER DRAWING		3 PLC ±0.3			
		4 PLC ±0.3			

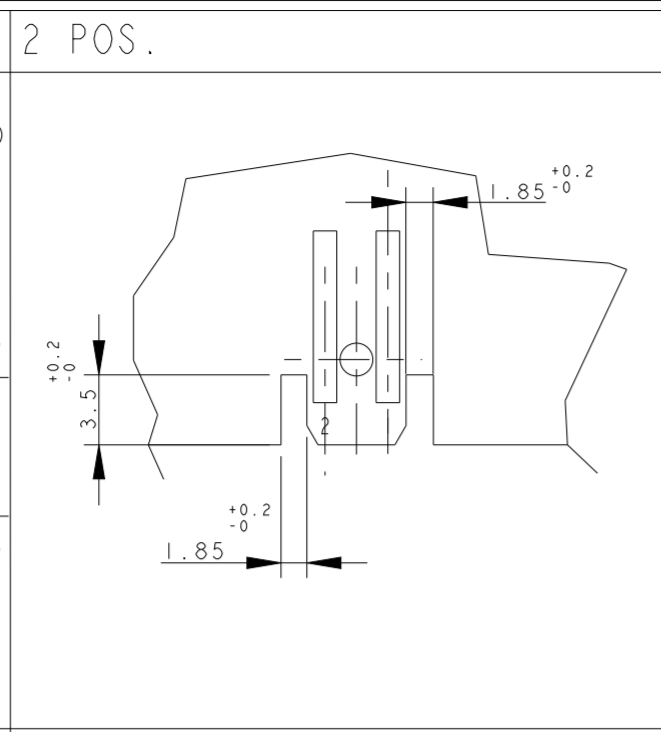


THIS DRAWING IS UNPUBLISHED. RELEASED FOR PUBLICATION  
 © COPYRIGHT copyright.d8te- ALL RIGHTS RESERVED.

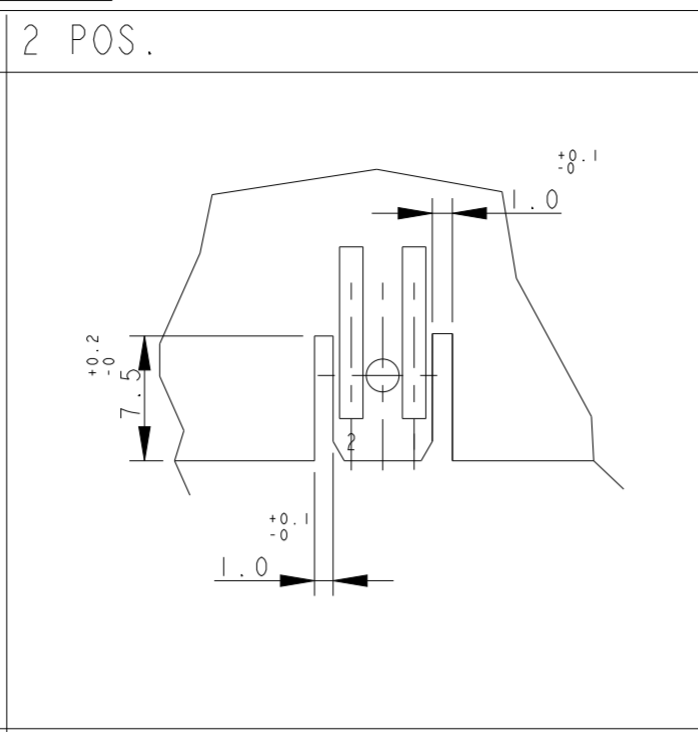
REVISIONS			
P	LTR	DESCRIPTION	DATE
		SEE SHEET 1	



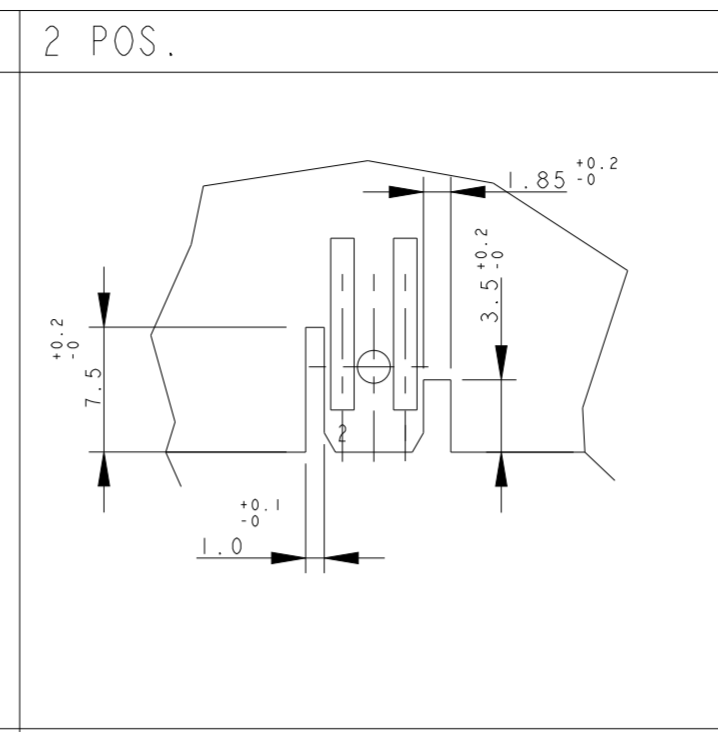
DIMA DEL PCB PER PN (PCB LAYOUT FOR PN.S)  
x-282042-1



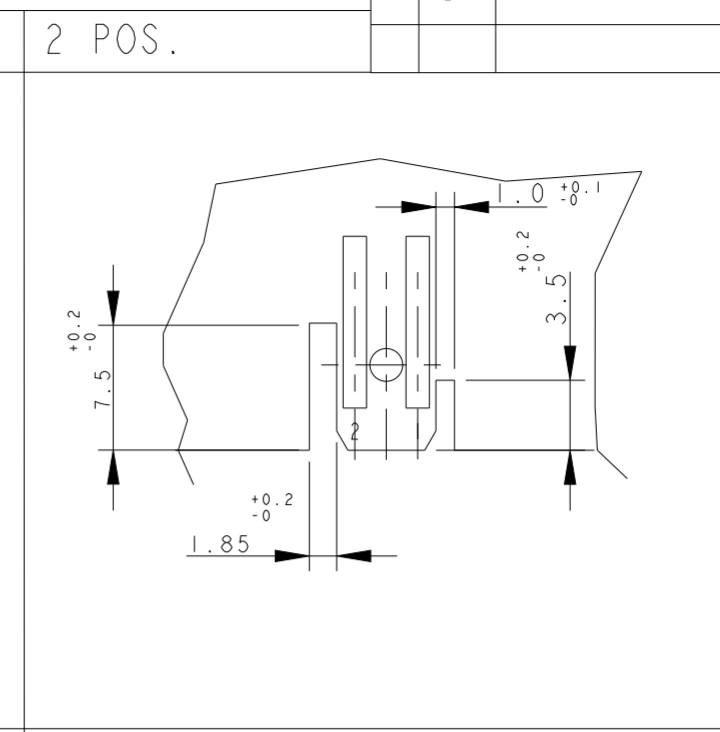
DIMA DEL PCB PER PN (PCB LAYOUT FOR PN.S)  
x-282042-2



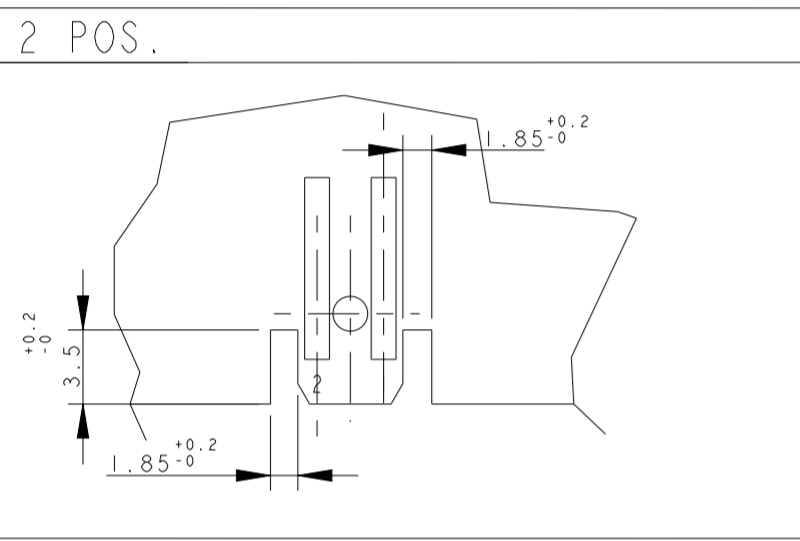
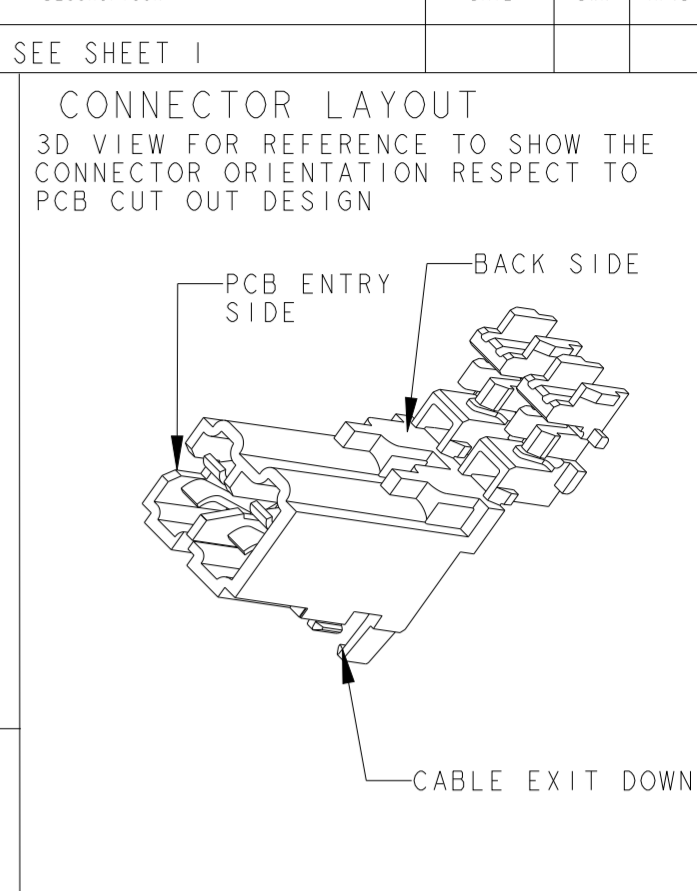
DIMA DEL PCB PER PN (PCB LAYOUT FOR PN.S)  
x-282042-3, 2298752-2 and 2333039-2



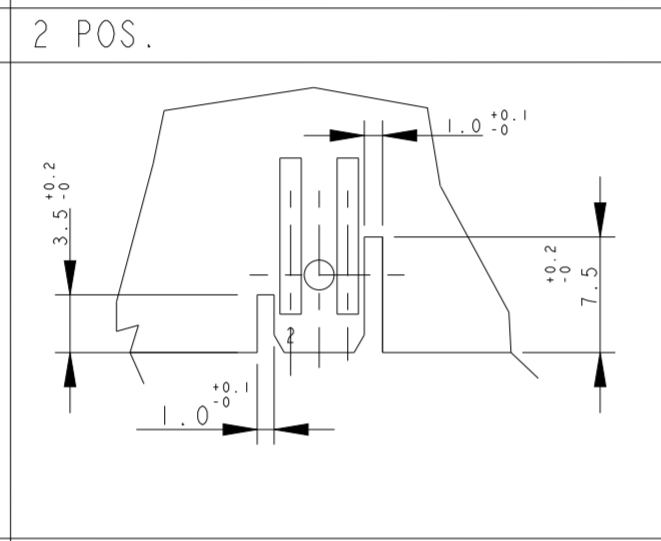
DIMA DEL PCB PER PN (PCB LAYOUT FOR PN.S)  
x-282042-4



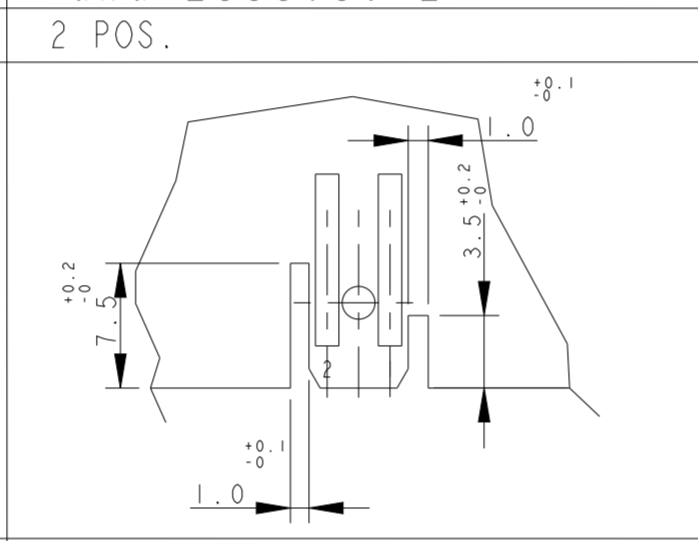
DIMA DEL PCB PER PN (PCB LAYOUT FOR PN.S)  
x-282042-5, 1-2298752-2 and 1-2333039-2, 2-2293372-2



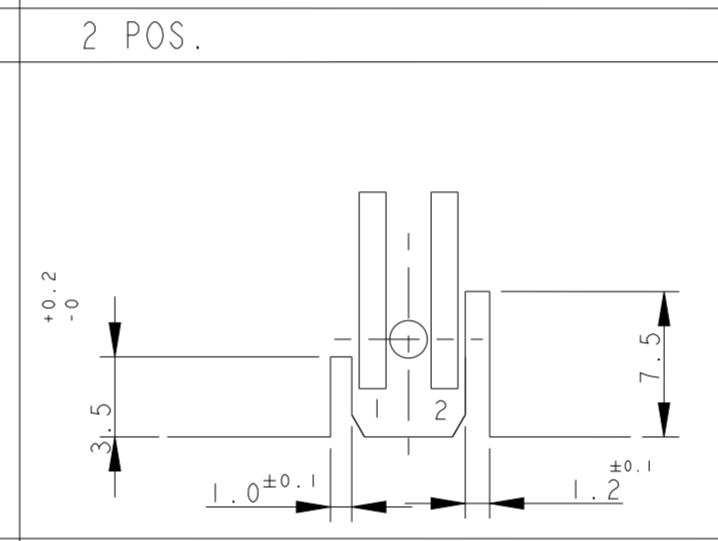
DIMA DEL PCB PER PN (PCB LAYOUT FOR PN.S)  
x-284561-1



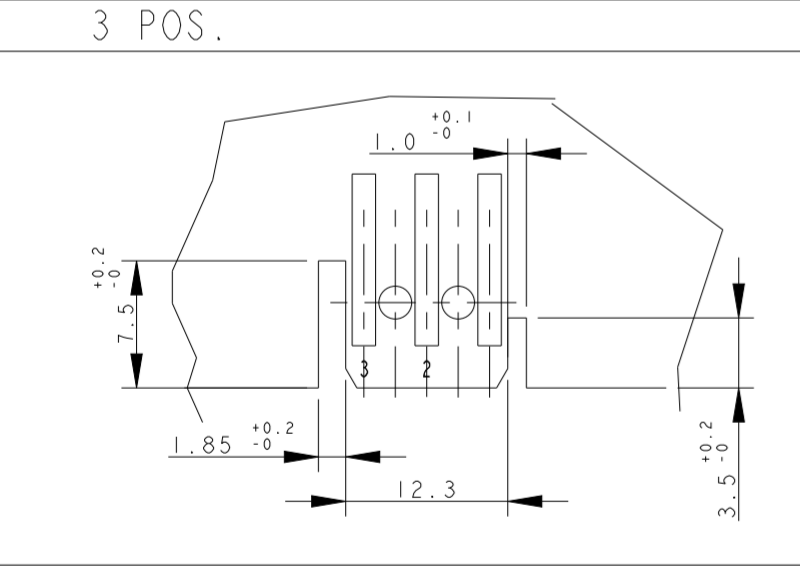
DIMA DEL PCB PER PN (PCB LAYOUT FOR PN.S)  
x-282042-6



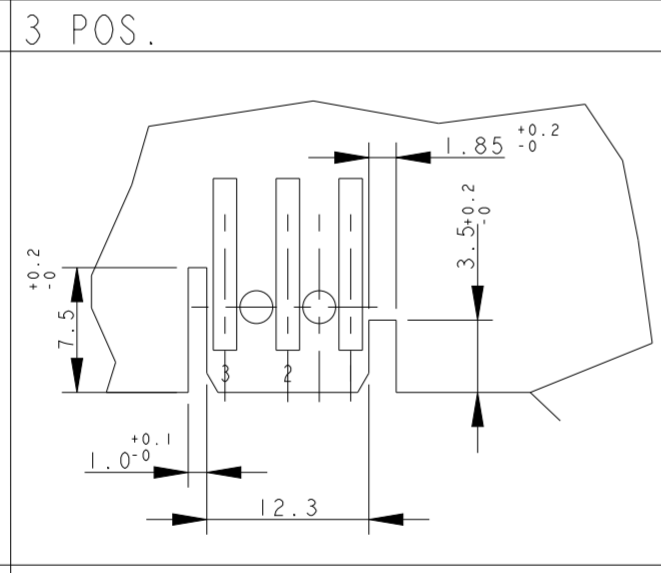
DIMA DEL PCB PER PN (PCB LAYOUT FOR PN.S)  
1-2293372-2



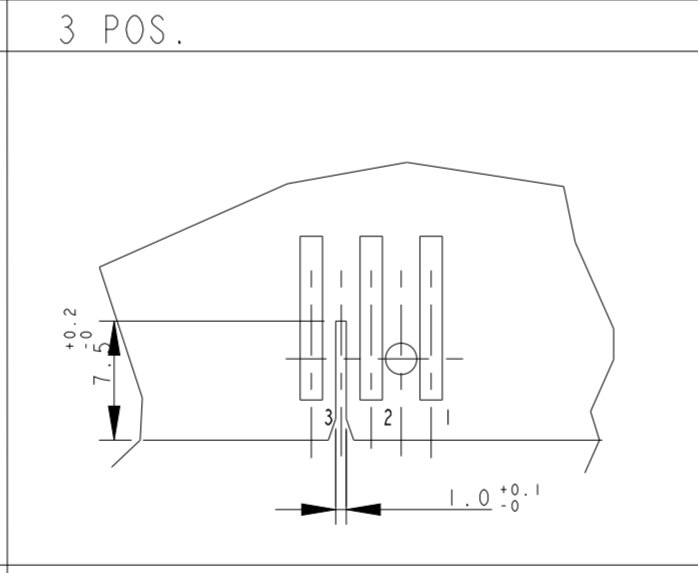
DIMA DEL PCB PER PN (PCB LAYOUT FOR PN.S)  
x-284561-2



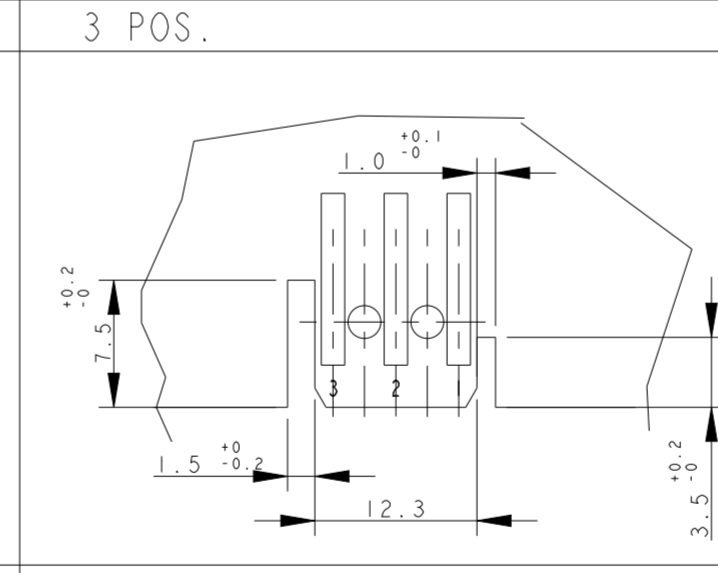
DIMA DEL PCB PER PN (PCB LAYOUT FOR PN.S)  
x-282043-2, x-282043-3, 2298752-3 and 2333039-3, 2293372-3



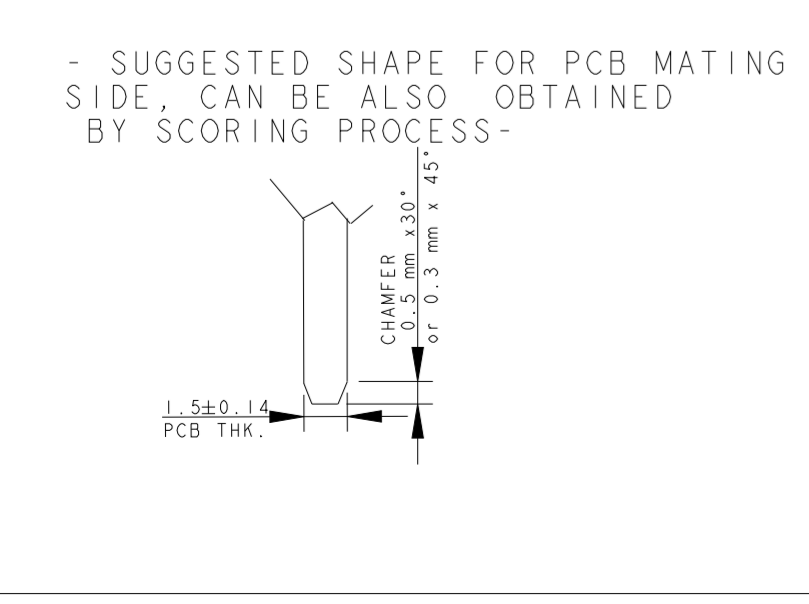
DIMA DEL PCB PER PN (PCB LAYOUT FOR PN.S)  
x-282235-2 and x-282235-3



DIMA DEL PCB PER PN (PCB LAYOUT FOR PN.S)  
x-284546-1



DIMA DEL PCB PER PN (PCB LAYOUT FOR PN.S)  
284546-2



- SUGGESTED SHAPE FOR PCB MATING SIDE, CAN BE ALSO OBTAINED BY SCORING PROCESS-

- 1) LE DIMENSIONI TIPICHE RIFERITE ALLE GEOMETRIE COMUNI A TUTTE LE DIME SONO INDICATE SOLO NEL DETTAGLIO RELATIVO AL PN 1-282042. (PCB GEOMETRY TYPICAL DIMENSIONS ARE SHOWN ON SKETCH FOR PN 1-282042-1)
- 2) LE DIME DEI PCB ACCOPPIANO CON I CONNETTORI INSERITI CO USCITA CAVI VERSO IL BASSO (PCB LAYOUT AS SHOWN WILL MATE WITC CONNECTORS HAVING CABLE EXIT DOWN)

THIS DRAWING IS A CONTROLLED DOCUMENT.		DWN C. CORDOLA 23 JUL 1996
DIMENSIONS: mm		CHK G. TURCO 23 JUL 1996
TOLERANCES UNLESS OTHERWISE SPECIFIED:		APVD G. TURCO 23 JUL 1996
0 PLC ±0.3	1 PLC ±0.3	PRODUCT SPEC 108-20067
2 PLC ±0.3	3 PLC ±0.3	APPLICATION SPEC 114-20018
4 PLC ±0.3	ANGLES ±2°	WEIGHT -
MATERIAL CONNETTORE NYLON (CONNECTOR NYLON) CONTATTO OTTONE (CONTACT BRASS)	FINISH STAGNATO (TIN PLATED)	CUSTOMER DRAWING

DWN C. CORDOLA 23 JUL 1996		STE TE Connectivity	
CHK G. TURCO 23 JUL 1996		NAME MONO-SHAPE, MK1 PCB CONNECTOR 2-12 POS.	
APVD G. TURCO 23 JUL 1996		SIZE A2	CAGE CODE 1
PRODUCT SPEC 108-20067		DRAWING NO G-282042	RESTRICTED TO
APPLICATION SPEC 114-20018		SCALE 2:1	SHEET 5 OF 11
WEIGHT -		REV Z42	

4

3

2

1

THIS DRAWING IS UNPUBLISHED. RELEASED FOR PUBLICATION  
 © COPYRIGHT copyright.d8Te- ALL RIGHTS RESERVED.

REVISIONS				
P	LTR	DESCRIPTION	DATE	APVD
		SEE SHEET 1		

4 POS.

PCB LAYOUT FOR PN.s  
 x-282044-1, 2293372-4  
 2298752-4 and 2333039-4

PCB LAYOUT FOR PN.s  
 3-282044-2

CONNECTOR LAYOUT  
 3D VIEW FOR REFERENCE TO SHOW THE  
 CONNECTOR ORIENTATION RESPECT TO  
 PCB CUT OUT DESIGN

5 POS.

5 POS.

5 POS.

5 POS.

5 POS.

DIMA DEL PCB PER PN  
 (PCB LAYOUT FOR PN.S)  
 x-282045-1

DIMA DEL PCB PER PN  
 (PCB LAYOUT FOR PN.S)  
 x-282045-2

DIMA DEL PCB PER PN  
 (PCB LAYOUT FOR PN.S)  
 x-282045-3

DIMA DEL PCB PER PN  
 (PCB LAYOUT FOR PN.S)  
 x-284733-1

PCB LAYOUT FOR PN.S  
 3-282045-4 2293372-5  
 2298752-5

- SUGGESTED SHAPE FOR PCB MATING  
 SIDE, CAN BE ALSO OBTAINED  
 BY SCORING PROCESS-

1) LE DIMENSIONI TIPICHE RIFERITE ALLE GEOMETRIE COMUNI A TUTTE LE DIME  
 SONO INDICATE SOLO NEL DETTAGLIO RELATIVO AL PN 1-282042.  
 (PCB GEOMETRY TYPICAL DIMENSIONS ARE SHOWN ON SKETCH FOR PN 1-282042-1)

2) LE DIME DEI PCB ACCOPPIANO CON I CONNETTORI INSERITI CO USCITA CAVI  
 VERSO IL BASSO  
 (PCB LAYOUT AS SHOWN WILL MATE WITC CONNECTORS HAVING CABLE  
 EXIT DOWN )

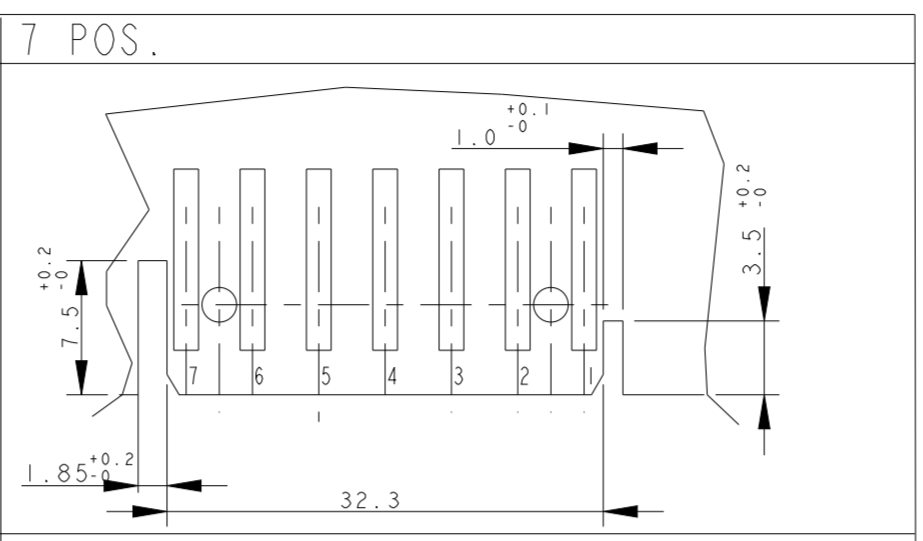
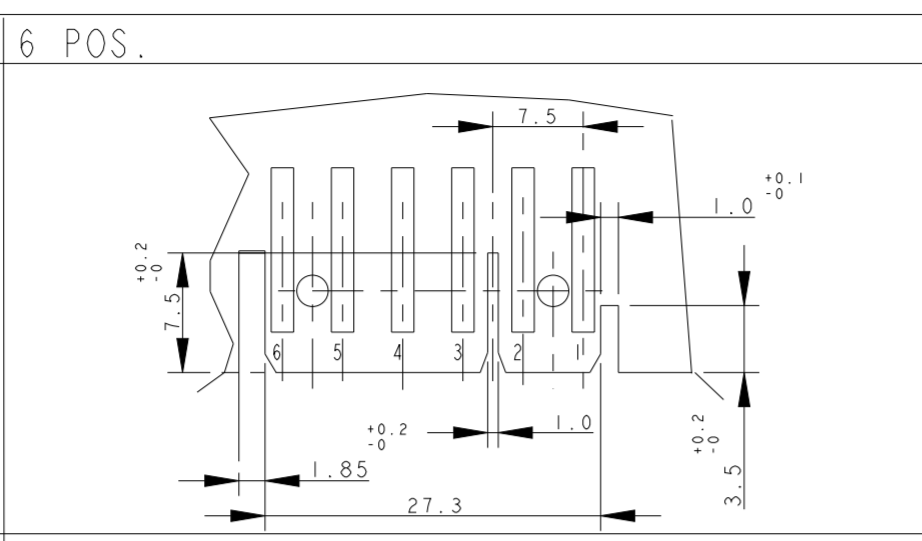
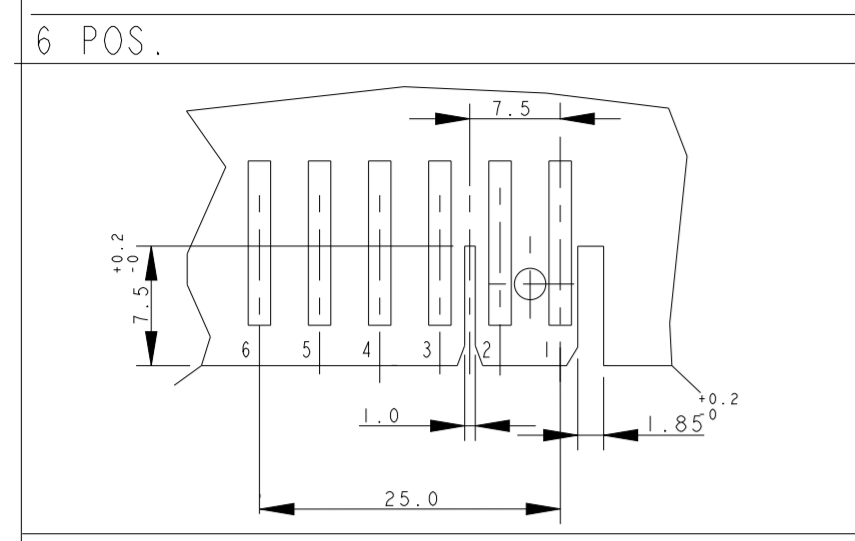
THIS DRAWING IS A CONTROLLED DOCUMENT.		DWN C. CORDOLA 23 JUL 1996	TE Connectivity	
DIMENSIONS: mm		CHK G. TURCO 23 JUL 1996		
TOLERANCES UNLESS OTHERWISE SPECIFIED:		APVD G. TURCO 23 JUL 1996	NAME MONO-SHAPE, MK I PCB CONNECTOR 2-12 POS.	
0 PLC ± 0.3 1 PLC ± 0.3 2 PLC ± 0.3 3 PLC ± 0.3 4 PLC ± 0.3 ANGLES ± 2°		PRODUCT SPEC 108-20067	SIZE A2	
MATERIAL CONNETTORE NYLON (CONNECTOR NYLON) CONTATTO OTTONE (CONTACT BRASS)		FINISH STAGNATO (TIN PLATED)	DRAWING NO C-282042	
		WEIGHT -	RESTRICTED TO	
CUSTOMER DRAWING		SCALE 2:1	SHEET 6 OF 11	
			REV Z42	

1471-9 (3/13)

Downloaded From [Onevac.com](http://Onevac.com)

THIS DRAWING IS UNPUBLISHED. RELEASED FOR PUBLICATION  
 © COPYRIGHT copyright.d8Te- ALL RIGHTS RESERVED.

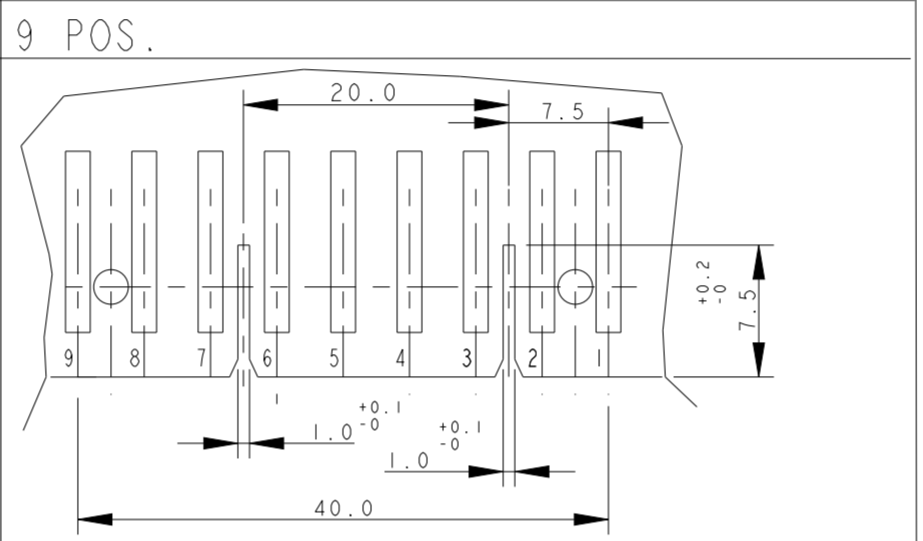
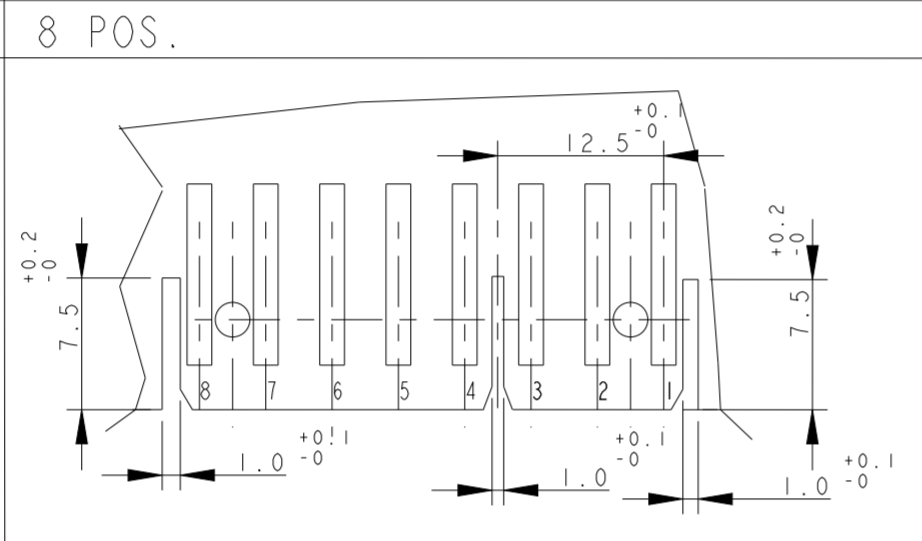
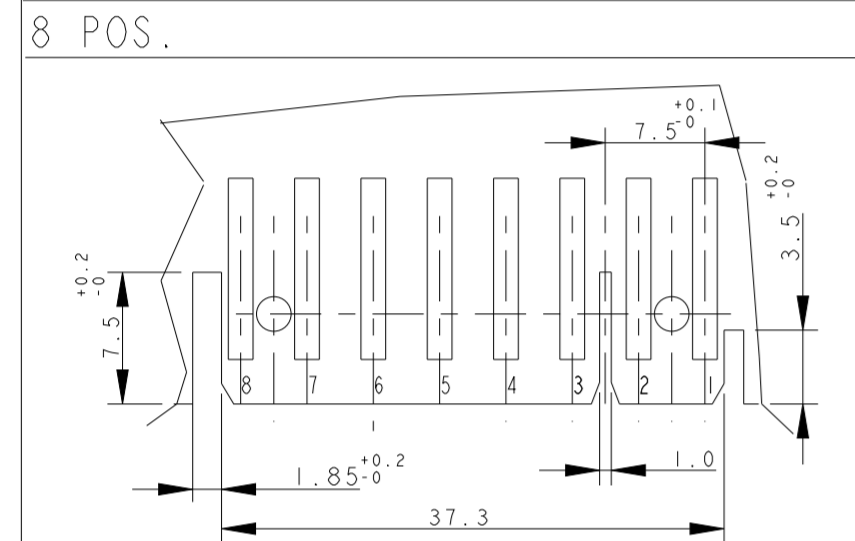
REVISIONS				
P	LTR	DESCRIPTION	DATE	APVD
-	-	SEE SHEET 1	-	-



DIMA DEL PCB PER PN  
(PCB LAYOUT FOR PN.S)  
x-284734-1

DIMA DEL PCB PER PN  
(PCB LAYOUT FOR PN.S)  
x-282046-1, 2298752-6 and 2333039-6  
(EXCEPT 4-282046-1, 5-282046-1)

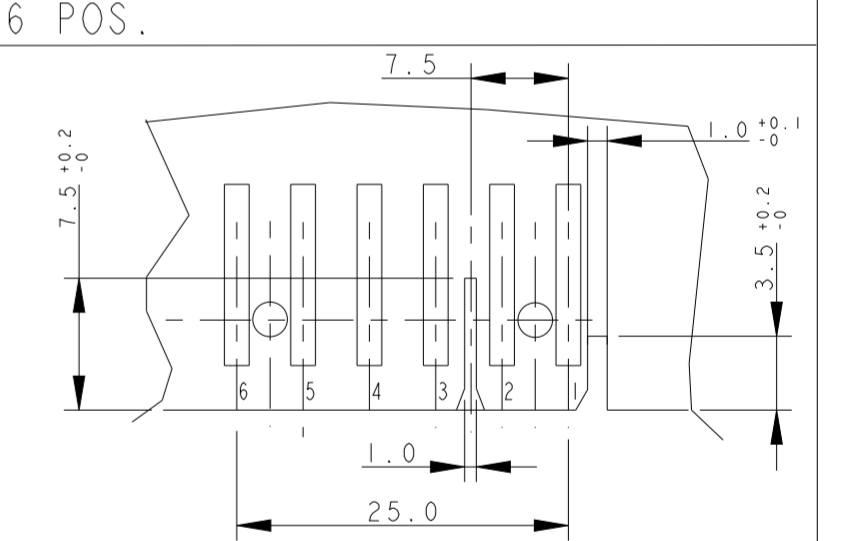
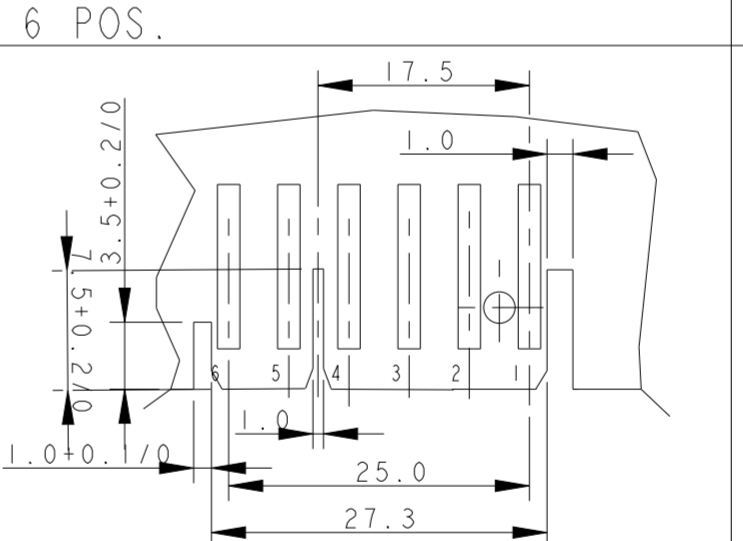
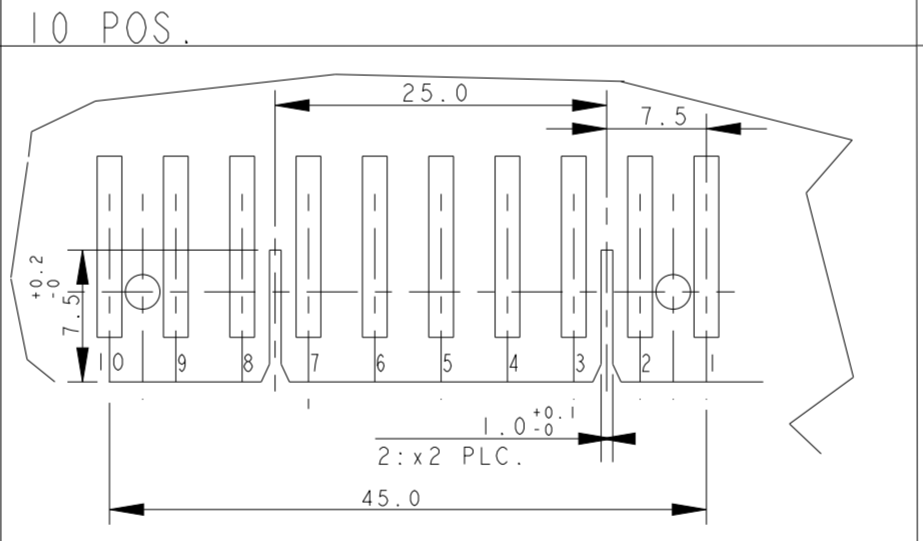
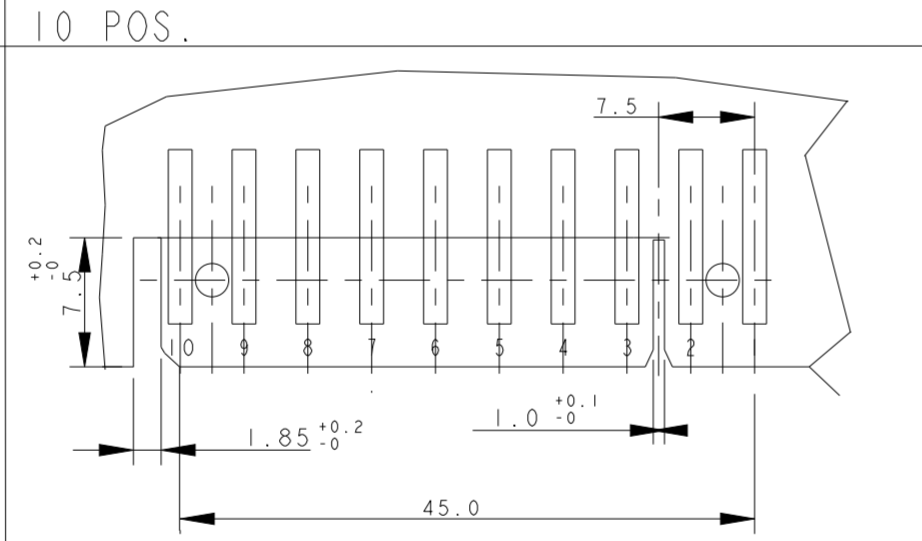
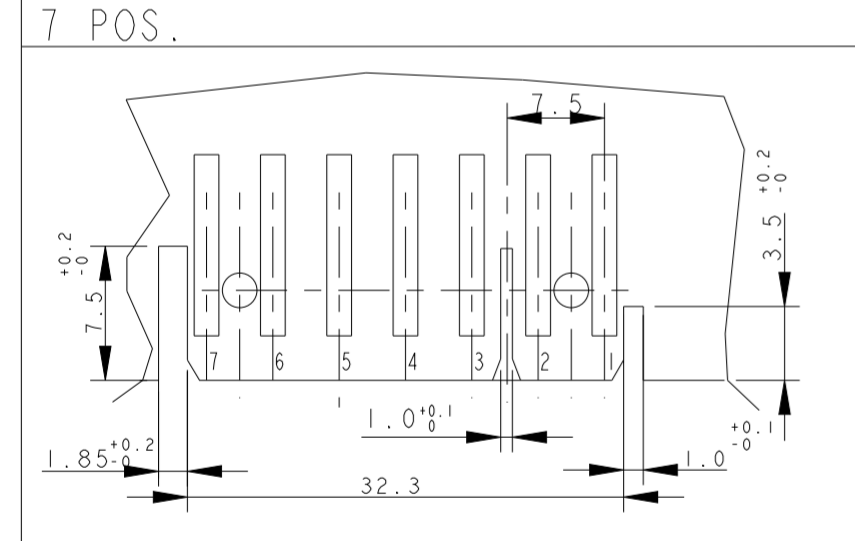
DIMA DEL PCB PER PN  
(PCB LAYOUT FOR PN.S)  
x-282047-1, 2293372-7, 2298752-7  
and 2333039-7



PCB LAYOUT FOR PN.S  
x-284208-1, 2293372-8,  
2298752-8 and 2333039-8

DIMA DEL PCB PER PN  
(PCB LAYOUT FOR PN.S)  
x-284574-1

DIMA DEL PCB PER PN  
(PCB LAYOUT FOR PN.S)  
x-282049-1, 2293372-9 and 2298752-9



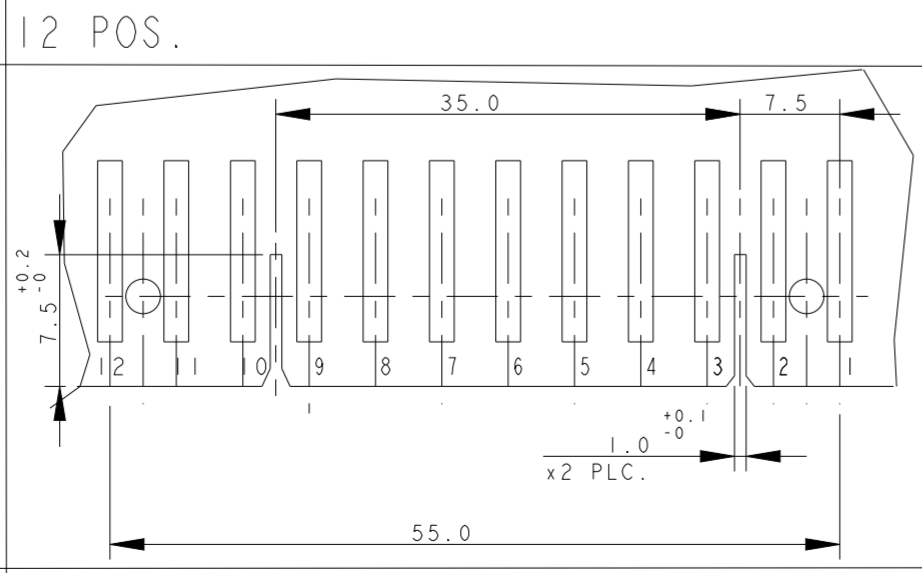
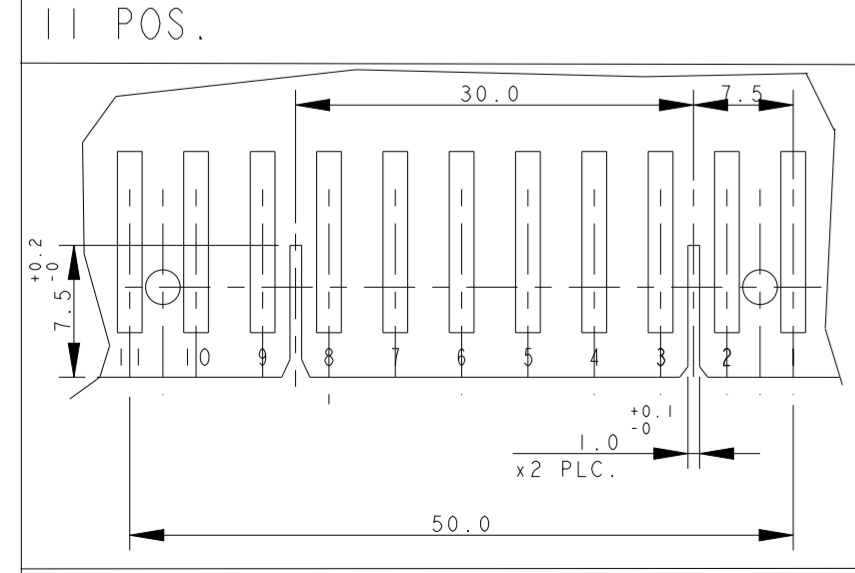
DIMA DEL PCB PER PN  
(PCB LAYOUT FOR PN.S)  
2-282047-3 AND 1-2293372-7

DIMA DEL PCB PER PN  
(PCB LAYOUT FOR PN.S)  
x-284401-x

DIMA DEL PCB PER PN  
(PCB LAYOUT FOR PN.S)  
x-282050-x and 1-2298752-0

DIMA DEL PCB PER PN  
(PCB LAYOUT FOR PN.S)  
4-282046-1 AND 5-282046-1

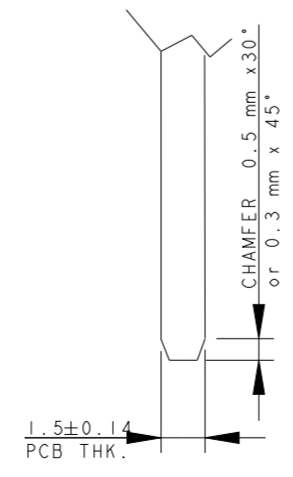
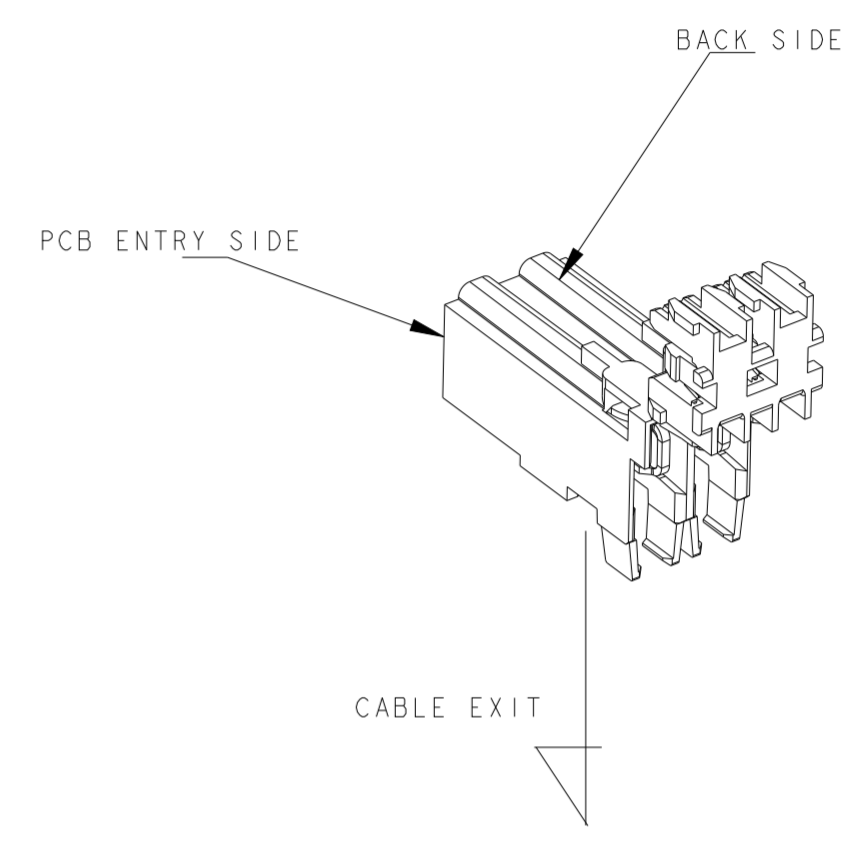
DIMA DEL PCB PER PN  
(PCB LAYOUT FOR PN.S)  
2-282046-2



DIMA DEL PCB PER PN  
(PCB LAYOUT FOR PN.S)  
x-282051-x and 2298552-1

PCB LAYOUT FOR PN.S  
x-282052-x, 2297072-2 and 2298552-2

CONNECTOR LAYOUT  
(3D VIEW FOR REFERENCE TO SHOW THE CONNECTOR ORIENTATION RESPECT TO PCB CUT OUT DESIGN)



- SUGGESTED SHAPE FOR PCB MATING SIDE, CAN BE ALSO OBTAINED BY SCORING PROCESS-

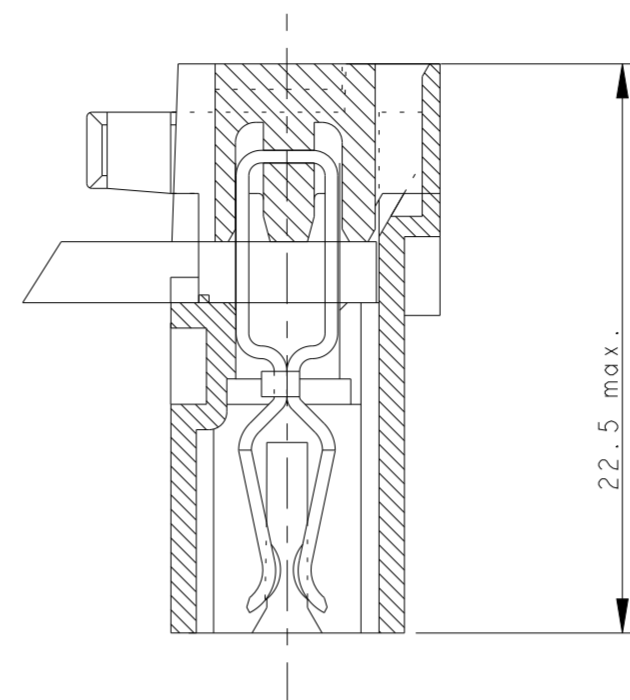
THIS DRAWING IS A CONTROLLED DOCUMENT.		DWN C. CORDOLA 23JUL1996	TE Connectivity	
DIMENSIONS: mm		CHK G. TURCO 23JUL1996		
TOLERANCES UNLESS OTHERWISE SPECIFIED:		APVD G. TURCO 23JUL1996	NAME MONO-SHAPE, MK I PCB CONNECTOR 2-12 POS.	
0 PLC ±		PRODUCT SPEC 108-20067	SIZE A2	
1 PLC ±		APPLICATION SPEC 114-20018	CAGE CODE 1	
2 PLC ±		WEIGHT -	DRAWING NO G-282042	
3 PLC ±		CUSTOMER DRAWING	RESTRICTED TO	
4 PLC ±		SCALE 2:1	SHEET 7 OF 11	
ANGLES ±2°		FINISH STAGNATO (TIN PLATED)	REV Z42	
MATERIAL CONNECTORE NYLON (CONNECTOR NYLON) CONTATTO OTTONE (CONTACT BRASS)				

THIS DRAWING IS UNPUBLISHED. RELEASED FOR PUBLICATION PART NUMBER ASSY CONN.  
 © COPYRIGHT copyright dbTe- ALL RIGHTS RESERVED.

REVISIONS				
P	LTR	DESCRIPTION	DATE	DWN APVD
SEE SHEET 1				

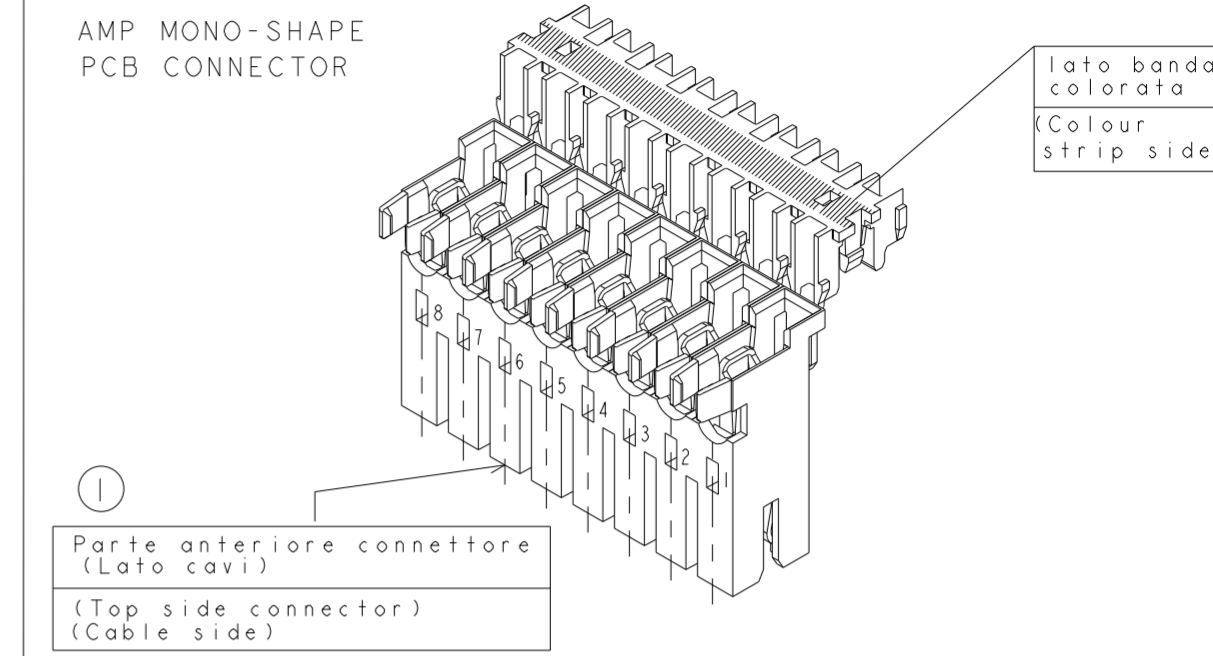
NUMERO DI VIE	CONFIGURAZIONE (VISTA CON USCITA CAVI IN ALTO)	VERSIONE PEZZI IN VASSOIO	REV	VERSIONE PEZZI SCIOLTI	REV	POSIZIONE POLARIZ. (INTERVIA)	L (mm)	MARCHIATURA CON BANDA COLORATA
NO. OF POS.	CONFIGURATION (VIEW WITH CABLE EXIT UP)	ON TRAY VERSION	PART REV.	LOOSE PIECES PACKAGING VERSION	PART REV.	POLARIZ. POSITION (INTERVIA)	L (mm)	STRIP COLOUR
2		1-282042-1	U	2-282042-1	U	-	10.8	ARANCIONE (ORANGE)
2		1-282042-2	U	2-282042-2	U	-	10.8	VERDE (GREEN)
2		1-282042-3	U	2-282042-3	U	-	9.9	BLU (BLUE)
2		1-282042-4	U	2-282042-4	U	-	10.8	ROSSO (RED)
2		1-282042-5	U	2-282042-5	U	-	9.9	NERO (BLACK)
2		1-282042-6	V	-	-	-	9.9	VIOLA (VIOLET)
2		1-284561-1	V	-	-	-	9.9	VERDE (GREEN)
2		1-284561-2	V	-	-	-	9.9	-
3		1-282043-2	U	2-282043-2	U	-	14.9	-
		1-282043-3	U	2-282043-3	U	-	14.9	NERO (BLACK)
3		0-282235-2	U	2-282235-2	U	-	15.8	-
		0-282235-3	U	2-282235-3	U	-	15.8	NERO (BLACK)
3		1-284546-1	V	-	-	2-3	14.9	BLU (BLUE)
3		284546-2	Z	-	-	-	14.9	VERDE (GREEN)
4		1-282044-1	V	2-282044-1	V	-	19.9	-
		3-282044-1	V	-	-	-	19.9	-
4		3-282044-2	I	-	-	2-3	19.9	-

CONNETTORE COMPLETO DI CAVO (TERMINATED CONNECTOR)

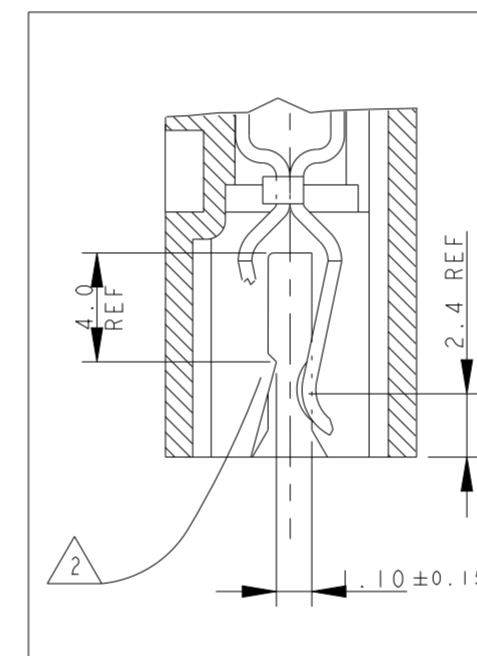


22.5 max. (FOR REFERENCE ONLY)

LEGENDA (DESCRIPTION)



1) PER LE DIMENSIONI DEGLI SCARICHI SUL PCB VEDERE FOGLIO 5 E 6 (FOR PCB LAYOUT AND DIMENSIONS SEE SHEET 5 AND 6)



2) GLI AGGANCI PER DIMA CIRCUITO STAMPATO, SONO SEMPRE RICAVATI SULLA SECONDA E PENULTIMA PARETE DEL BLOCCETTO (INDICATI COME X-Y SUI DETTAGLI DEL DISEGNO) (LOCKING TEETH ARE OBTAINED ON THE SECOND AND THE SECOND-LAST WALL (NAMED X-Y ON RELEVANT DWG. DETAILS))

3) MARCHIO DI FABBRICA (LIBERA POSIZIONE) (TRADEMARK) (FREE POSITION)

4) NUMERI DI IDENTIFICAZIONE CAVITA' (CIRCUIT IDENTIFICATION)

5) ADATTO PER SCHEDA CIRCUITO STAMPATO SPESSORE 1.5±0.14 (SUITABLE FOR P.C.B. THK. 1.5±0.14)

6) PRELIMINARY PART - NOT YET RELEASED FOR PRODUCTION

12) INCLUDE LA POLARIZZAZIONE DOVE E' ESISTENTE (INCLUDING POLARIZATION KEY, WHEN EXISTING)

15) STATO DI FORNITURA: CONFEZIONAMENTO IN "VASSOI + SCATOLA" (PACKAGING: "ON TRAY PLUS CARTON BOX")

16) CONFEZIONAMENTO IN BOBINA OBSOLETATO (PACKAGING: "ON REEL" OBSOLETE)

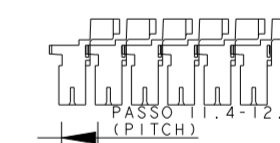
17) APPROVAZIONE VDE, FILE No. 3905 (VDE APPROVAL, FILE No. 3905)

18) PROFILO "A" E' VALIDO PER OGNI CONFIGURAZIONE, PROFILO "B" E' AMMESSO SOLO PER I PN IDENTIFICATI IN TABELLA DALLA PRESENTE NOTA. VEDERE DETTAGLI A PAGINA 3. (SHAPE "A" VALID FOR EACH CONFIGURATION, SHAPE "B" IS PERMITTED ONLY ON PN WHERE THIS NOTE IS SHOWN ON RELEVANT DRAWING TABLE). SEE DETAILS AT PAGE 3.

19) OBSOLETE: CIS STREAMLINING PER D.RENAUD/D.SINISI

20) OBSOLETE

21) PA GF, UL-V0 GWEPT 750°C NO FLAME, NATURAL



2	BLOCCETTO (HOUSING)	NATURALE (NATURAL)	PA 6.6 CARICATO VETRO (POLIAMIDE 6.6 GLASSFIBER FILLED)
1	CONTATTO (CONTACT)	STAGNATO (TIN-PLATED)	OTTONE (BRASS)
ITEM (ITEM)	DENOMINAZIONE (DESCRIPTION)	FINITURA/COLORE (FINISH/COLOUR)	MATERIALE (MATERIAL)

THIS DRAWING IS A CONTROLLED DOCUMENT.

DWN: C.CORDOLA 23JUL1996  
 CHK: G.TURCO 23JUL1996  
 APVD: G.TURCO 23JUL1996

STE TE Connectivity

NAME: MONO-SHAPE, MK1 PCB CONNECTOR 2-12 POS.

PRODUCT SPEC: 108-20067  
 APPLICATION SPEC: 114-20018

SIZE: A2 CAGE CODE: 1 DRAWING NO: C-282042 RESTRICTED TO: 11

MATERIAL: CONNETTORE NYLON (CONNECTOR NYLON) FINISH: STAGNATO (TIN PLATED)  
 CONTATTO OTTONE (CONTACT BRASS)

CUSTOMER DRAWING SCALE: SHEET 8 OF 11 REV: 242



4 3 2 1

THIS DRAWING IS UNPUBLISHED. RELEASED FOR PUBLICATION PART NUMBER ASSY CONN.  
 © COPYRIGHT copyright dbTe- ALL RIGHTS RESERVED.

REVISIONS				
P	LTR	DESCRIPTION	DATE	DWN APVD
SEE SHEET 1				

NUMERO DI VIE	CONFIGURAZIONE (VISTA CON USCITA CAVI IN ALTO)	VERSIONE PEZZI IN VASSOIO	REV	VERSIONE PEZZI SCIOLTI	REV	POSIZIONE POLARIZ. (INTERVIA)	L (mm)	MARCHIATURA CON BANDA COLORATA
NO. OF POS.	CONFIGURATION (VIEW WITH CABLE EXIT UP)	ON TRAY VERSION	PART REV.	LOOSE PIECES PACKAGING VERSION	PART REV.	POLARIZ. POSITION (INTERVIA)	L (mm)	STRIP COLOUR
5		1-282045-1	U	2-282045-1	U	-	24.9	-
5		1-282045-2	U	2-282045-2	U	2-3	24.9	VERDE (GREEN)
5		1-282045-3	U	2-282045-3	U	2-3	24.9	BLU (BLUE)
5		1-284733-1	U	2-284733-1	U	-	24.9	-
5		3-282045-4	Z	-	-	1-2	24.9	ARANCIONE (ORANGE)
6		1-282046-1	U	2-282046-1	U	2-3	29.9	-
6		2-282046-2	I	-	-	2-3	29.9	-
6		4-282046-1	Z	5-282046-1	I	2-3	29.9	-
6		1-284734-1	U	2-284734-1	U	2-3	29.9	-
7		1-282047-1	U	2-282047-1	U	-	34.9	-
7		2-282047-3	Z	-	-	2-3	34.9	VIOLA (VIOLET)
8		0-284208-1	U	2-284208-1	U	2-3	39.9	-
9		1-282049-1	U	2-282049-1	U	2-3 6-7	44.9	-
10		1-282050-1	U	2-282050-1	U	2-3 7-8	49.9	-
10		1-284401-1	V	-	-	2-3	49.9	NERO (BLACK)
11		1-282051-1	U	2-282051-1	U	2-3 8-9	54.9	-
12		1-282052-1	U	2-282052-1	U	2-3 9-10	59.9	-

CONNETTORE COMPLETO DI CAVO (TERMINATED CONNECTOR)

LEGENDA (DESCRIPTION)

AMP MONO-SHAPE PCB CONNECTOR

1) Parte anteriore connettore (Lato cavi) (Top side connector) (Cable side)

lato banda colorata (Colour strip side)

1) PER LE DIMENSIONI DEGLI SCARICHI SUL PCB VEDERE FOGLIO 5 E 6 (FOR PCB LAYOUT AND DIMENSIONS SEE SHEET 5 AND 6)

2) GLI AGGANCI PER DIMA CIRCUITO STAMPATO, SONO SEMPRE RICAVATI SULLA SECONDA E PENULTIMA PARETE DEL BLOCCETTO (INDICATI COME X-Y SUI DETTAGLI DEL DISEGNO) (LOCKING TEETH ARE OBTAINED ON THE SECOND AND THE SECOND-LAST WALL (NAMED X-Y ON RELEVANT DWG. DETAILS))

3) MARCHIO DI FABBRICA (LIBERA POSIZIONE) (TRADEMARK) (FREE POSITION)

4) NUMERI DI IDENTIFICAZIONE CAVITA' (CIRCUIT IDENTIFICATION)

5) ADATTO PER SCHEDA CIRCUITO STAMPATO SPESSORE 1.5±0.14 (SUITABLE FOR P.C.B. THK. 1.5±0.14)

6) PRELIMINARY PART - NOT YET RELEASED FOR PRODUCTION

12) INCLUDE LA POLARIZZAZIONE DOVE E' ESISTENTE (INCLUDING POLARIZATION KEY, WHEN EXISTING)

15) STATO DI FORNITURA: CONFEZIONAMENTO IN "VASSOI + SCATOLA" (PACKAGING: "ON TRAY PLUS CARTON BOX")

16) CONFEZIONAMENTO IN BOBINA OBSOLETATO (PACKAGING: "ON REEL" OBSOLETE)

17) APPROVAZIONE VDE, FILE No. 3905 (VDE APPROVAL, FILE No. 3905)

18) PROFILO "A" E' VALIDO PER OGNI CONFIGURAZIONE, PROFILO "B" E' AMMESSO SOLO PER I PN IDENTIFICATI IN TABELLA DALLA PRESENTE NOTA (SHAPE "A" VALID FOR EACH CONFIGURATION, SHAPE "B" IS PERMITTED ONLY ON PN WHERE THIS NOTE IS SHOWN ON RELEVANT DRAWING TABLE)

19) OBSOLETE: CIS STREAMLINING PER D.RENAUD/D.SINISI

20) OBSOLETE

21) PA GF, UL-V0 GWEPT 750°C NO FLAME, NATURAL

2	BLOCCETTO (HOUSING)	NATURALE (NATURAL)	PA 6.6 CARICATO VETRO (POLIAMIDE 6.6 GLASSFIBER FILLED)
1	CONTATTO (CONTACT)	STAGNATO (TIN-PLATED)	OTTONE (BRASS)
ITEM	DENOMINAZIONE (DESCRIPTION)	FINITURA/COLORE (FINISH/COLOUR)	MATERIALE (MATERIAL)

THIS DRAWING IS A CONTROLLED DOCUMENT.

DWN: C. CORDOLA 23 JUL 1996  
 CHK: G. TURCO 23 JUL 1996  
 APVD: G. TURCO 23 JUL 1996

TE Connectivity

NAME: MONO-SHAPE, MK1 PCB CONNECTOR 2-12 POS.

108-20067  
 114-20018

SIZE: A2  
 CAGE CODE: 1  
 DRAWING NO: C-282042

RESTRICTED TO

CUSTOMER DRAWING SCALE: 2:1 SHEET: 9 OF 11 REV: 742

1471-9 (3/13) Downloaded From Oneyac.com

THIS DRAWING IS UNPUBLISHED. RELEASED FOR PUBLICATION  
 © COPYRIGHT copyright.d8Te- ALL RIGHTS RESERVED.

REVISIONS				
P	LTR	DESCRIPTION	DATE	APVD
-	-	SEE SHEET 1	-	-

21 PA GF, UL-V0 GWEPT 750°C NO FLAME, NATURAL

NO of POS.	CONFIGURATION (SEE TYP. SECTION ONLY FOR REF 1)	ON TRAY PACKAGING VERSION	PART REV.	LOOSE PIECES PACKAGING VERSION	PART REV.	POLARIZ. POSITION (INTERVIA)	"L" (mm)	COLOR CODE
2		2293372-2	Z	-	-	-	9.9	BLUE
2		1-2293372-2	Z	-	-	-	9.9	-
2		2-2293372-2	I	-	-	-	9.9	-
3		2293372-3	I	-	-	-	14.9	-
4		2293372-4	Z	-	-	-	19.9	-
5		2293372-5	Z	-	-	1-2	24.9	-
6		2293372-6	Z	-	-	2-3	29.9	-
7		2293372-7	Z	-	-	-	34.9	-
7		1-2293372-7	I	-	-	2-3	34.9	VIOLET
8		2293372-8	Z	-	-	-	39.9	-
9		2293372-9	Z	-	-	2-3 6-7	44.9	-
10	-	1-2293372-0	I	-	-	-	49.9	-
11	-	2297072-1	I	-	-	-	54.9	-
12		2297072-2	I	-	-	2-3 9-10	59.9	-

THIS DRAWING IS A CONTROLLED DOCUMENT.		DWN C. CORDOLA 23 JUL 1996	TE Connectivity	
DIMENSIONS: mm		CHK G. TURCO 23 JUL 1996		
TOLERANCES UNLESS OTHERWISE SPECIFIED:		APVD G. TURCO 23 JUL 1996	NAME MONO-SHAPE, MK I PCB CONNECTOR 2-12 POS.	
		PRODUCT SPEC 108-20067	RESTRICTED TO	
MATERIAL CONNETTORE NYLON (CONNECTOR NYLON) CONTATTO OTTONE (CONTACT BRASS)		APPLICATION SPEC 114-20018	SIZE A2	CAGE CODE 1
FINISH STAGNATO (TIN PLATED)		WEIGHT -	DRAWING NO C-282042	SCALE 2:1
CUSTOMER DRAWING		SHEET 10 OF 11		REV. Z42

THIS DRAWING IS UNPUBLISHED. RELEASED FOR PUBLICATION  
 © COPYRIGHT copyright.d8te- ALL RIGHTS RESERVED.

REVISIONS				
P	LTR	DESCRIPTION	DATE	APVD
-	-	SEE SHEET 1	-	-

△ PA GF, UL-V0 GWEPT 750°C NO FLAME, NATURAL

LONG VERSION

PARTS HAVE NOT YET COMPLETED QUALIFICATION TESTING

NO. of POS.	CONFIGURATION (SEE TYP. SECTION ONLY FOR REF.)	ON TRAY PACKAGING VERSION	PART REV.	POLARIZ. POSITION (INTERNAL)	"L" (mm)	COLOR CODE
2		2298752-2	Z	-	9.9	BLUE
2		1-2298752-2	Z	-	9.9	BLACK
3		2298752-3	Z	-	14.9	-
4		2298752-4	Z	-	19.9	-
5		2298752-5	Z	1-2	24.9	ORANGE
5		1-2298752-5	Z	2-3	24.9	GREEN
6		2298752-6	Z	2-3	29.9	-
7		2298752-7	Z	-	34.9	-
8		2298752-8	Z	2-3	39.9	-
9		2298752-9	Z	2-3 6-7	44.9	-
10		1-2298752-0	Z	2-3 7-8	49.9	-
11		2298552-1	Z	2-3 8-9	54.9	-
12		2298552-2	Z	2-3 9-10	59.9	-

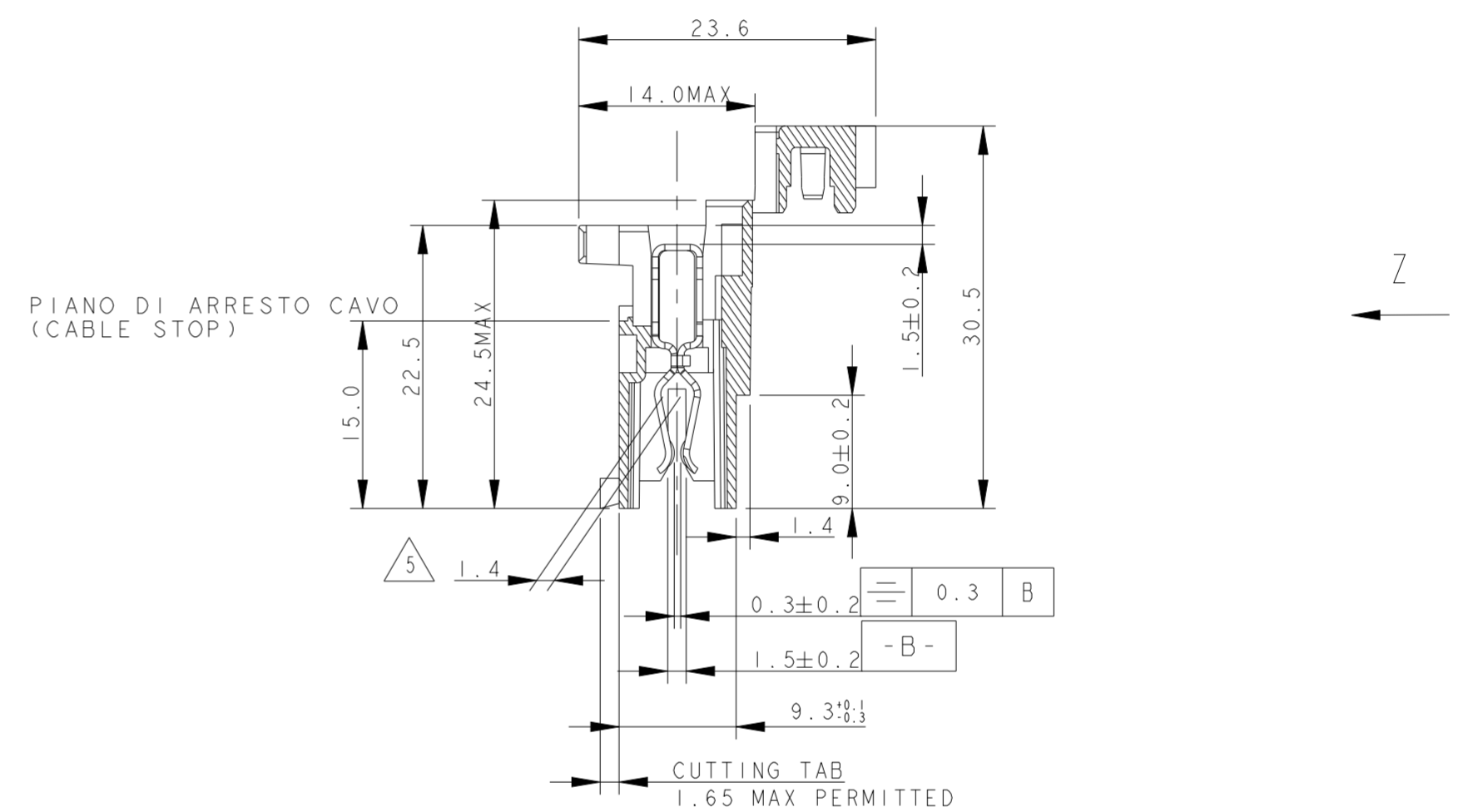
LONG VERSION

PARTS HAVE NOT COMPLETED QUALIFICATION TESTING

PA GF, UL-V2, NATURAL

NO. OF POS.	CONFIGURATION	ON TRAY PACKAGING VERSION	PART REV.	POLARIZATION	"L"	COLOR CODE
2		2333039-2	Z	-	9.9	BLUE
2		1-2333039-2	Z	-	9.9	BLACK
3		2333039-3	Z	-	14.9	-
4		2333039-4	Z	-	19.9	-
5		2333039-5	Z	2-3	24.9	GREEN
6		2333039-6	Z	2-3	29.9	-
7		2333039-7	Z	-	34.9	-
8		2333039-8	Z	2-3	39.9	-

VIEW APPLIES TO LONG VERSION ONLY



THIS DRAWING IS A CONTROLLED DOCUMENT.		DWN C. CORDOLA 23 JUL 1996	TE Connectivity				
DIMENSIONS: mm		CHK G. TURCO 23 JUL 1996					
TOLERANCES UNLESS OTHERWISE SPECIFIED:		APVD G. TURCO 23 JUL 1996					
0 PLC ± 0.3	1 PLC ± 0.3	2 PLC ± 0.3	3 PLC ± 0.3	4 PLC ± 0.3	ANGLES ± 2°	FINISH STAGNATO (TIN PLATED)	NAME MONO-SHAPE, MK1 PCB CONNECTOR 2-12 POS.
MATERIAL CONNETTORE NYLON (CONNECTOR NYLON) CONTATTO OTTONE (CONTACT BRASS)		PRODUCT SPEC 108-20067	APPLICATION SPEC 114-20018	WEIGHT -	SCALE 2:1	SHEET 11 OF 11	REV 242
CUSTOMER DRAWING		CAGE CODE 1	DRAWING NO. C-282042	RESTRICTED TO			

单击下面可查看定价，库存，交付和生命周期等信息

[>>TE Connectivity\(泰科\)](#)