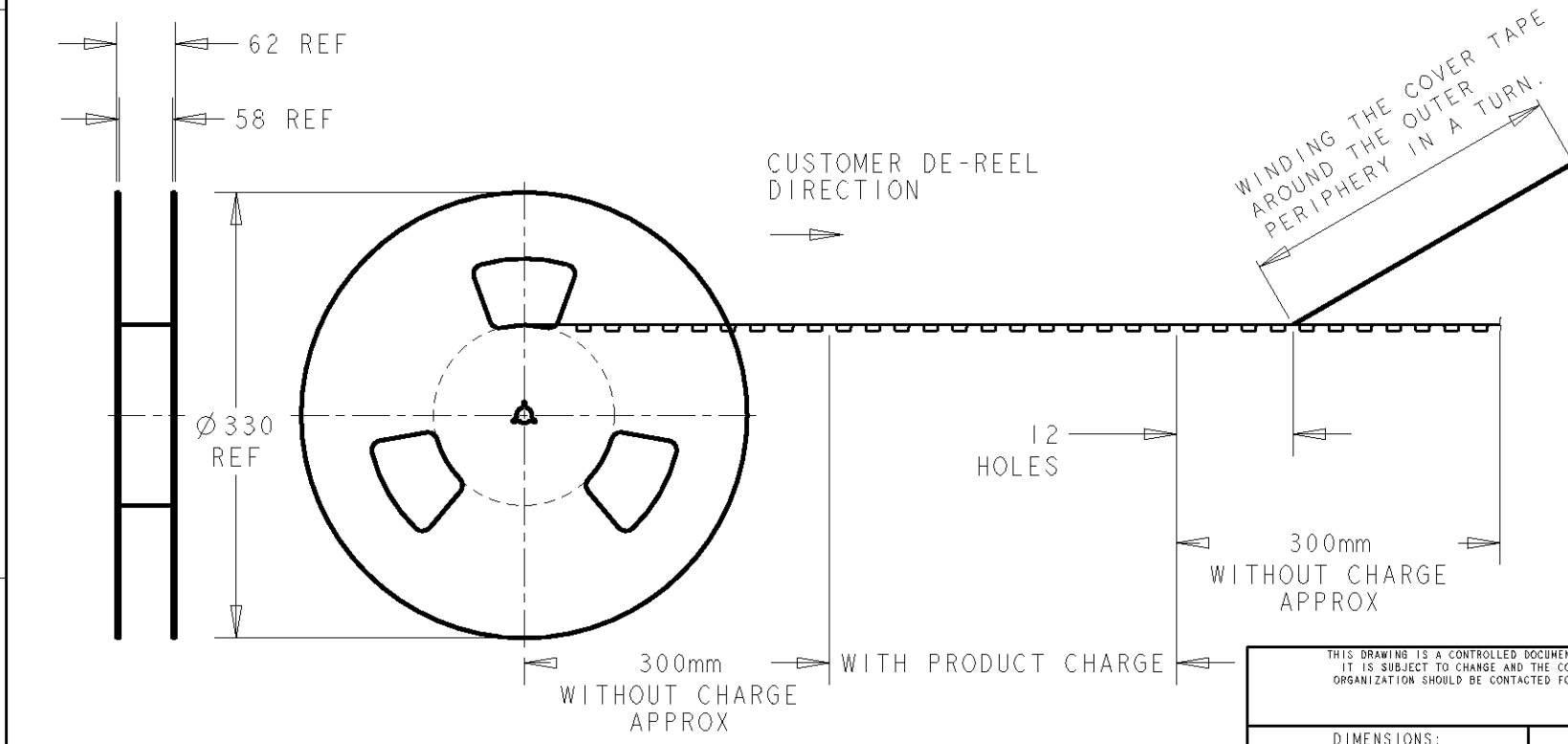
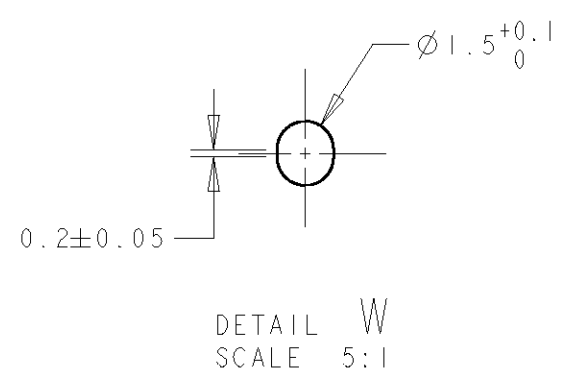
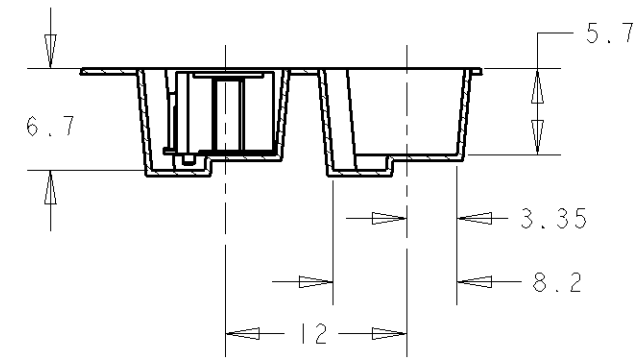
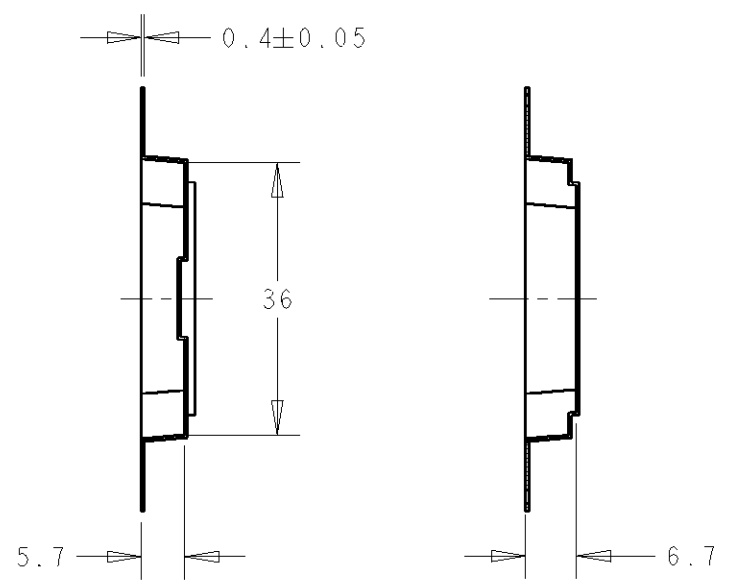
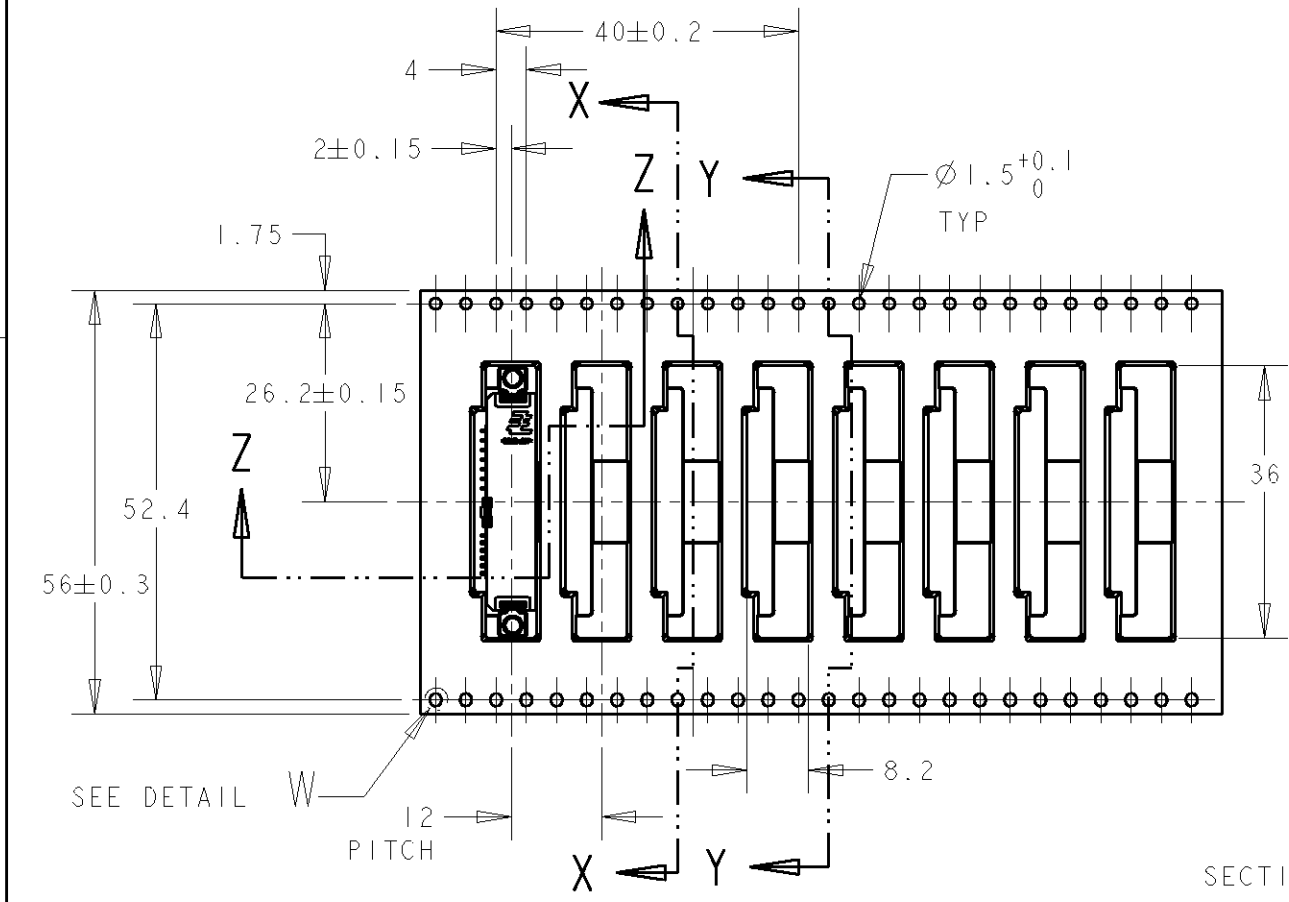


THIS DRAWING IS UNPUBLISHED. RELEASED FOR PUBLICATION .19
 © COPYRIGHT 19 BY AMP INCORPORATED. ALL RIGHTS RESERVED.

LOC		DIST		REVISIONS			
P	LTR	DESCRIPTION		DATE	DWN	APVD	
	A4	REVISED ECR-08-010019		18APR2008	YKW	LSF	

P/N AS SHOWN: 1735471-1, -2, -3



PEELING STRENGTH: 20g TO 70g
 PEELING ANGLE: 165° TO 180°
 PEELING SPEED: 300mm/MINUTE
 QUANTITY PER REEL: 650 PIECES

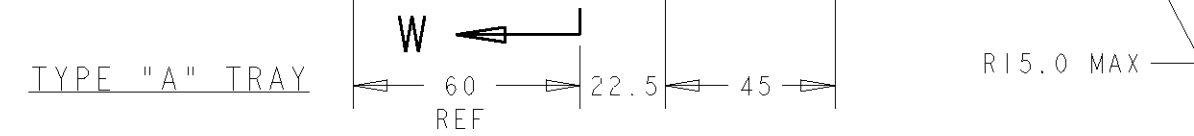
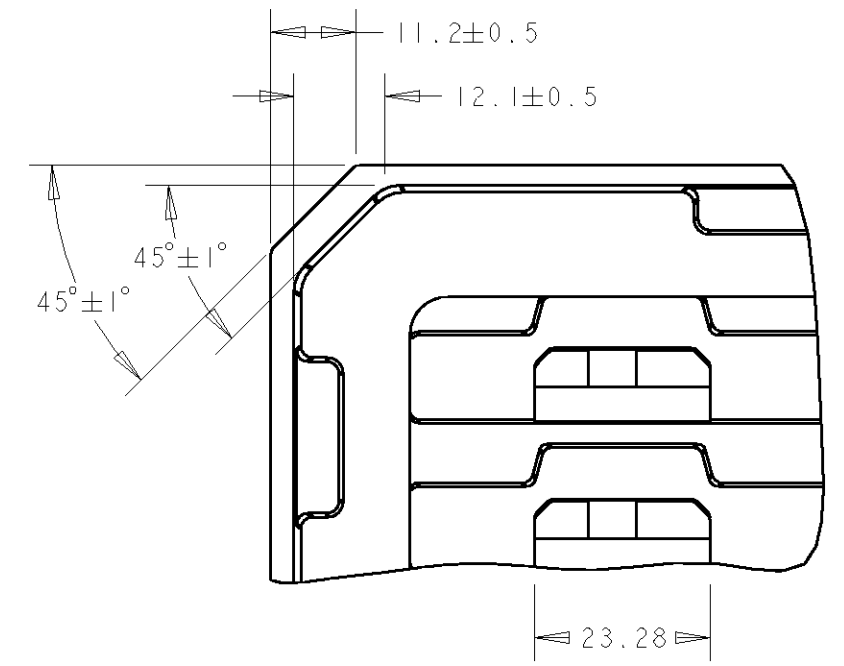
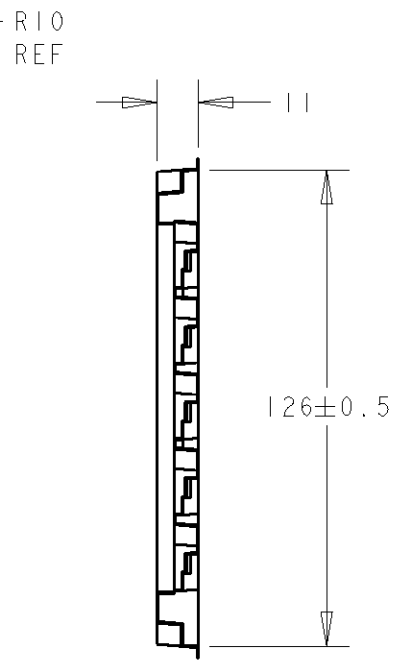
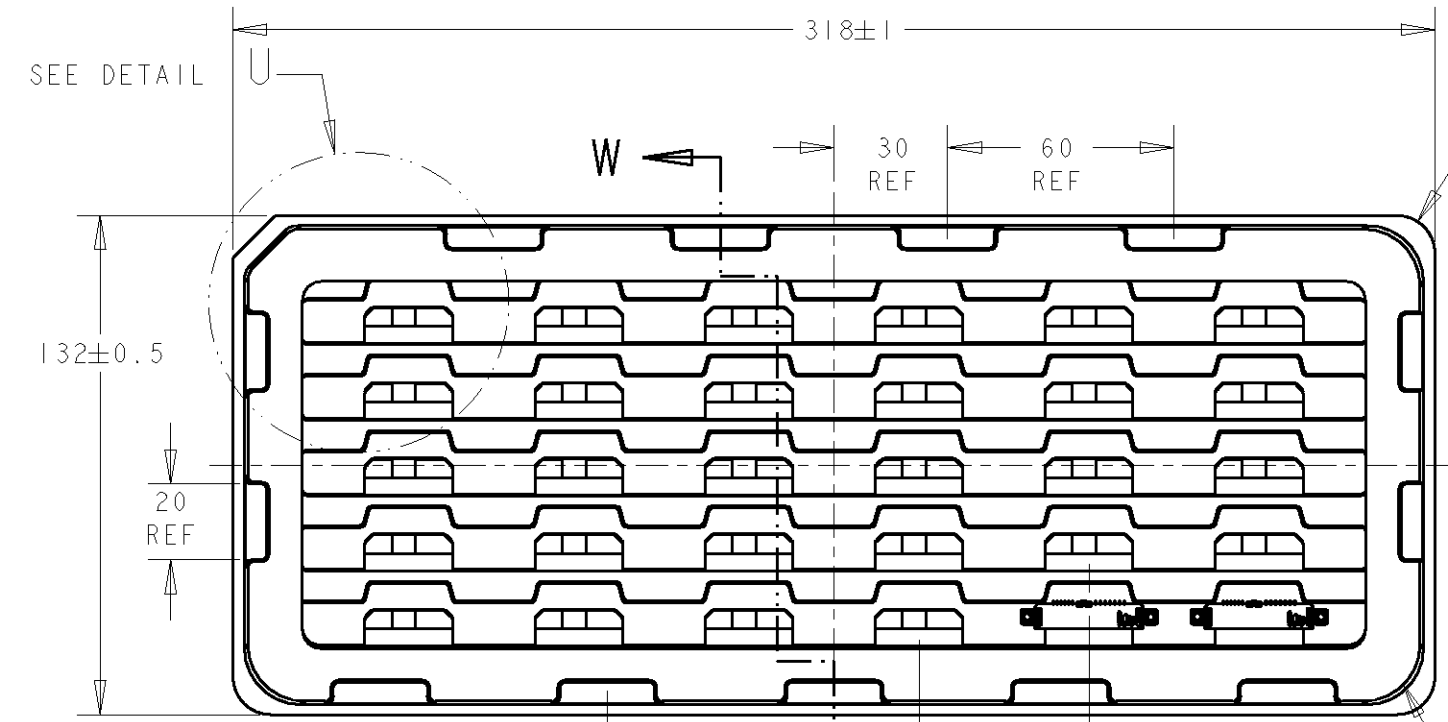
TRAY		1-1735471-3
TAPE & REEL	0.76µm	1735471-3
PACKAGING TYPE	"A"	PART NO.

<small>THIS DRAWING IS A CONTROLLED DOCUMENT FOR AMP INCORPORATED. IT IS SUBJECT TO CHANGE AND THE CONTROLLING ENGINEERING ORGANIZATION SHOULD BE CONTACTED FOR THE LATEST REVISION.</small>		DWN KW YAP 07AUG2007	Tyco Electronics Corporation Singapore	
DIMENSIONS: mm		CHK SF LEONG	NAME ASSEMBLY SLIMLINE SATA PLUG 7P+6P (HEIGHT= 5.4mm) WITH LOCATING BOSS AND SQUARE M2 SIDE PEGS	
		APVD SF LEONG	PRODUCT SPEC 108-51075	
TOLERANCES UNLESS OTHERWISE SPECIFIED: 0 PLC ±0.2 1 PLC ±0.2 2 PLC ±0.2 3 PLC ±0.2 4 PLC ± ANGLES ±1°		APPLICATION SPEC N. A.	WEIGHT -	SIZE A3
MATERIAL 1	FINISH 2	CUSTOMER DRAWING		CAGE CODE 00779
		DRAWING NO 1735471		SCALE NTS
		SHEET 1 OF 5		REV A4

THIS DRAWING IS UNPUBLISHED. RELEASED FOR PUBLICATION .19
 © COPYRIGHT 19 BY AMP INCORPORATED. ALL RIGHTS RESERVED.

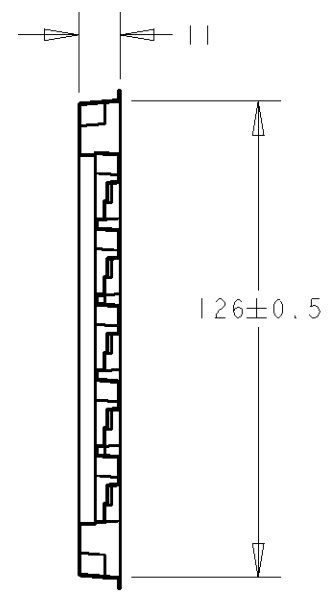
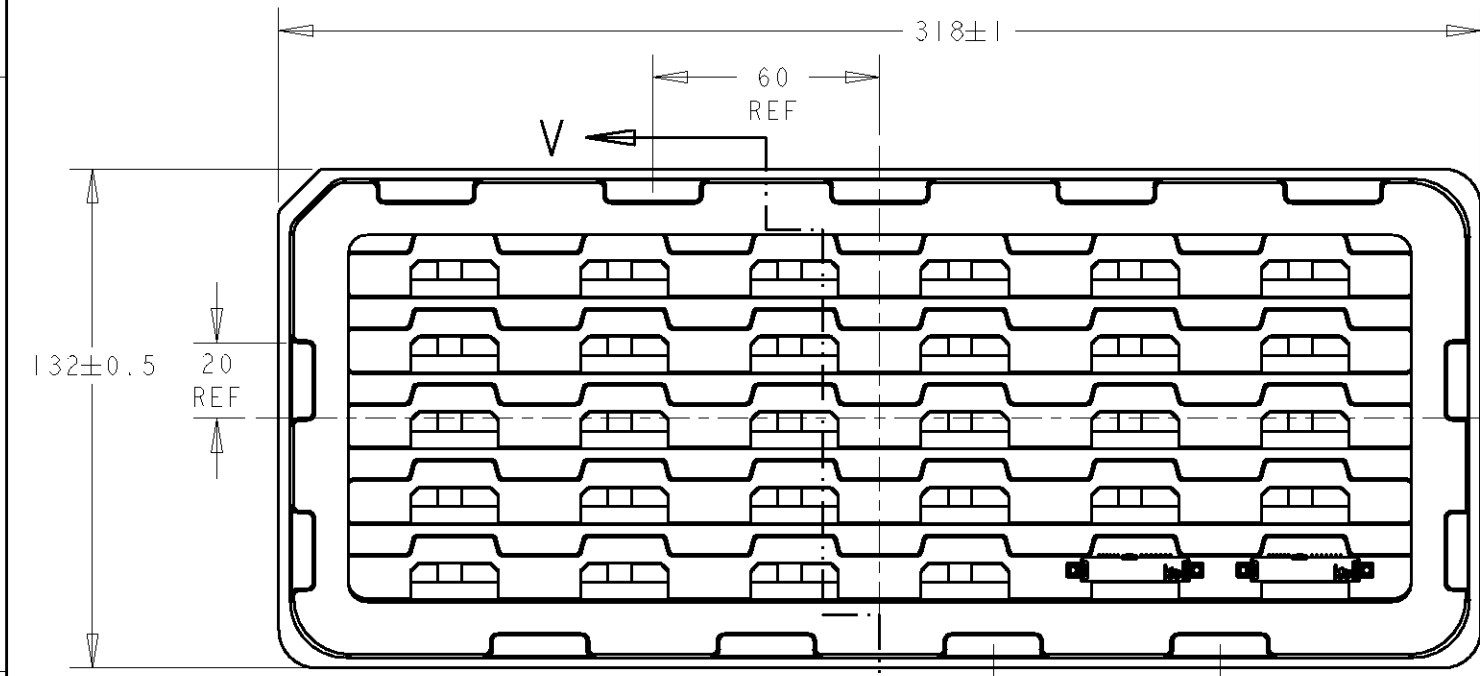
LOC	DIST	REVISIONS			
P	LTR	DESCRIPTION	DATE	DWN	APVD
DY	-	SEE SHEET 1			

P/N AS SHOWN: 1-1735471-1, 1- -2, 1- -3

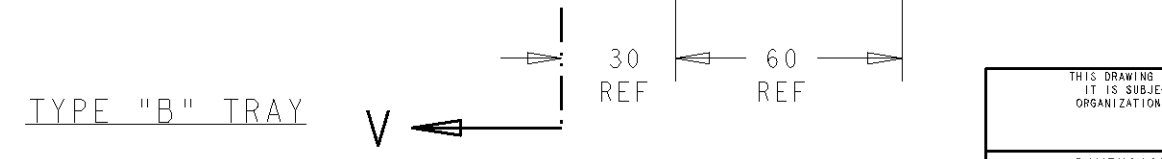


SECTION W-W

DETAIL U
SCALE 1:1

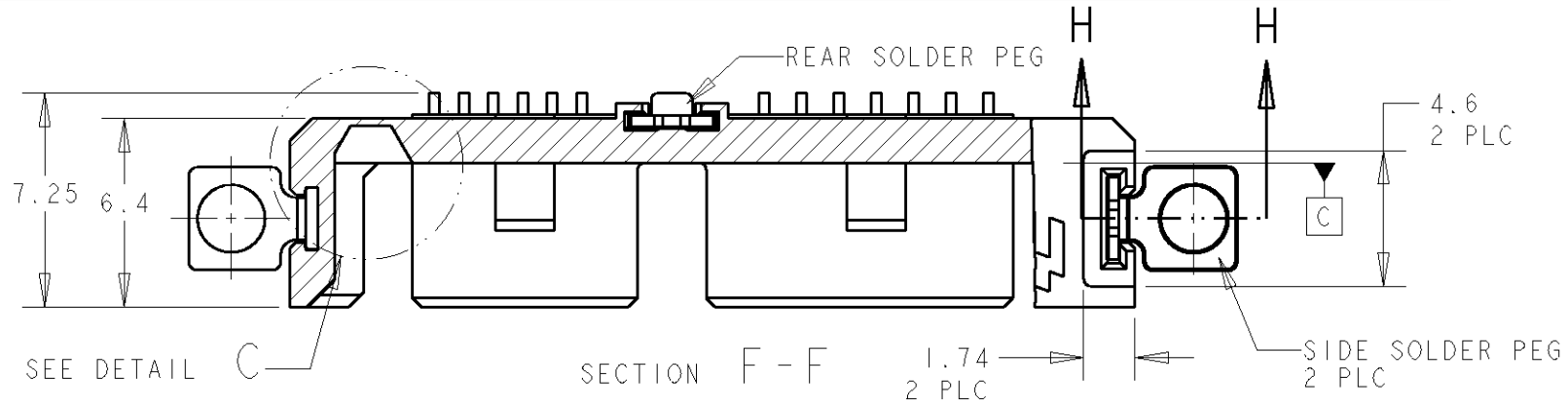


SECTION V-V



<small>THIS DRAWING IS A CONTROLLED DOCUMENT FOR AMP INCORPORATED. IT IS SUBJECT TO CHANGE AND THE CONTROLLING ENGINEERING ORGANIZATION SHOULD BE CONTACTED FOR THE LATEST REVISION.</small>		DWN KW YAP 07AUG2007	Tyco Electronics Corporation Singapore	
DIMENSIONS: mm		CHK SF LEONG	NAME ASSEMBLY SLIMLINE SATA PLUG 7P+6P (HEIGHT= 5.4mm) WITH LOCATING BOSS AND SQUARE M2 SIDE PEGS	
TOLERANCES UNLESS OTHERWISE SPECIFIED: 0 PLC ±0.2 1 PLC ±0.2 2 PLC ±0.2 3 PLC ±0.2 4 PLC ± ANGLES ±1°		APVD SF LEONG	SIZE A3	
MATERIAL 1		PRODUCT SPEC 108-51075	CAGE CODE 00779	DRAWING NO C-1735471
FINISH 2		APPLICATION SPEC N. A.	SCALE NTS	SHEET 2 OF 5
		WEIGHT -	REV A4	
		CUSTOMER DRAWING		

LOC	DIST	REVISIONS			
P	LTR	DESCRIPTION	DATE	DWN	APVD
DY	-	SEE SHEET 1			

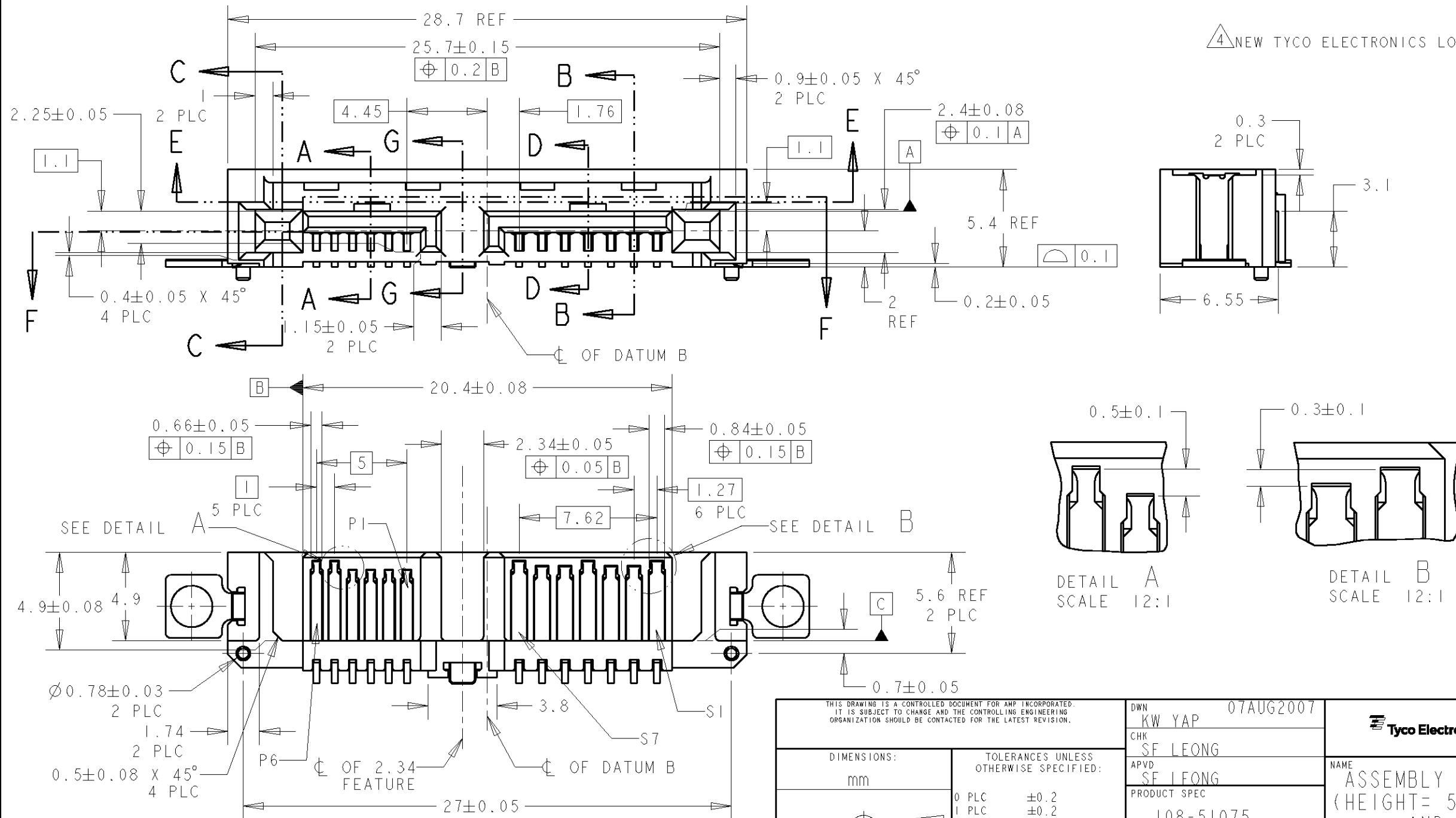


NOTES:

- 1 MATERIAL:
 HOUSING: HIGH TEMP THERMOPLASTIC, UL94 V-0, BLACK
 CONTACT: COPPER ALLOY
 SOLDER PEG: COPPER ALLOY
- 2 FINISH:
 CONTACT: "A" MIN GOLD PLATING AT MATING SIDE AND
 0.05µm MIN GOLD AT SOLDER TAIL,
 WITH 1.27µm MIN NICKEL UNDERPLATING ALL OVER
 SOLDER PEG: 2.54µm MIN TIN PLATING AT SOLDERING SURFACE
 WITH 1.27µm MIN NICKEL UNDERPLATING ALL OVER

3. CO-PLANARITY TO BE WITHIN 0.1mm

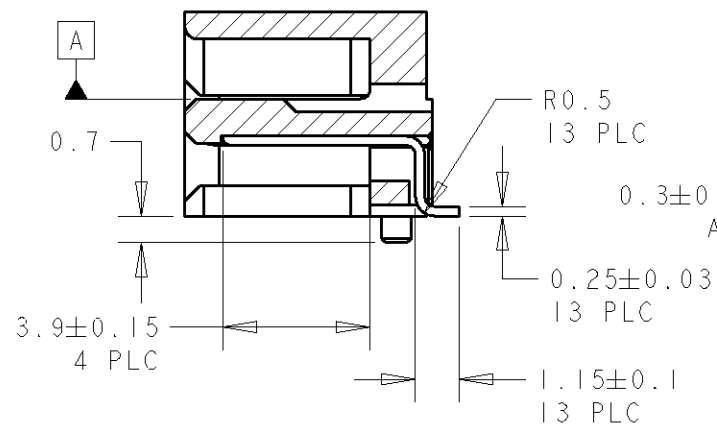
4 NEW TYCO ELECTRONICS LOGO



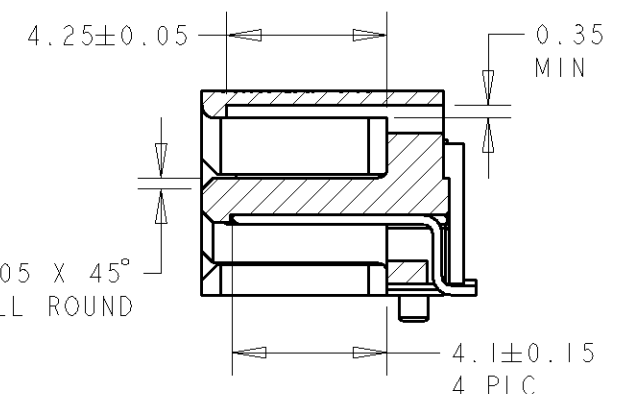
THIS DRAWING IS A CONTROLLED DOCUMENT FOR AMP INCORPORATED. IT IS SUBJECT TO CHANGE AND THE CONTROLLING ENGINEERING ORGANIZATION SHOULD BE CONTACTED FOR THE LATEST REVISION.		DWN 07AUG2007 KW YAP CHK SF LEONG APVD SF LEONG PRODUCT SPEC 108-51075 APPLICATION SPEC N. A. WEIGHT -	Tyco Electronics Corporation Singapore NAME ASSEMBLY SLIMLINE SATA PLUG 7P+6P (HEIGHT= 5.4mm) WITH LOCATING BOSS AND SQUARE M2 SIDE PEGS SIZE A3 CAGE CODE 00779 DRAWING NO C-1735471
DIMENSIONS: mm 	TOLERANCES UNLESS OTHERWISE SPECIFIED: 0 PLC ±0.2 1 PLC ±0.2 2 PLC ±0.2 3 PLC ±0.2 4 PLC ± ANGLES ±1°	MATERIAL 1 FINISH 2 CUSTOMER DRAWING	Tyco Electronics Corporation Singapore NAME ASSEMBLY SLIMLINE SATA PLUG 7P+6P (HEIGHT= 5.4mm) WITH LOCATING BOSS AND SQUARE M2 SIDE PEGS SIZE A3 CAGE CODE 00779 DRAWING NO C-1735471 SCALE 4:1 SHEET 3 OF 5 REV A4

THIS DRAWING IS UNPUBLISHED. RELEASED FOR PUBLICATION .19 .
 © COPYRIGHT 19 BY AMP INCORPORATED. ALL RIGHTS RESERVED.

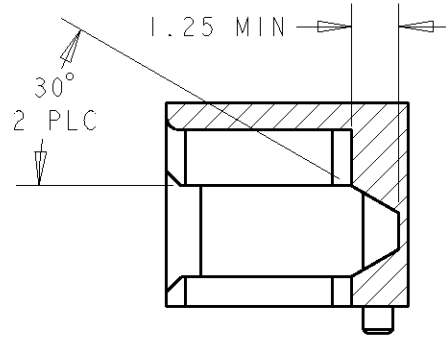
LOC	DIST	REVISIONS			
P	LTR	DESCRIPTION	DATE	DWN	APVD
DY	-	SEE SHEET 1			



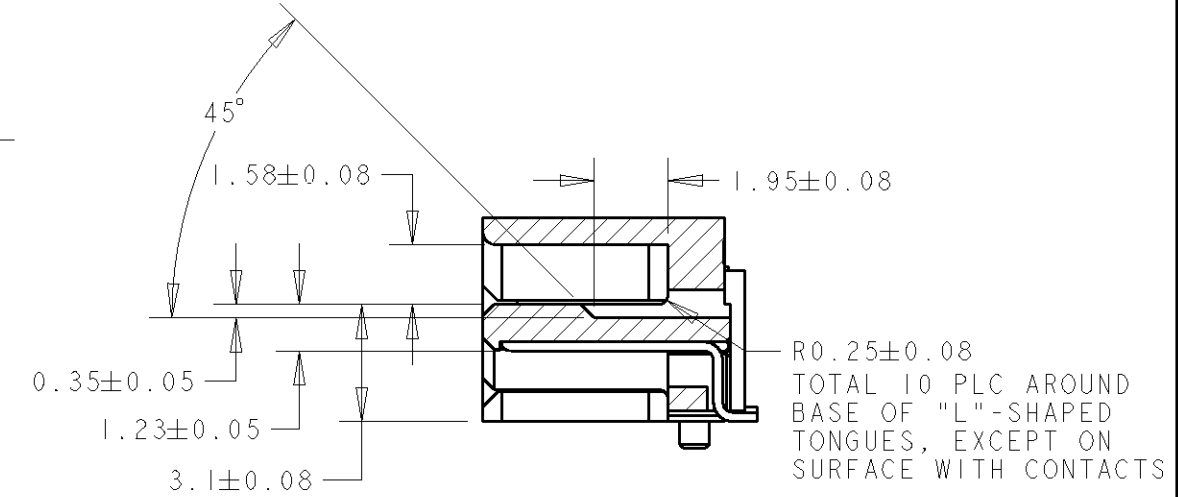
SECTION A-A
SCALE 5:1



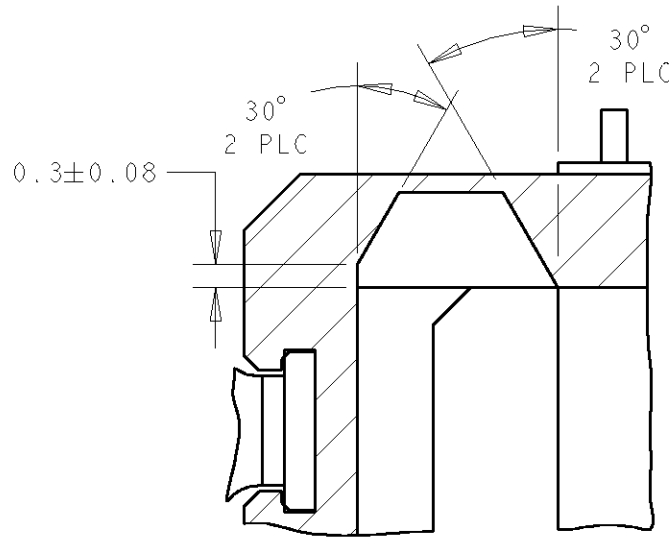
SECTION B-B
SCALE 5:1



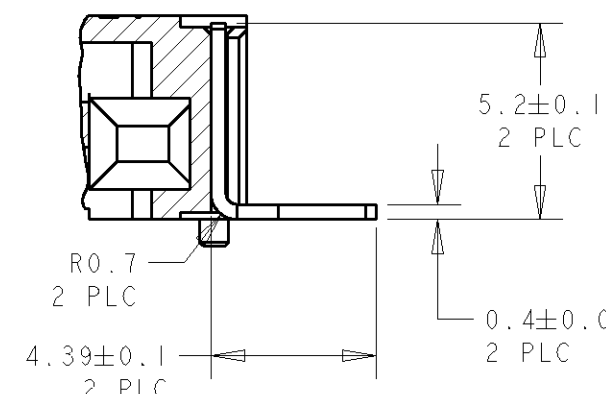
SECTION C-C
SCALE 5:1



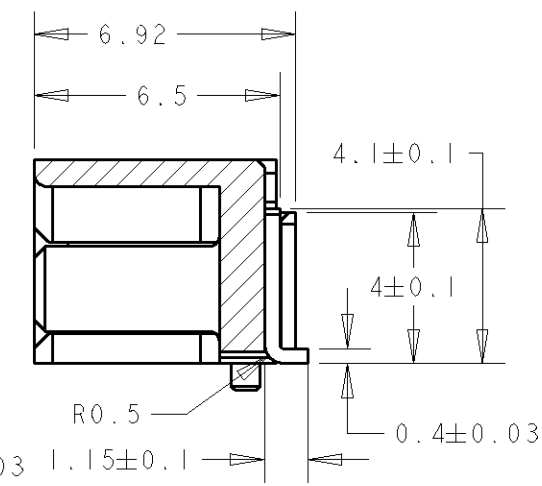
SECTION D-D
SCALE 5:1



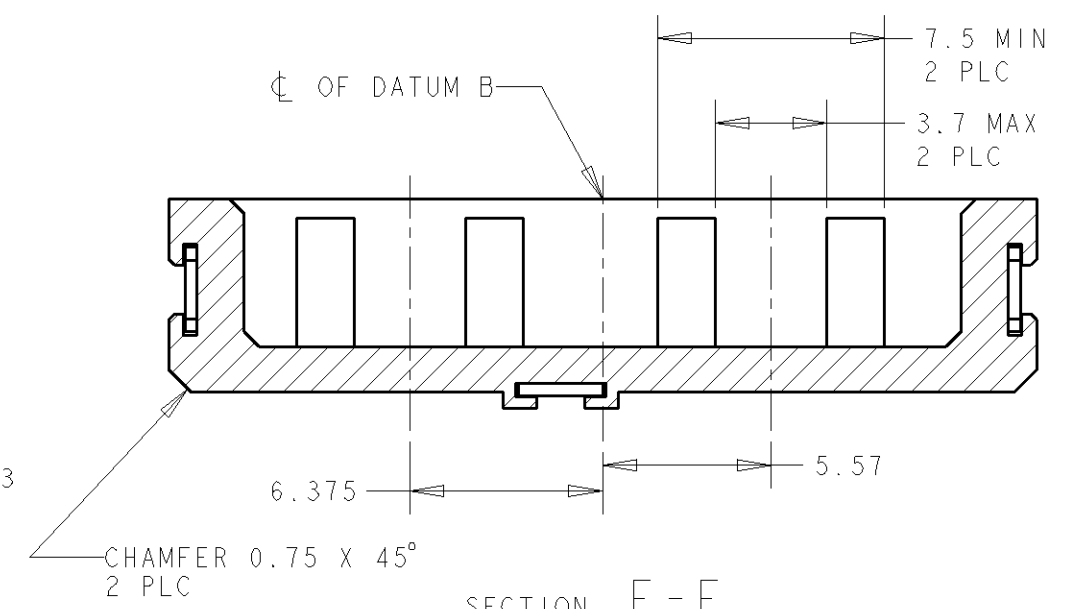
DETAIL C
SCALE 10:1



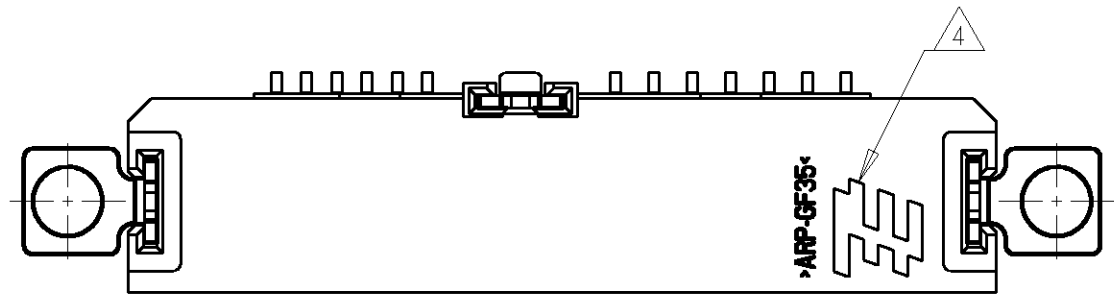
SECTION H-H
SCALE 5:1



SECTION G-G
SCALE 5:1



SECTION E-E



THIS DRAWING IS A CONTROLLED DOCUMENT FOR AMP INCORPORATED. IT IS SUBJECT TO CHANGE AND THE CONTROLLING ENGINEERING ORGANIZATION SHOULD BE CONTACTED FOR THE LATEST REVISION.		DWN KW YAP 07AUG2007	Tyco Electronics Corporation Singapore	
DIMENSIONS: mm	TOLERANCES UNLESS OTHERWISE SPECIFIED:	CHK SF LEONG	NAME ASSEMBLY SLIMLINE SATA PLUG 7P+6P (HEIGHT= 5.4mm) WITH LOCATING BOSS AND SQUARE M2 SIDE PEGS	
	0 PLC ±0.2	APVD SF LEONG	SIZE A3	CAGE CODE 00779
	1 PLC ±0.2	PRODUCT SPEC 108-51075	DRAWING NO C-1735471	
	2 PLC ±0.2	APPLICATION SPEC N. A.	SCALE 4:1	SHEET 4 OF 5
	3 PLC ±0.2	WEIGHT -		REV A4
	4 PLC ±			
	ANGLES ±1°			
MATERIAL 1	FINISH 2	CUSTOMER DRAWING		

4

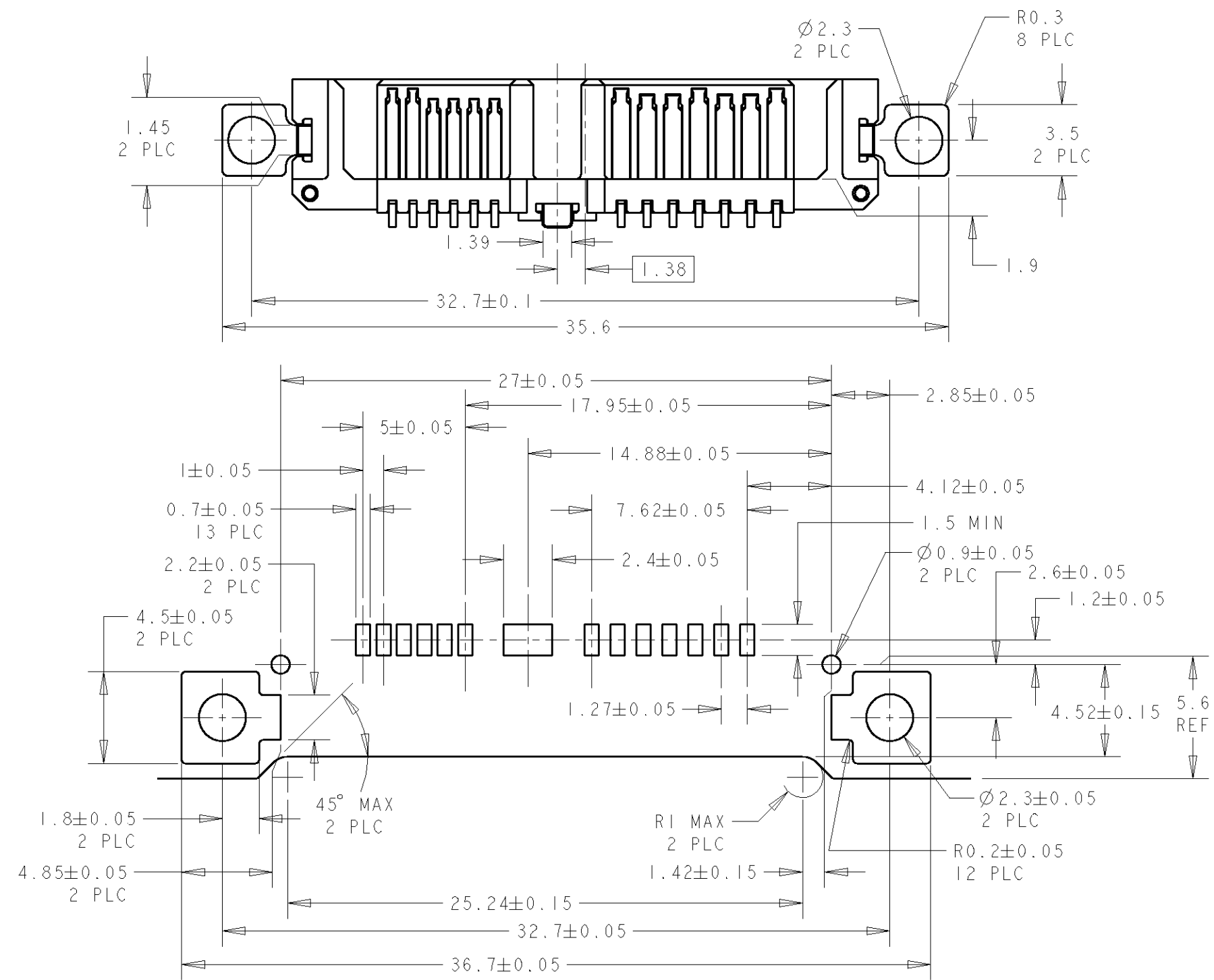
3

2

1

THIS DRAWING IS UNPUBLISHED. RELEASED FOR PUBLICATION .19
 © COPYRIGHT 19 BY AMP INCORPORATED. ALL RIGHTS RESERVED.

LOC	DIST	REVISIONS			
P	LTR	DESCRIPTION	DATE	DWN	APVD
DY	-	SEE SHEET 1			



RECOMMENDED PCB LAYOUT
 SCALE 4:1

<small>THIS DRAWING IS A CONTROLLED DOCUMENT FOR AMP INCORPORATED. IT IS SUBJECT TO CHANGE AND THE CONTROLLING ENGINEERING ORGANIZATION SHOULD BE CONTACTED FOR THE LATEST REVISION.</small>		DWN KW YAP 07AUG2007 CHK SF LEONG APVD SF LEONG PRODUCT SPEC 108-51075 APPLICATION SPEC N. A. WEIGHT -	Tyco Electronics Corporation Singapore
DIMENSIONS: mm 	TOLERANCES UNLESS OTHERWISE SPECIFIED: 0 PLC ±0.2 1 PLC ±0.2 2 PLC ±0.2 3 PLC ±0.2 4 PLC ± ANGLES ±1°	NAME ASSEMBLY SLIMLINE SATA PLUG 7P+6P (HEIGHT= 5.4mm) WITH LOCATING BOSS AND SQUARE M2 SIDE PEGS	SIZE A3 CAGE CODE 00779 DRAWING NO. C=1735471
MATERIAL 1 	FINISH 2 	CUSTOMER DRAWING	SCALE 4:1 SHEET 5 OF 5 REV A4

单击下面可查看定价，库存，交付和生命周期等信息

[>>TE Connectivity\(泰科\)](#)