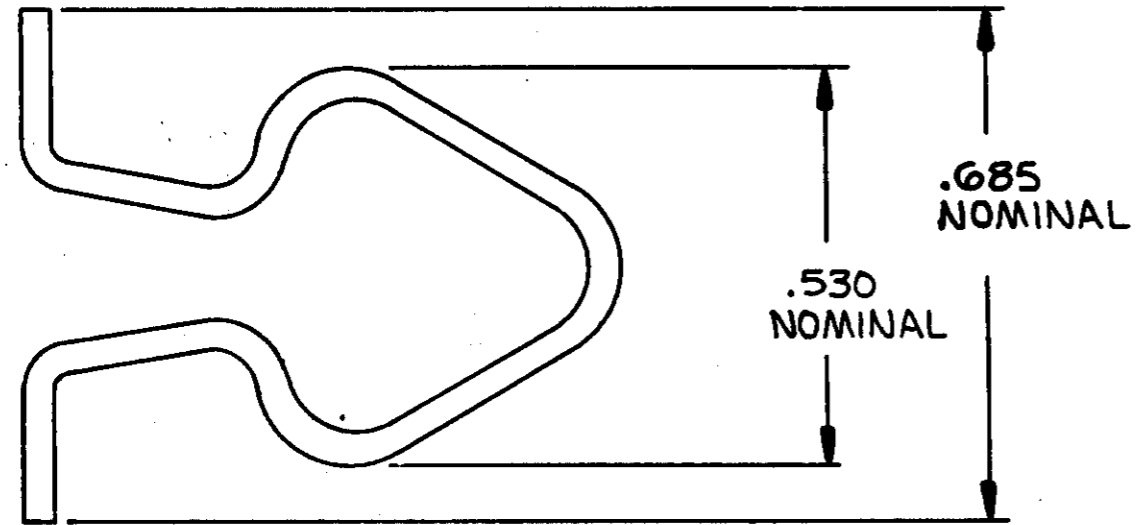
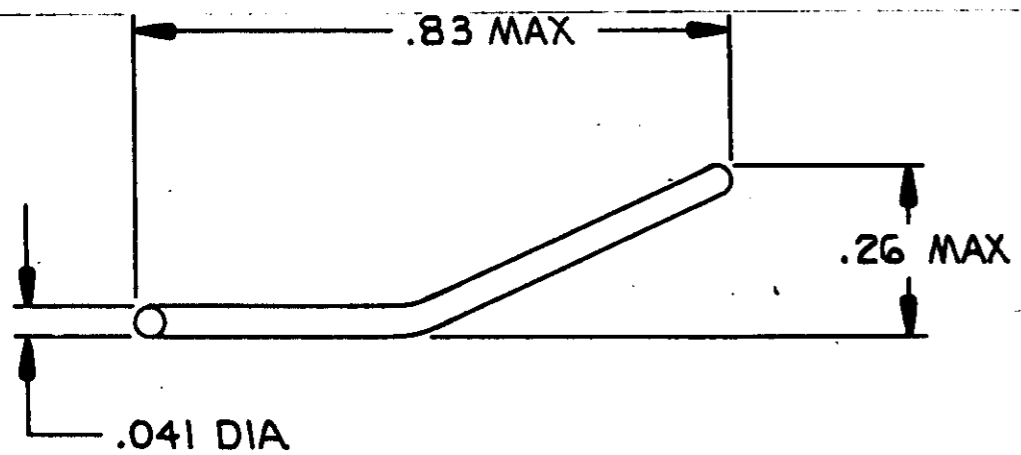


THIS DRAWING IS UNPUBLISHED. RELEASED FOR PUBLICATION, 19
 © COPYRIGHT 19 BY AMP INCORPORATED, HARRISBURG, PA. ALL INTERNATIONAL RIGHTS RESERVED. AMP PRODUCTS MAY BE COVERED BY U.S. AND FOREIGN PATENTS AND/OR PATENTS PENDING.

REVISIONS						
P	F	ZONE	LTR	DESCRIPTION	DATE	APPROVED
0	✓		0	RLSD	3-19-86	VS



554819-1

UNLESS OTHERWISE SPECIFIED DIMENSIONS ARE IN INCHES. TOLERANCES ON: DECIMALS ± .001 ANGLES ± .001		CONTRACT NO.		AMP INCORPORATED Harrisburg, Pa.	
MATERIAL STAINLESS STEEL		DR. <i>Victor E. Shust</i> 3/19/86		NAME CLIP, BAIL, SHORT, CHAMP	
FINISH PASSIVATED		CHK. <i>W. Clark</i> 3-21-86		DRAWING NO. 554819	
		APPD. <i>George Smith</i> 3-21-86		FSCM NO. 00779	
		APPD. <i>W. Clark</i> 3/21/86		SCALE 4:1	
		OTHER APPD.		SHEET 1 OF 1	

单击下面可查看定价，库存，交付和生命周期等信息

[>>TE Connectivity\(泰科\)](#)