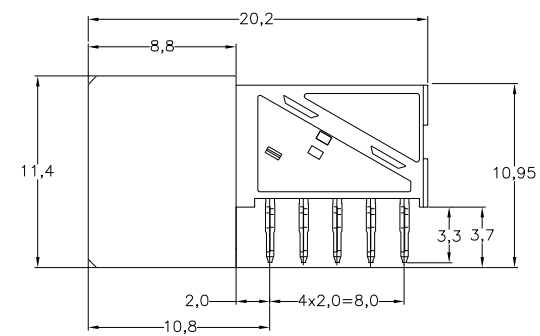
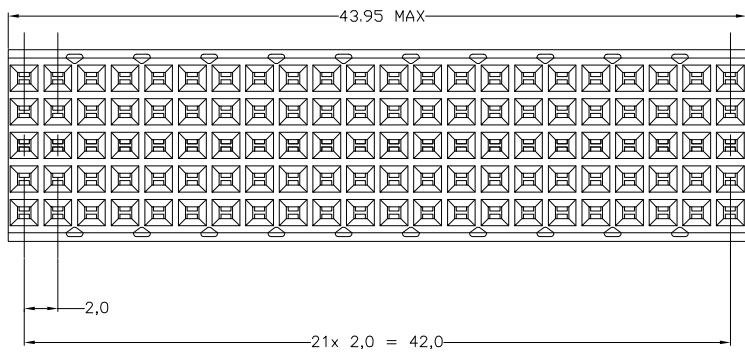
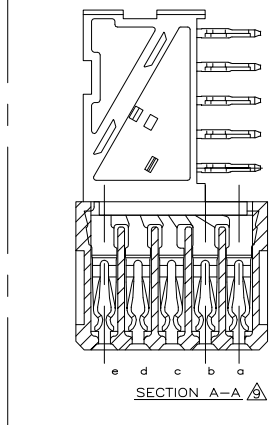
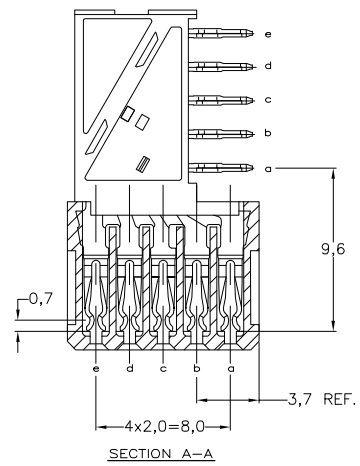
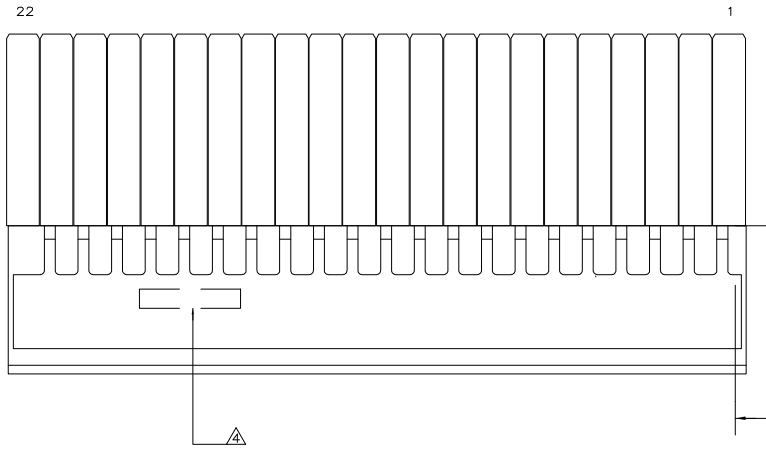
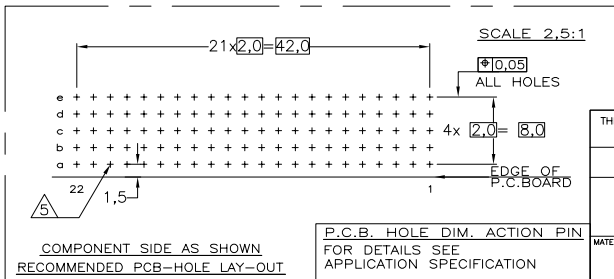


THIS DRAWING IS UNPUBLISHED.
 RELEASED FOR PUBLICATION
 © COPYRIGHT - By - ALL RIGHTS RESERVED.

LOC	DIST	REVISIONS					
ES	00	#	LR	DESCRIPTION	DATE	DWN	APVD
		A		INITIAL RELEASE	14AUG2012	SY	AC



- NOTES:
- ⚠ MATERIAL CONTACT; PHOSPHORBRONZE
MATERIAL HOUSING; GLASSFILLED POLYESTER (GRAY)
UL-RATING 94V0.
 - ⚠ GENERAL PLATING SPECIFICATION: UNDERPLATING (ENTIRE CONTACT):
1,27µm NICKEL MIN. AND ACTION PIN: 0,5µm TIN-LEAD MIN.
FOR PLATING OF MATING SURFACES SEE APPLICABLE SPECIFICATION
REFERENCE FOR EACH DASH NUMBER.
 - ⚠ CONFORMS TO ALL TESTING ACCORDING IEC 61076-4-101
PERFORMANCE LEVEL 1.
 - ⚠ CONNECTOR PRINTED WITH PARTNUMBER AND DATECODE
 - ⚠ PLATED-THROUGH HOLES AT 2x2mm SQUARE GRID. 110 HOLES
 - 6 FITS WITH INTEGRATED GROUND RETURN UPPERSHIELD
BASIC P.N. 352151
 - ⚠ CONNECTOR TESTED AND QUALIFIED AGAINST TELCORDIA
GR-1217-CORE QUALITY LEVEL III, CENTRAL OFFICE APPLICATIONS.
1,27µm MIN GOLD PLATING AT MATING SURFACES, NO LUBRICANT.
 - ⚠ CONNECTOR ASSEMBLED WITH ALTERNATE FEMALE CONTACTS.



THIS DRAWING IS A CONTROLLED DOCUMENT.

DIMENSIONS:	TO TOLERANCES UNLESS OTHERWISE SPECIFIED.
mm	
0 PLC	± 0,2
1 PLC	± 0,2
2 PLC	± 0,2
3 PLC	± 0,2
4 PLC	± 0,2
ANGLES	±
MATERIAL	FINISH
-	-

FINISH	MATERIAL	PARTNUMBER
		2170350-5
TE Connectivity		
DWN SANDERS YAN 28MAY2012 CHK - APVD ALEX CAI 28MAY2012 PRODUCT SPEC NAME 108-19082 APPLICATION SPEC 114-19029		
Z-PACK 2MM HM 110 POS. FEMALE DAUGHTER CARD CONN. (22 COLUMNS)		RESTRICTED TO
SIZE	CAGE CODE	DRAWING NO
A2	00779	C=2170350
CUSTOMER DRAWING		
SCALE	SHEET	REV
NTS	1 of 1	A

单击下面可查看定价，库存，交付和生命周期等信息

[>>TE Connectivity\(泰科\)](#)