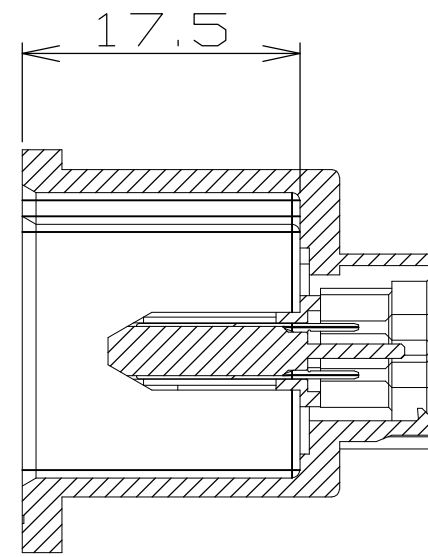
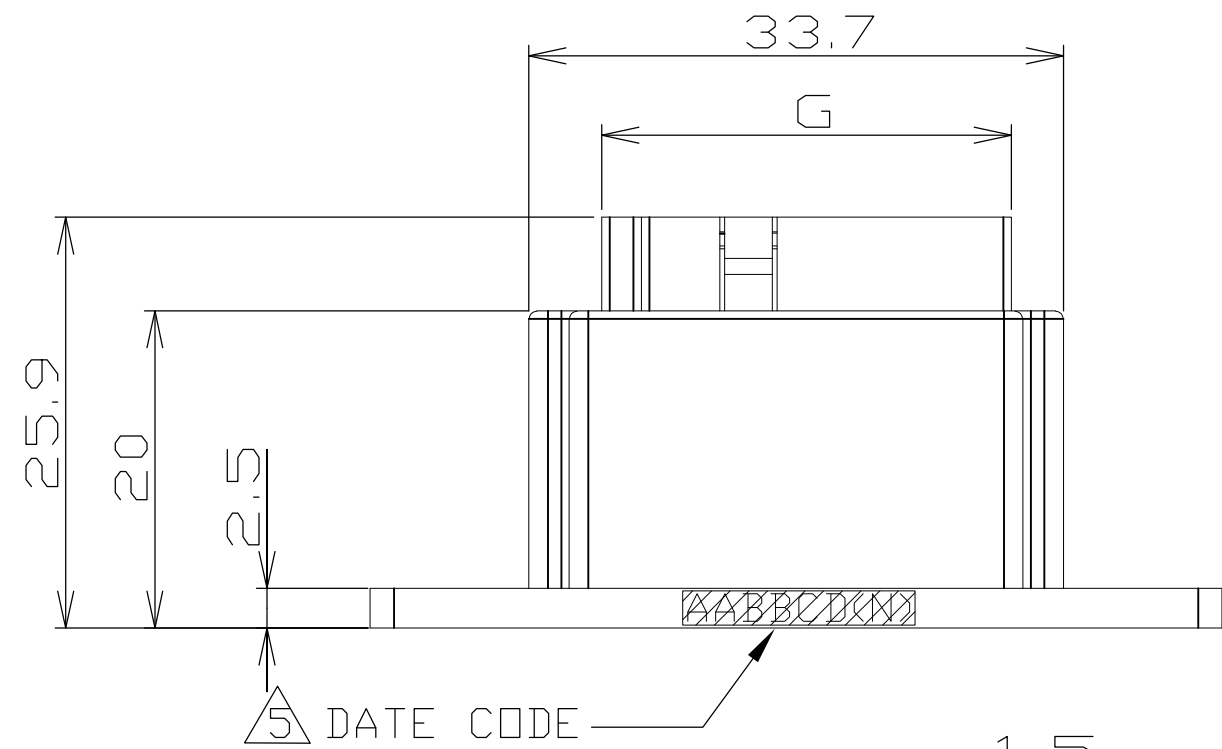
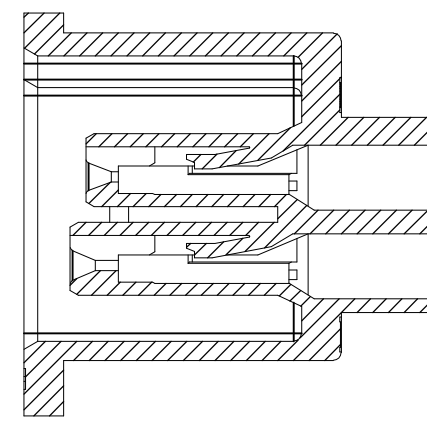
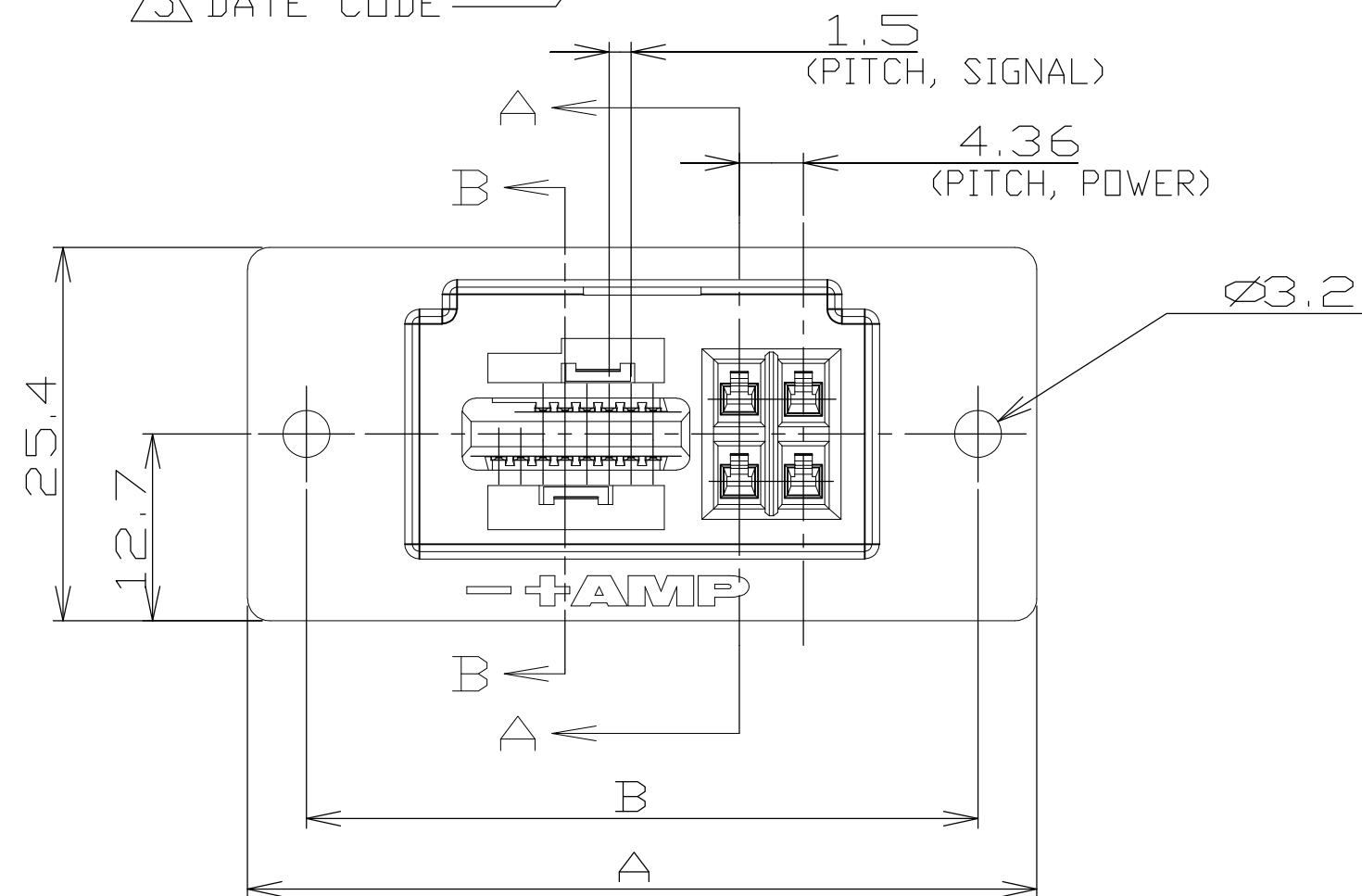


THIS DRAWING IS UNPUBLISHED. RELEASED FOR PUBLICATION
 © COPYRIGHT BY TYCO ELECTRONICS CORPORATION. ALL RIGHTS RESERVED.

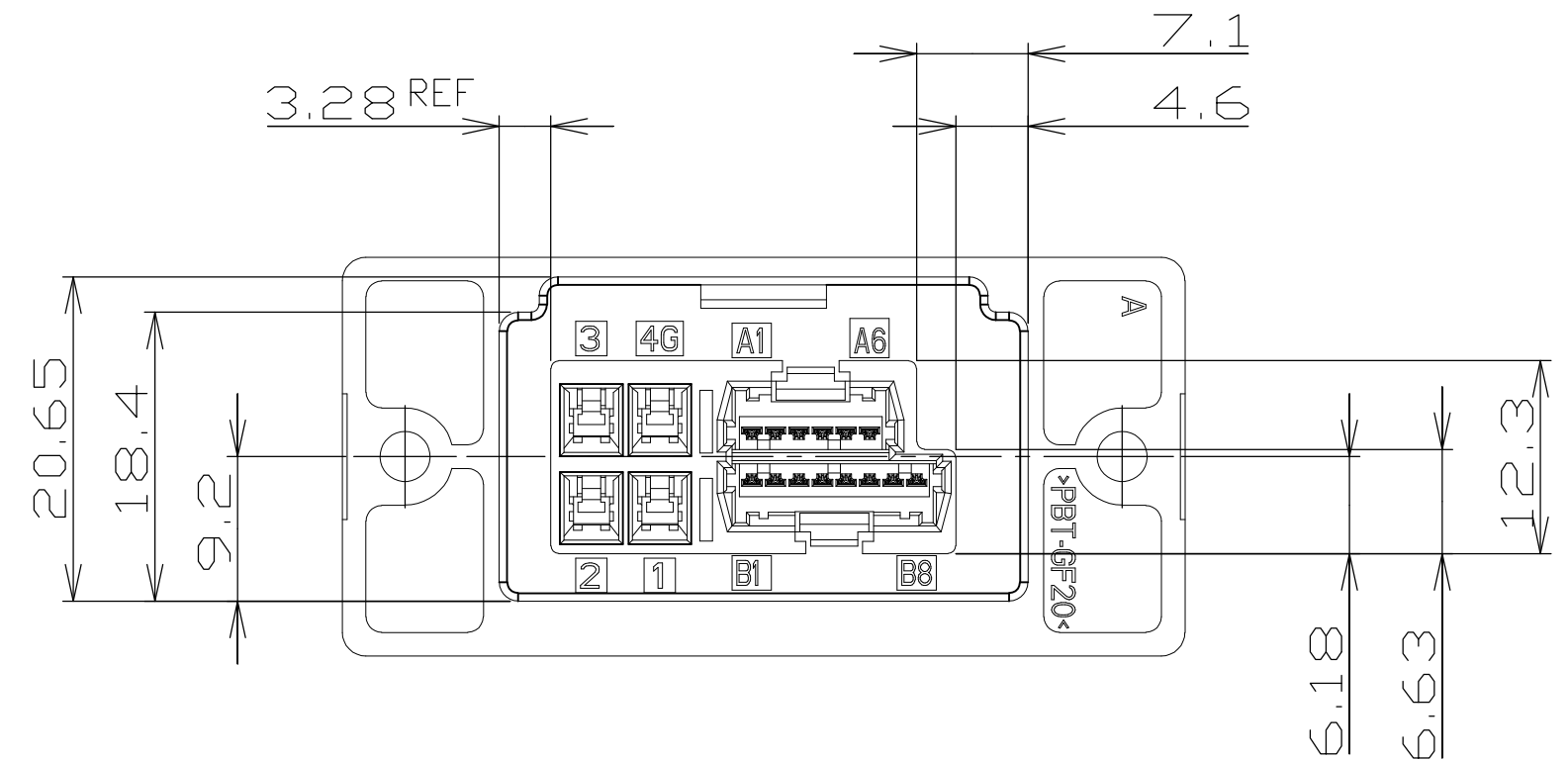
LOC		DIST		REVISIONS			
P	LTR	DESCRIPTION		DATE	DWN	APVD	
B1		REVISED ECR-07-028230		26NOV07	A,L	S,Y	



SECT B-B



SECT A-A



NOTES:
 ① USE WITH: MT REC CONN P/N: X-353293-X
 CRIMP HSG P/N: X-353908-X
 CRIMP CONT P/N: 353907-1
 353918-1(L/P)

② USE WITH POWER CONTACT P/N: 1123907-1 (NOT ASSEMBLED WHEN SHIPPED)

③ MATERIAL:
 HOUSING: GLASS FILLED THERMOPLASTIC, UL94V-0, GRAY
 SIGNAL CONTACT: BRASS
 FINISH (SIGNAL CONTACT):
 NICKEL UNDERPLATE ALL OVER
 LATTICE MATING AREA: GOLD PLATE
 MINI CT MATING AREA: MATTE TIN PLATE

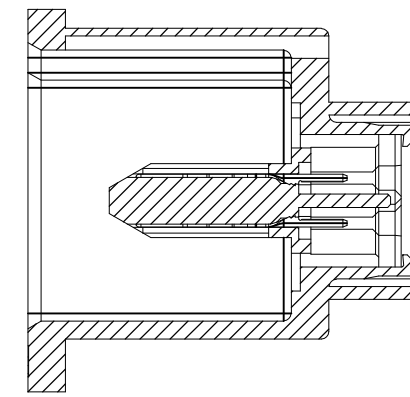
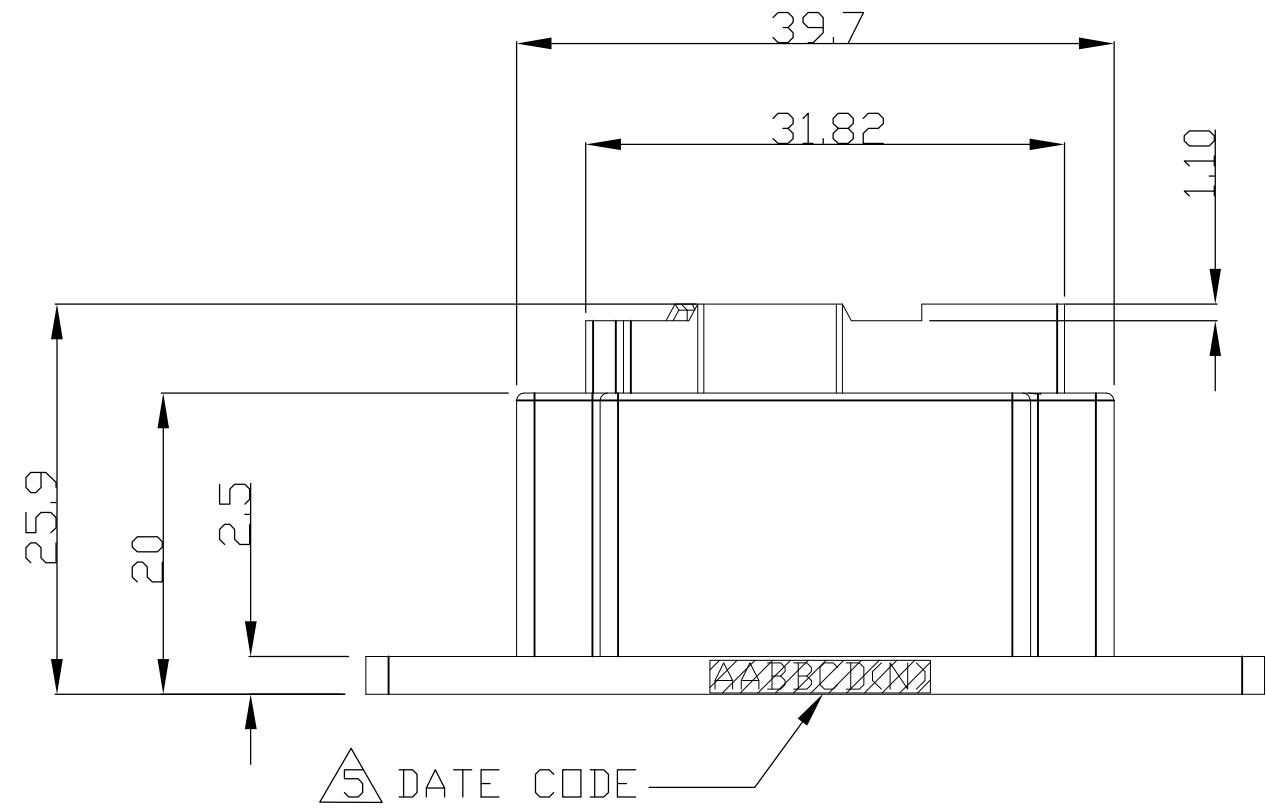
④ LOCATION OF DATE CODE: AABBCD(N)
 (AA: YEAR, BB: WEEK, C: DAY OF WEEK, D: DAYTIME, N: NIGHT)

11.3	25.82	3.75	4.25	34.7	33.7	45.7	53.7	C	14(6+8)	4	5-292246-4
11.3	25.82	3.75	4.25	34.7	33.7	45.7	53.7	B	14(6+8)	4	3-292246-4
11.3	25.82	2.05	2.55	34.7	33.7	45.7	53.7	A	14(6+8)	4	1-292246-4
WEIGHT (g)	G	F	E	D	C	B	A	KEY TYPE	SIGNAL	POWER	PART NUMBER

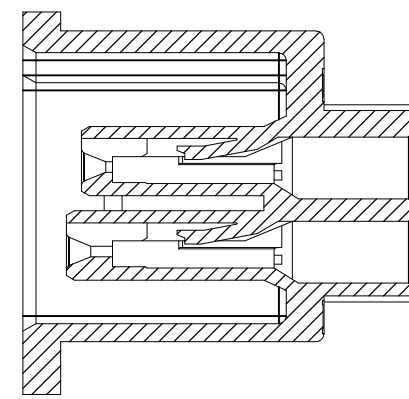
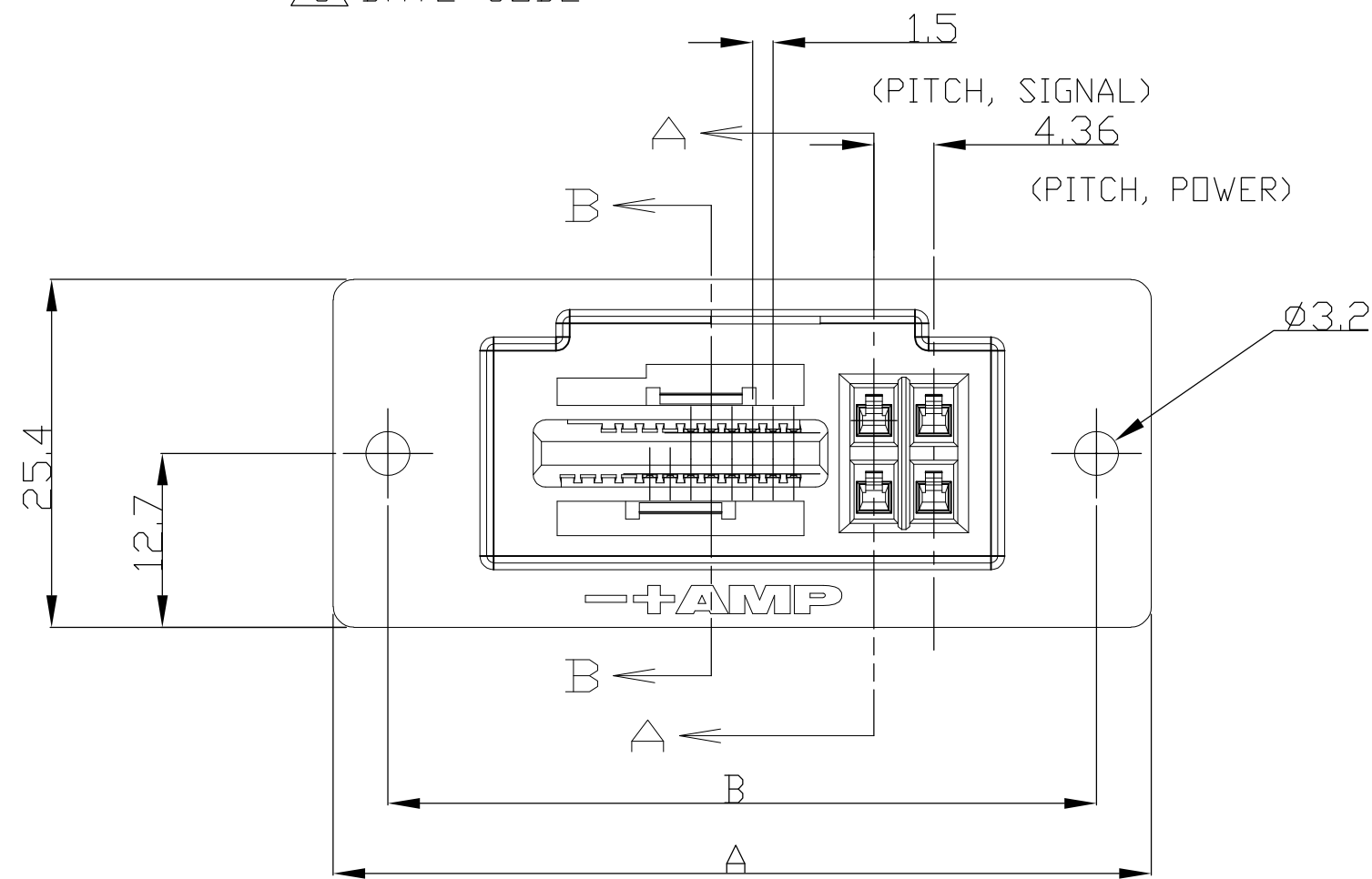
THIS DRAWING IS A CONTROLLED DOCUMENT.		DWN J.JIANG 05FEB03	Tyco Electronics Corporation Shanghai, PRC 200233	
DIMENSIONS: mm	TOLERANCES UNLESS OTHERWISE SPECIFIED:	CHK S.Y 05FEB03	NAME RECEPTACLE ASSEMBLY FOR AMP 1.5 PITCH MINI CT HYBRID LATTICE CONNECTOR	
	0 PLC ± - 1 PLC ± - 2 PLC ± - 3 PLC ± - 4 PLC ± - ANGLES ± -	APVD T.SASAKI 05FEB03	PRODUCT SPEC 108-60028	
MATERIAL SEE NOTE	FINISH SEE NOTE	APPLICATION SPEC 114-5256	SIZE A2	CAGE CODE 00779
		WEIGHT	DRAWING NO C=292246	RESTRICTED TO -
		CUSTOMER DRAWING	SCALE NTS	SHEET 1 OF 3
			REV B1	

THIS DRAWING IS UNPUBLISHED. RELEASED FOR PUBLICATION
 © COPYRIGHT BY TYCO ELECTRONICS CORPORATION. ALL RIGHTS RESERVED.

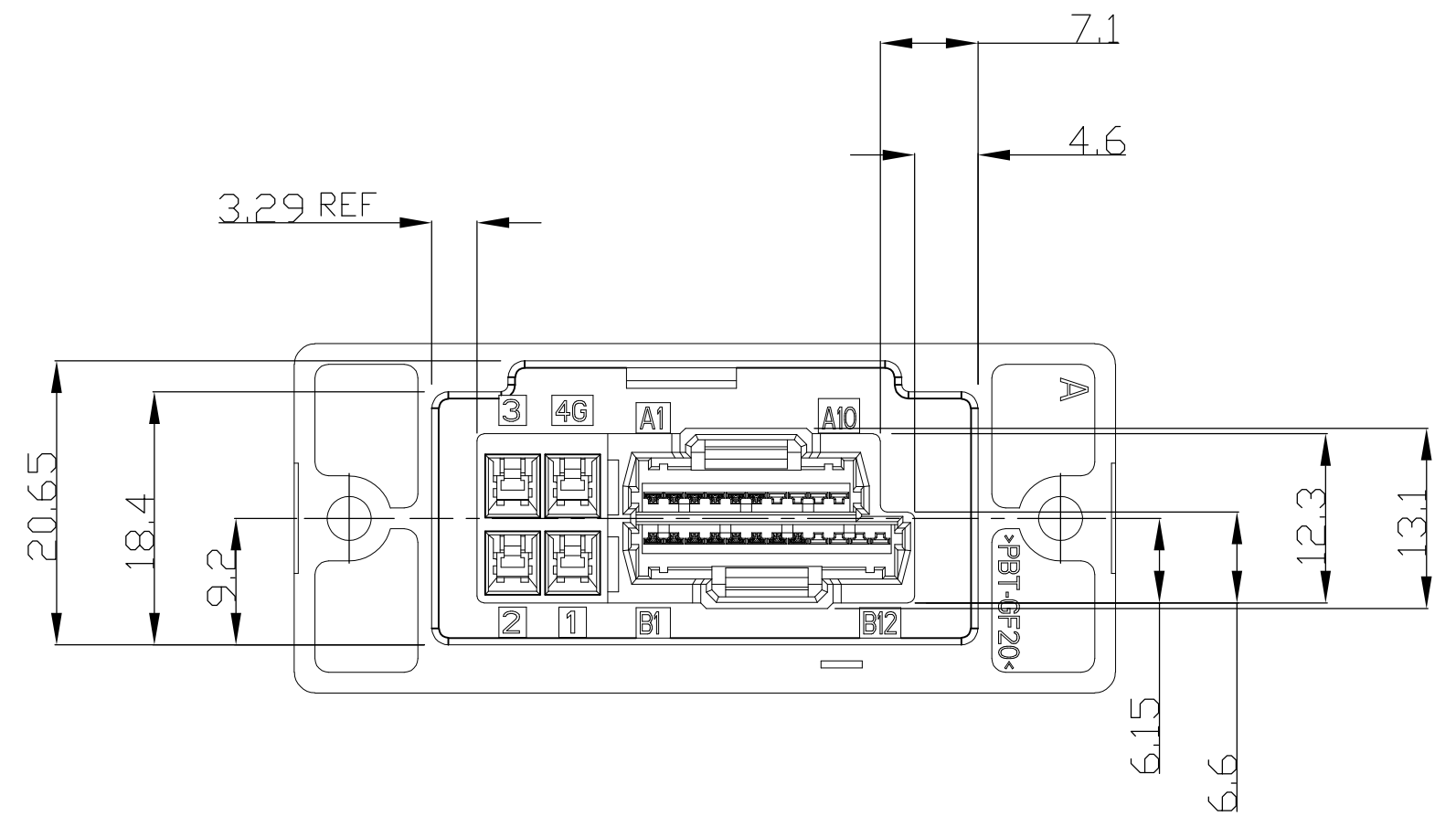
LOC		DIST		REVISIONS			
P	LTR	DESCRIPTION	DATE	DWN	APVD		
-	-	SEE SHEET 1	-	-	-	-	-



SECT B-B



SECT A-A



NOTES:

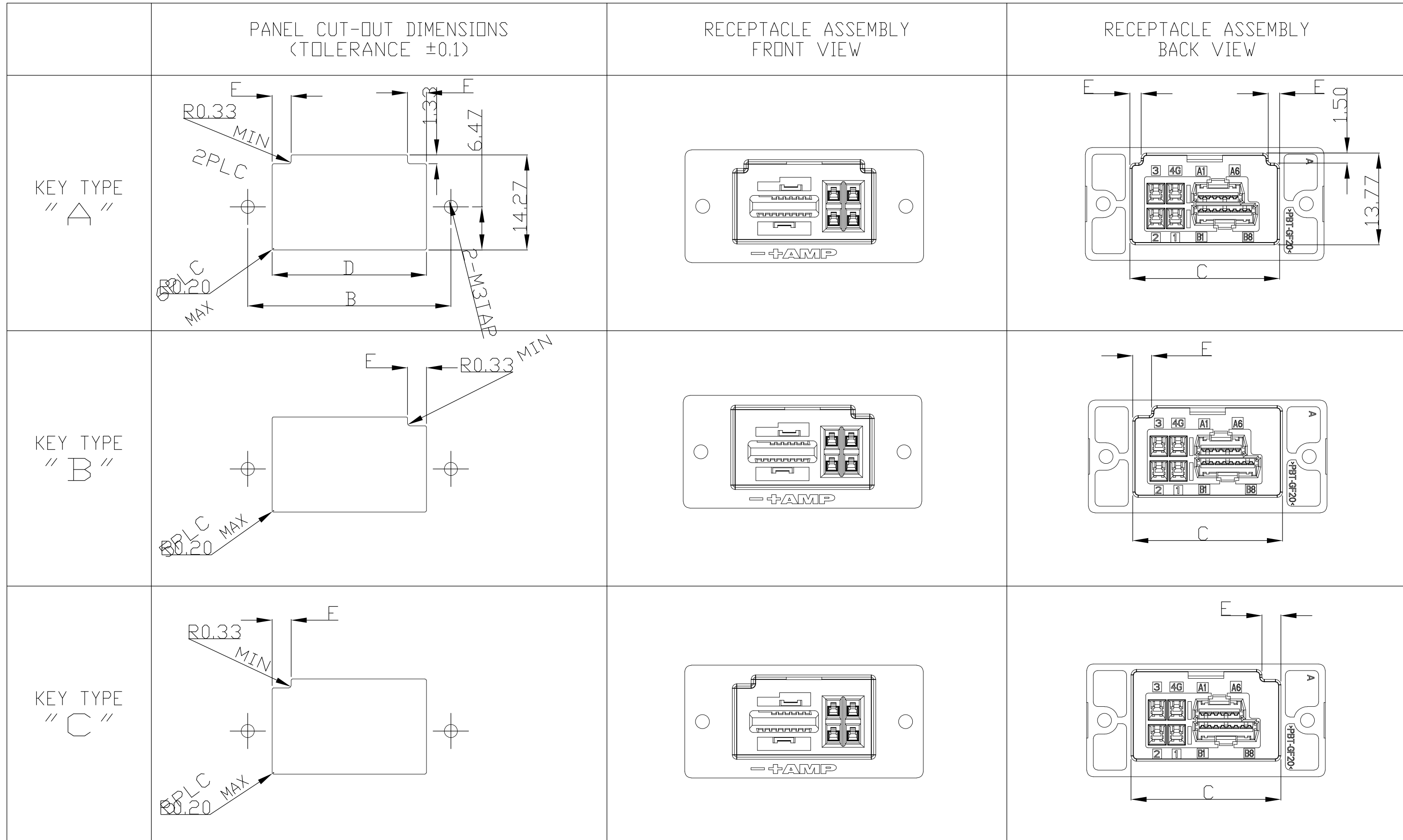
- ① USE WITHMT REC CONN P/N: X-353293-X
 CRIMP HSG P/N: X-353908-X
 CRIMP CNT P/N: 353907-1
 353918-1(L/P)
- ② USE WITH POWER CONTACT P/N:1123907-1(NOT ASSEMBLED WHEN SHIPPED)
- ③ MATERIAL:
 HOUSING :GLASS FILLED THERMOPLASTIC,UL94V-0,GRAY
 SIGNAL CONTACT:BRASS
- ④ FINISH (SIGNAL CONTACT):
 NICKEL UNDERPLATE ALL OVER
 LATTICE MATING AREA:GOLD PLATE
 MINI CT MATING AREA: MATTE TIN PLATE
- ⑤ LOCATION OF DATE CODE: AABBCD(N)
 (AA: YEAR, BB: WEEK, C: DAY OF WEEK, D: DAYTIME, N: NIGHT)

13.0	31.82	6.75	7.25	40.7	39.7	51.7	59.7	C	22(10+12)	4	6-292246-2
13.0	31.82	6.75	7.25	40.7	39.7	51.7	59.7	B	22(10+12)	4	4-292246-2
13.0	31.82	5.05	5.55	40.7	39.7	51.7	59.7	A	22(10+12)	4	2-292246-2
WEIGHT (g)	G	F	E	D	C	B	A	KEY TYPE	SIGNAL POSITION	POWER SIZE	PART NUMBER

THIS DRAWING IS A CONTROLLED DOCUMENT.		DWN	-	Tyco Electronics Corporation Shanghai ,PRC 200233	
DIMENSIONS: mm	TOLERANCES UNLESS OTHERWISE SPECIFIED:	CHK	-	NAME	
0 PLC	±	APVD	-	PRODUCT SPEC	
1 PLC	±	APPLICATION SPEC	-	SIZE	
2 PLC	±	WEIGHT	-	CAGE CODE	
3 PLC	±	CUSTOMER DRAWING	-	DRAWING NO	
4 PLC	±	SCALE	NTS	SHEET 2 of 3	
ANGLES	±	REV	B1	RESTRICTED TO	
FINISH	±			RECEPTACLE ASSEMBLY FOR AMP 1.5 PITCH MINI CT HYBRID LATTICE CONNECTOR	

THIS DRAWING IS UNPUBLISHED. RELEASED FOR PUBLICATION
 © COPYRIGHT BY TYCO ELECTRONICS CORPORATION. ALL RIGHTS RESERVED.

REVISIONS				DATE	DWN	APVD
P	LTR	DESCRIPTION				
-	-	SEE SHEET 1	-	-	-	-



THIS DRAWING IS A CONTROLLED DOCUMENT.		DWN	-	Tyco Electronics Corporation		Shanghai ,PRC 200233	
DIMENSIONS: mm		CHK	-	NAME			
TOLERANCES UNLESS OTHERWISE SPECIFIED:		APVD	-	RECEPTACLE ASSEMBLY FOR AMP 1.5 PITCH MINI CT HYBRID LATTICE CONNECTOR			
0 PLC ± -		PRODUCT SPEC	-	SIZE	CAGE CODE	DRAWING NO	RESTRICTED TO
1 PLC ± -		APPLICATION SPEC	-	A2	00779	C=292246	-
2 PLC ± -		WEIGHT	-	CUSTOMER DRAWING			
3 PLC ± -		FINISH	-	SCALE	SHEET	REV	
4 PLC ± -				NTS	3 OF 3	B1	
ANGLES ± -							

292246

单击下面可查看定价，库存，交付和生命周期等信息

[>>TE Connectivity\(泰科\)](#)