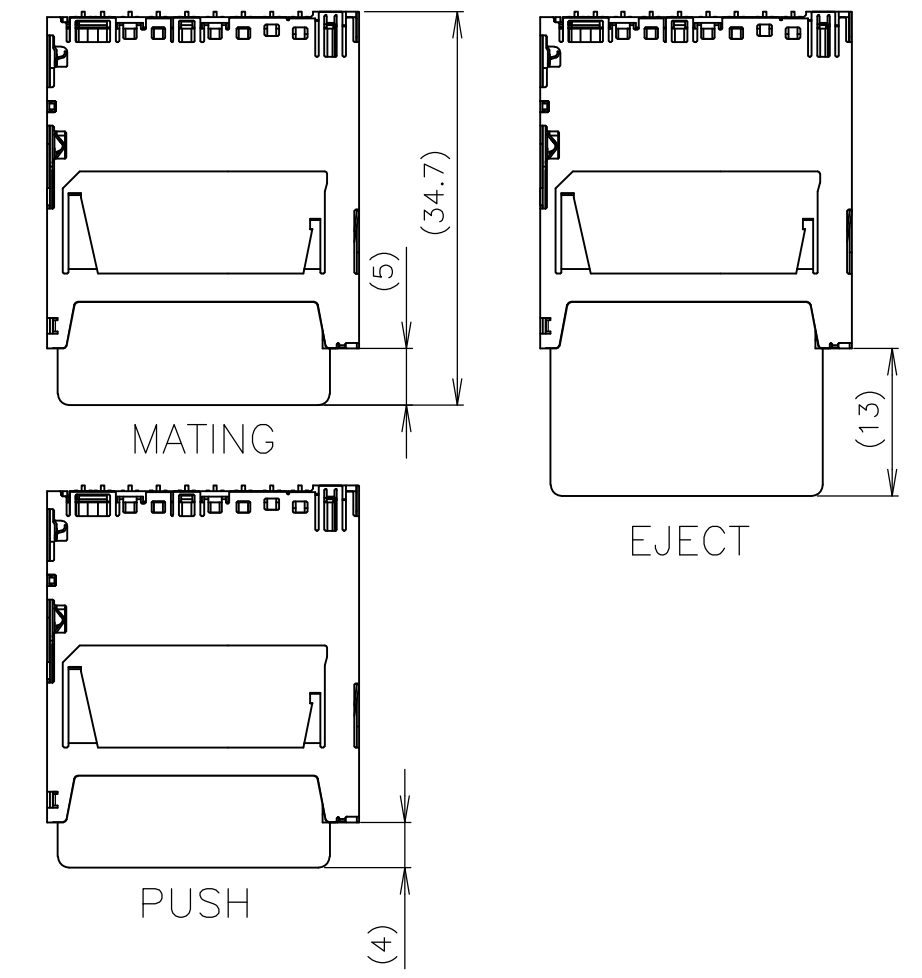
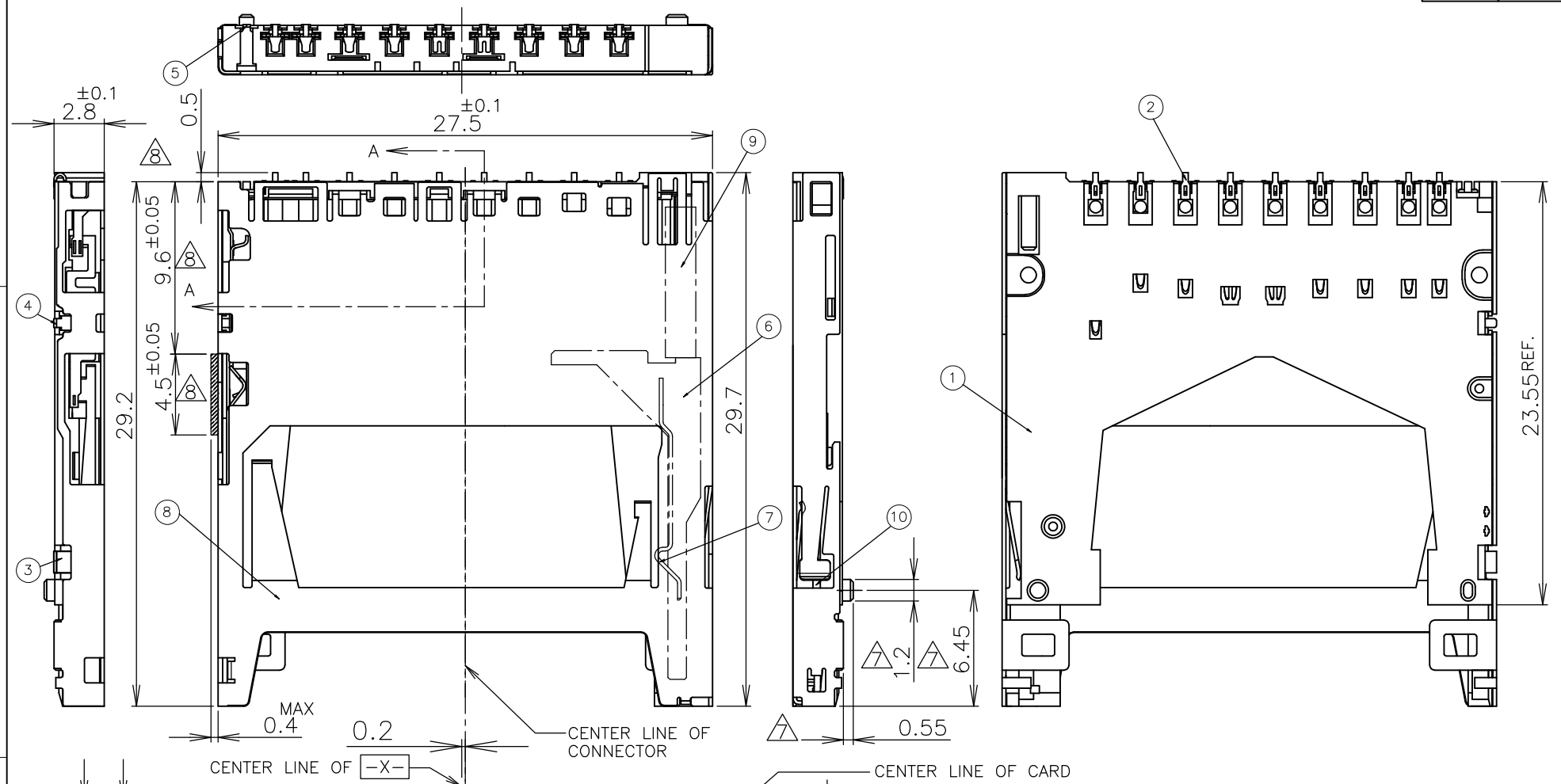


THIS DRAWING IS UNPUBLISHED. RELEASED FOR PUBLICATION MAR , 2003.
 © COPYRIGHT 2004 By Tyco Electronics JAPAN G.K. ALL RIGHTS RESERVED.

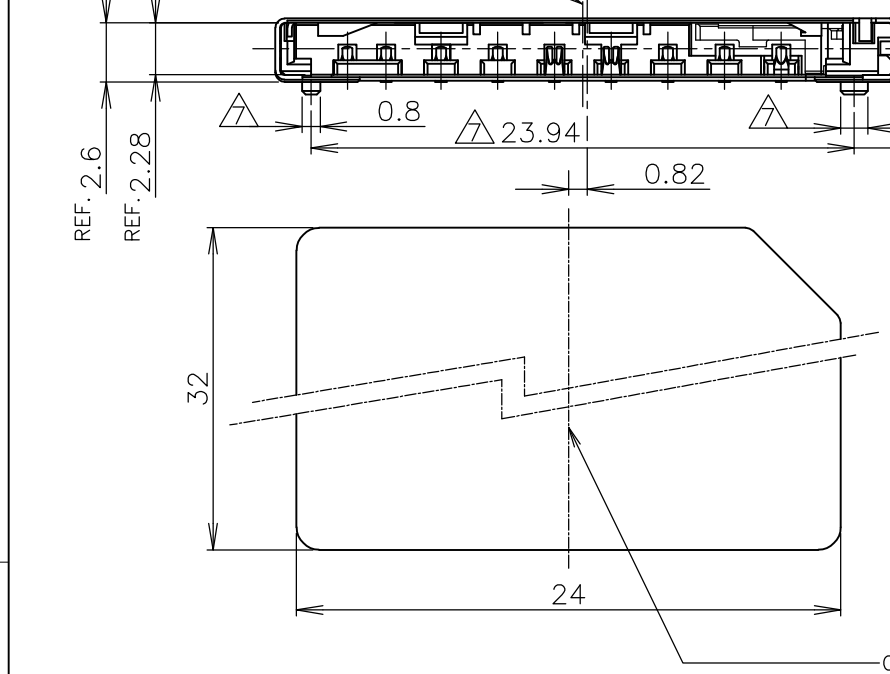
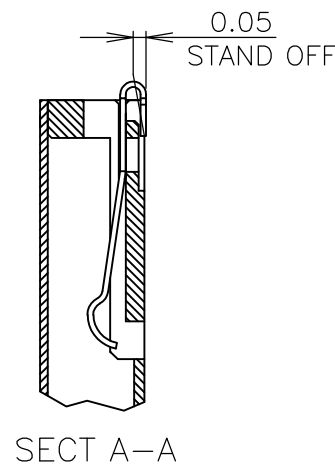
LOC	DIST	REVISIONS					
J	/	P	LTR	DESCRIPTION	DATE	DWN	APVD
		D		REVISED	23JUN2014	J.T	K.K



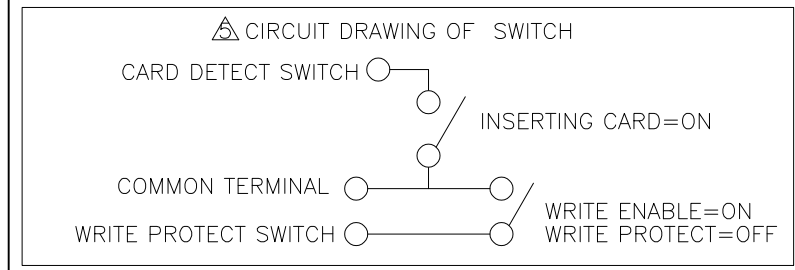
CARD LOCATION WHEN OPERATING

ITEM	DESCRIPTION	MATERIAL	FINISH	QTY
⑩	CAM ROD	SUS	-	1
⑨	COIL SPRING	SWP	-	1
⑧	SHELL	COPPER ALLOY	TIN PLATE	1
⑦	HOOK SPRING	SUS	-	1
⑥	SLIDER	THERMOPLASTIC	-	1
⑤	SWITCH C	COPPER ALLOY	Au ON CONTACT AREA OVER Ni AND Sn ON SOLDER TINE OVER Ni.	1
④	SWITCH B	COPPER ALLOY	Au ON CONTACT AREA AND SOLDER TINE OVER Ni.	1
③	SWITCH A	COPPER ALLOY	Au ON CONTACT AREA OVER Ni AND Sn ON SOLDER TINE OVER Ni.	1
②	CONTACT	COPPER ALLOY	Au ON CONTACT AREA OVER Ni AND Sn ON SOLDER TINE OVER Ni.	1
①	HOUSING	THERMOPLASTIC	-	1
		⑨ MATERIAL	⑨ FINISH	QTY

- △ PAD FOR CARD DETECT SWITCH
- △ PAD FOR COMMON TERMINAL
- △ PAD FOR WRITE PROTECT SWITCH
- 4 THE SEQUENCE OF CONTACT DURING CARD INSERTION
 PIN #3,4 — PIN #2,5,6,7,8,9
 CARD DETECT SWITCH — PIN #1 ←
- △ CIRCUIT DRAWING OF SWITCH
- 6 DON'T WASH BY IMMERSING THE CONNECTOR IN FLUID
- △ NO APPLIED TO WITHOUT BOSS TYPE.
- △ SWITCH MOVING AREA
- △ REFER TO THE TABLE FOR MATERIAL AND FINISH.
- 10 COPLANNARITY:0.1MAX.
- 11 PLEASE MOUNT THE SAMPLE AND CONFIRM THE PRESENCE OF TROUBLE.
- 12 ADAPTABLE CARD : SD CARD IN ACCORDANCE WITH STANDARD OF SDA.



CENTER LINE OF CARD
-1, -2 : AS SHOWN



IMPOSSIBLE	WITHOUT	1939115-4
IMPOSSIBLE	WITH	1939115-3
POSSIBLE	WITHOUT	1939115-2
POSSIBLE	WITH	1939115-1
REVERSE REFLOW 逆きリフロー	BOSS	PART NUMBER

THIS DRAWING IS A CONTROLLED DOCUMENT.

DWN	T.AOKI	24OCT2005
CHK	Y.UCHIKAWA	24OCT2005
APVD	T.KUSUHARA	24OCT2005

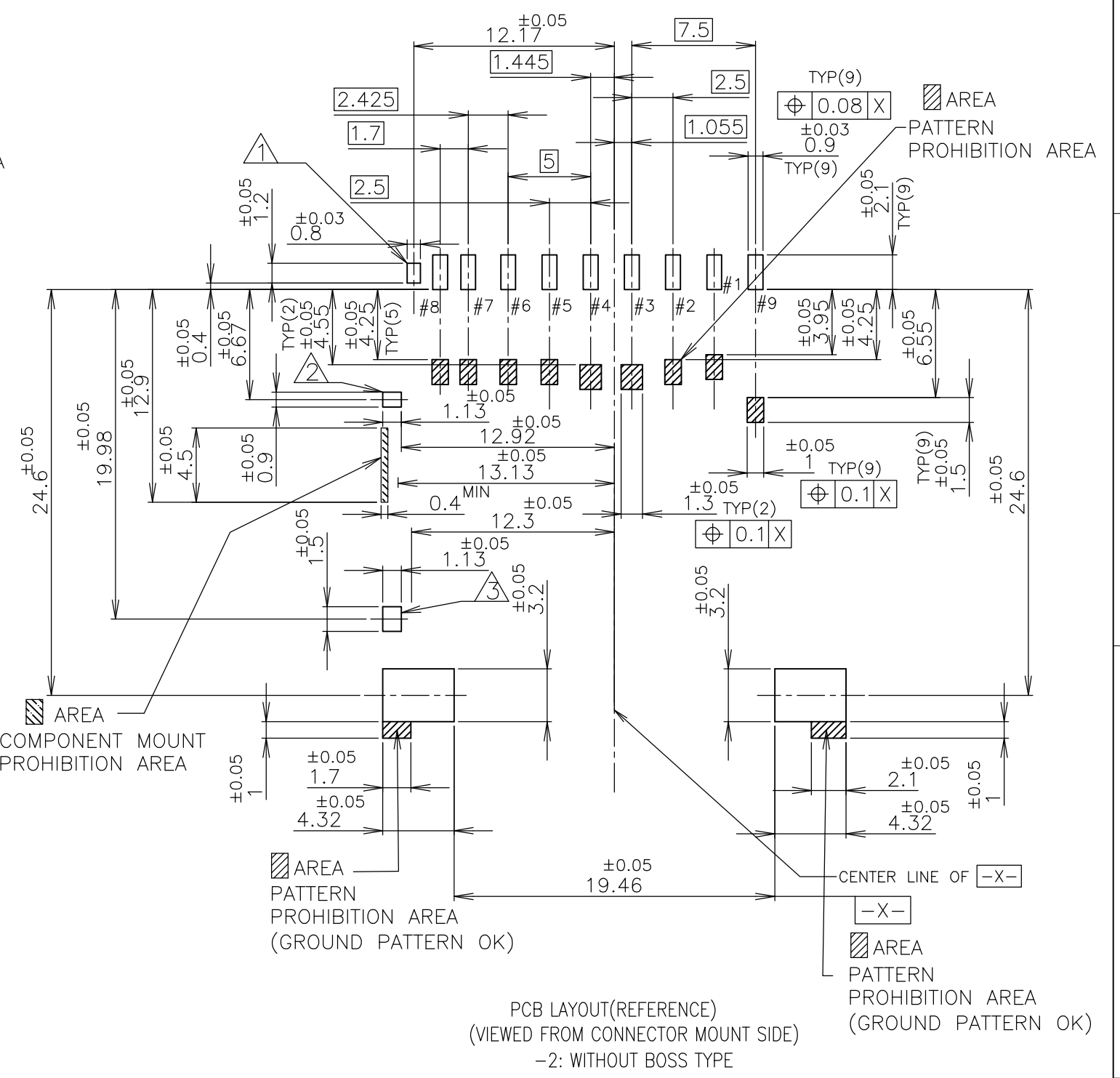
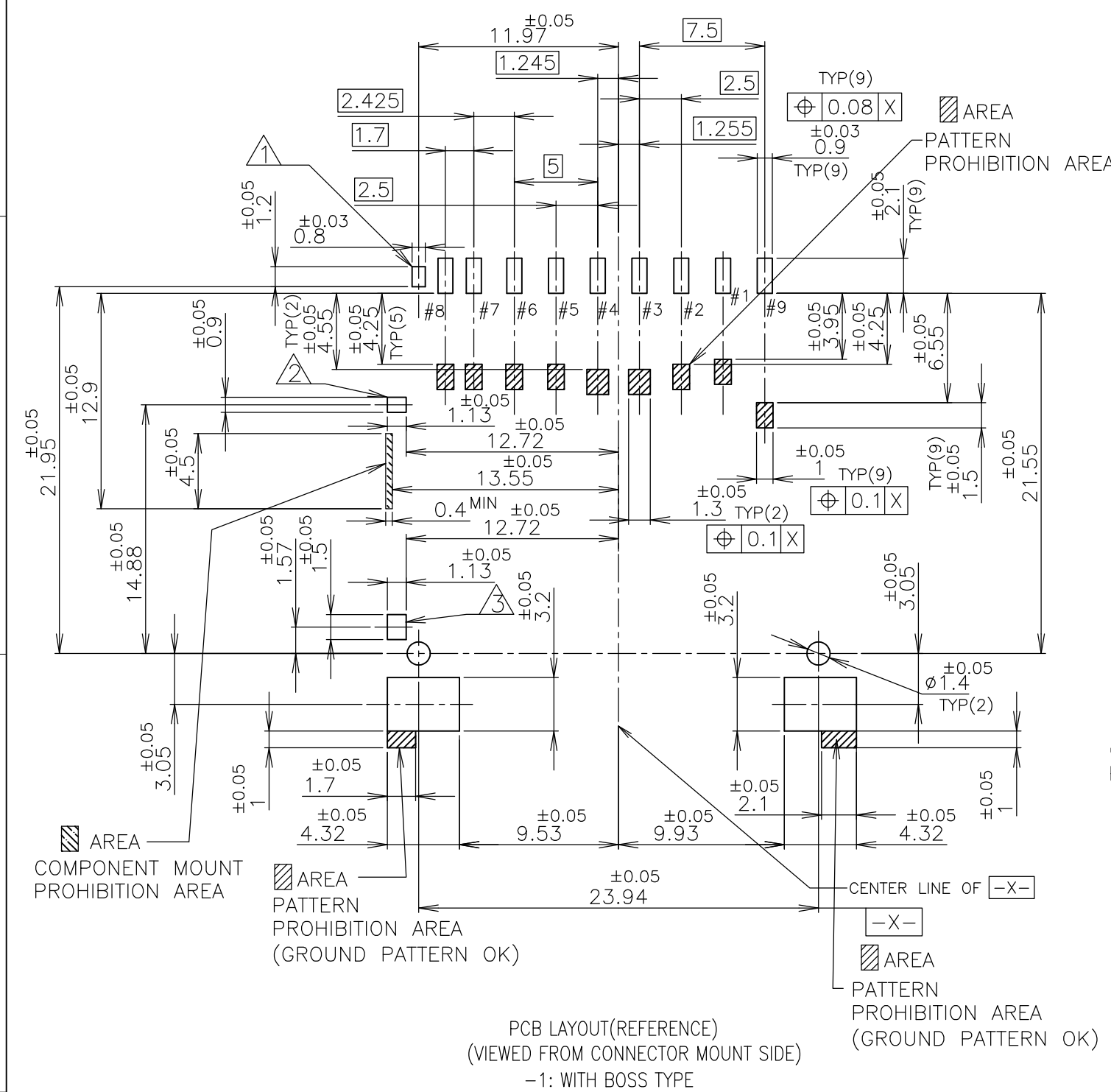
NAME: SD MEMORY CARD CONNECTOR PUSH PUSH TYPE

SIZE	CAGE CODE	DRAWING NO	RESTRICTED TO
A3	00779	C-1939115	-

CUSTOMER DRAWING SCALE: 3:1 SHEET: 1 OF 6 REV: D

THIS DRAWING IS UNPUBLISHED. RELEASED FOR PUBLICATION MAR ,2003.
 © COPYRIGHT 2004 By Tyco Electronics JAPAN G.K. ALL RIGHTS RESERVED.

LOC	DIST	REVISIONS		
		P	LTR	DESCRIPTION
J	/	-	-	SEE SHEET 1
				DATE
				DWN
				APVD



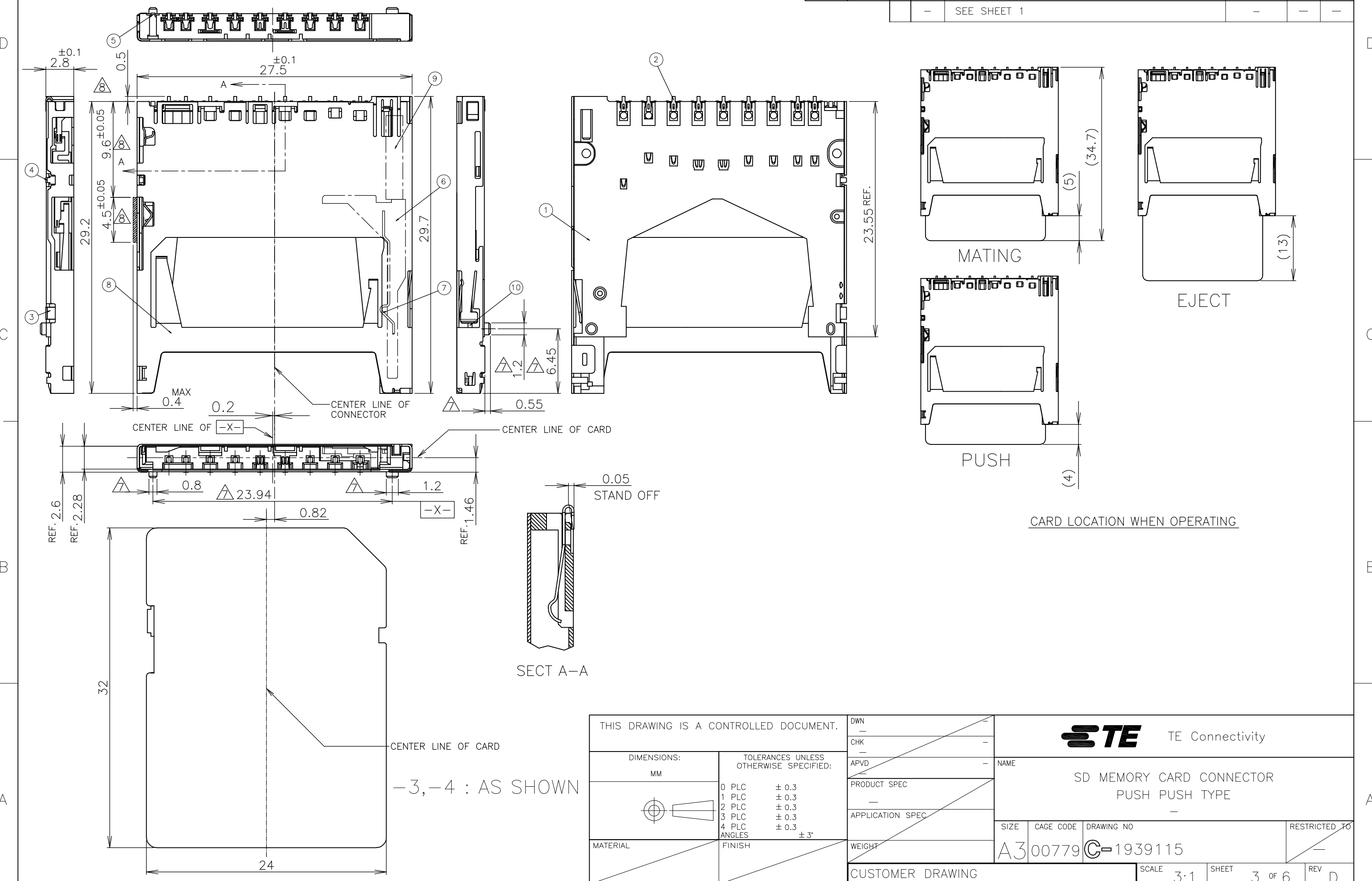
- ▲ カード認識スイッチ用パッド
- ▲ コモン端子用パッド
- ▲ ライトプロテクトスイッチ用パッド
- 4 カード挿入時の接触の順番
PIN #3,4 — PIN #2,5,6,7,8,9
カード認識スイッチ — PIN #1
- ▲ スwitchの回路図
- 6 本製品は浸漬による洗浄は行わないこと。
- ▲ ボス無しタイプには、適用なし。
- ▲ スwitch可動エリア
- ▲ 材料&仕上げはテーブルを参照のこと。
- 10 コプラナリティ: 0.1mm以下。

11 サンプルを実装して不具合の有無を確認して下さい。
 12 適応カード: SDAの規格に準拠したSDカード

THIS DRAWING IS A CONTROLLED DOCUMENT.		DWN		TE Connectivity	
DIMENSIONS: MM		CHK			
TOLERANCES UNLESS OTHERWISE SPECIFIED:		APVD		NAME	
0 PLC ± 0.3		PRODUCT SPEC		SD MEMORY CARD CONNECTOR	
1 PLC ± 0.3		APPLICATION SPEC		PUSH PUSH TYPE	
2 PLC ± 0.3		SIZE		RESTRICTED TO	
3 PLC ± 0.3		CAGE CODE		-	
4 PLC ± 0.3		DRAWING NO		-	
ANGLES ± 3'		A300779		-	
FINISH		G-1939115		-	
MATERIAL		CUSTOMER DRAWING		-	
		SCALE 3:1		SHEET 2 OF 6	
				REV D	

THIS DRAWING IS UNPUBLISHED. RELEASED FOR PUBLICATION MAR , 2003.
 © COPYRIGHT 2004 By Tyco Electronics JAPAN G.K. ALL RIGHTS RESERVED.

LOC	DIST	REVISIONS				
P	LTR	DESCRIPTION	DATE	DWN	APVD	
J	/	SEE SHEET 1	-	-	-	



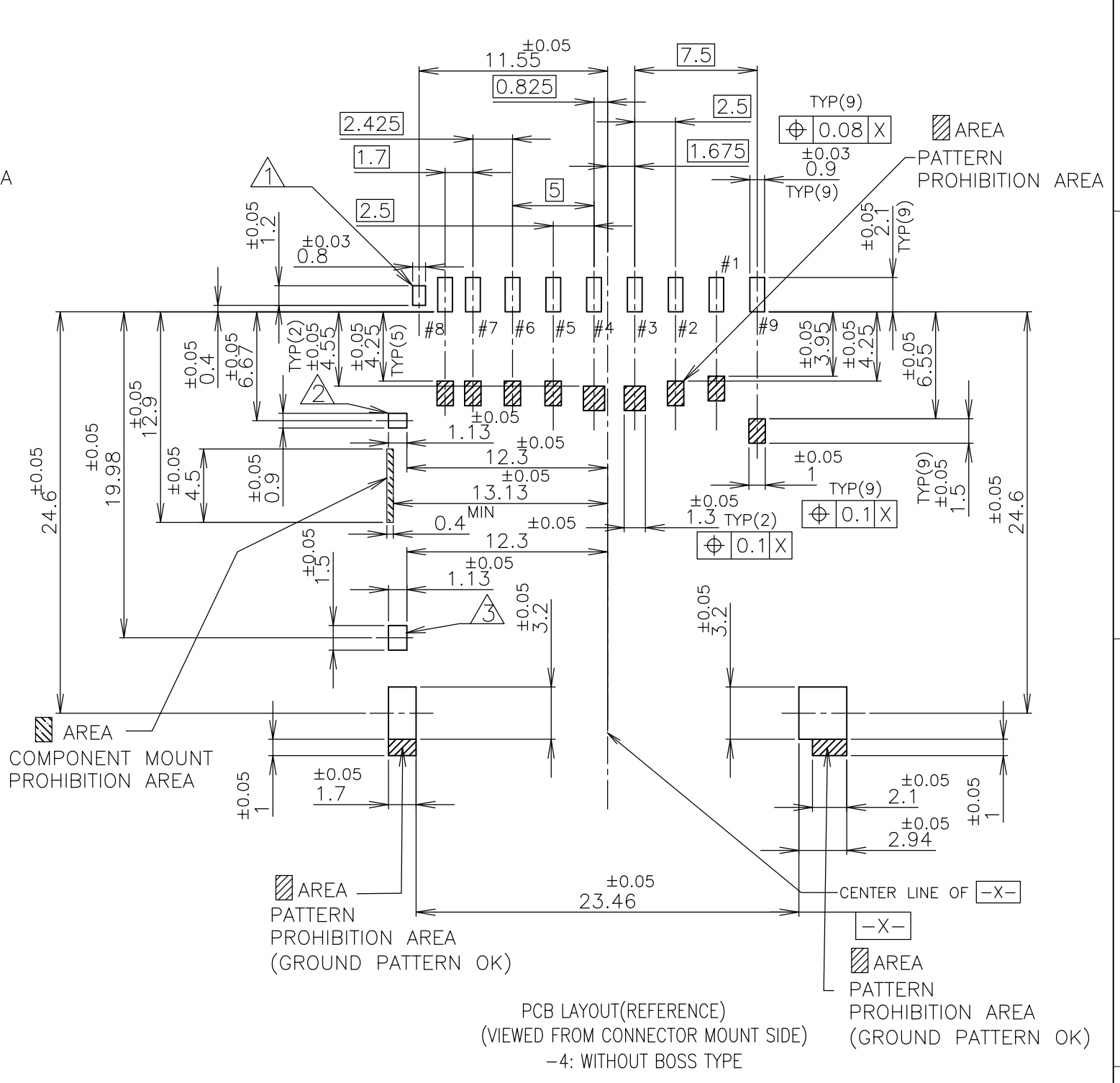
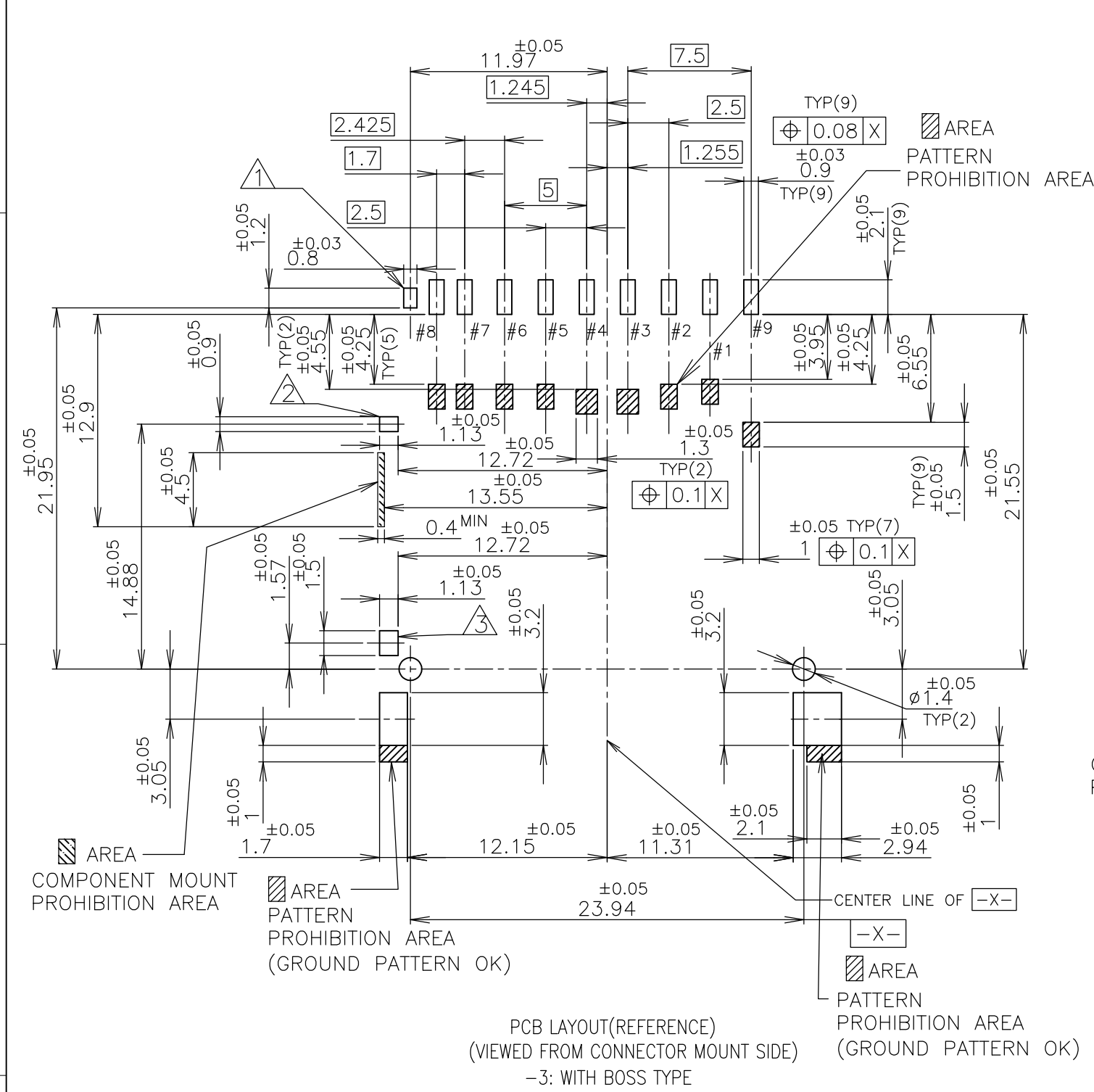
THIS DRAWING IS A CONTROLLED DOCUMENT.		DWN		-	
DIMENSIONS: MM		CHK		-	
TOLERANCES UNLESS OTHERWISE SPECIFIED:		APVD		-	
0 PLC	± 0.3	PRODUCT SPEC		-	
1 PLC	± 0.3	APPLICATION SPEC		-	
2 PLC	± 0.3	WEIGHT		-	
3 PLC	± 0.3	SIZE		A3	
4 PLC	± 0.3	CAGE CODE		00779	
ANGLES	± 3'	DRAWING NO		C-1939115	
FINISH		RESTRICTED TO		-	
MATERIAL		CUSTOMER DRAWING		SCALE 3:1	
		SHEET 3 OF 6		REV D	



SD MEMORY CARD CONNECTOR
 PUSH PUSH TYPE

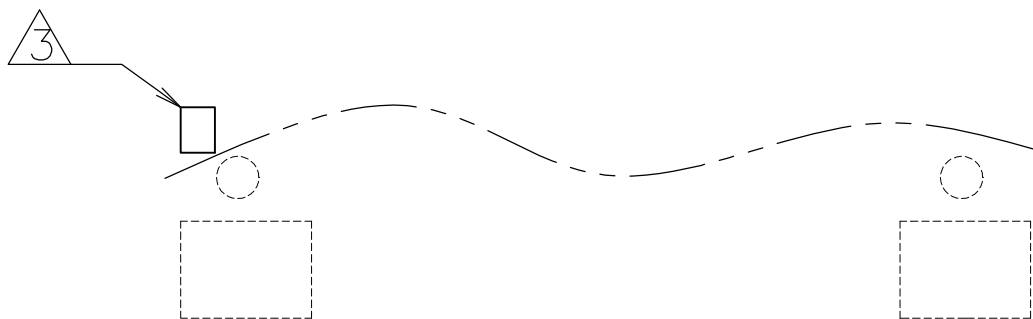
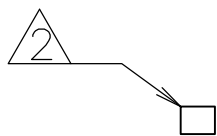
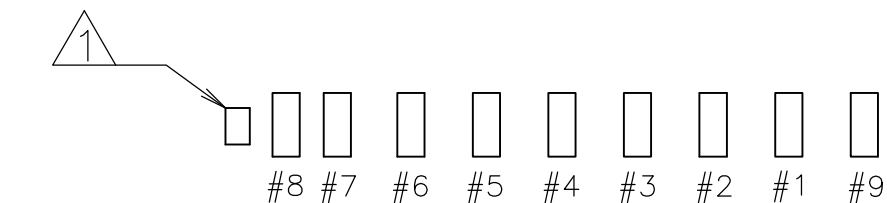
THIS DRAWING IS UNPUBLISHED. RELEASED FOR PUBLICATION MAR , 2003.
 © COPYRIGHT 2004 By Tyco Electronics JAPAN G.K. ALL RIGHTS RESERVED.

LOC	DIST	REVISIONS					
		P	LTR	DESCRIPTION	DATE	DWN	APVD
J	/	-	-	SEE SHEET 1	-	-	-



THIS DRAWING IS A CONTROLLED DOCUMENT.		DWN	-	STE TE Connectivity	
DIMENSIONS: MM		CHK	-		
TOLERANCES UNLESS OTHERWISE SPECIFIED:		APVD	-	NAME	
0 PLC ± 0.3		PRODUCT SPEC	-	SD MEMORY CARD CONNECTOR	
1 PLC ± 0.3		APPLICATION SPEC	-	PUSH PUSH TYPE	
2 PLC ± 0.3		SIZE	A3	CAGE CODE	00779
3 PLC ± 0.3		DRAWING NO	C-1939115		RESTRICTED TO
4 PLC ± 0.3		WEIGHT	CUSTOMER DRAWING		SCALE
ANGLES ± 3'		FINISH	3:1		SHEET
			4 OF 6		REV
					D

LOC		DIST		REVISIONS					
J				P	LTR	DESCRIPTION	DATE	DWN	APVD
				-		SEE SHEET 1	-	-	-



Pin Assignment						
Pin#	SD Mode			SPI Mode		
	Name	Type	Description	Name	Type	Description
1	CD/DAT3	I/O/PP	Card Detect/ Data Line[Bit 3]	CS	I	Chip Select(neg true)
2	CMD	PP	Command/Response	DI	I	Data In
3	Vss1	S	Supply voltage ground	VSS	S	Supply voltage ground
4	Vdd	S	Supply voltage	VDD	S	Supply voltage
5	CLK	I	Clock	SCLK	I	Clock
6	Vss2	S	Supply voltage ground	VSS2	S	Supply voltage ground
7	DAT0	I/O/PP	Data Line[Bit 0]	DO	O/PP	Data Out
8	DAT1	I/O/PP	Data Line[Bit 1]	RSV		
9	DAT2	I/O/PP	Data Line[Bit 2]	RSV		

Switch pin Assignment	
	Card detect switch
	Common terminal
	Write protect switch

THIS DRAWING IS A CONTROLLED DOCUMENT.		DWN	-	STE TE Connectivity			
DIMENSIONS: MM		CHK	-				
TOLERANCES UNLESS OTHERWISE SPECIFIED:		APVD	-	NAME			
0 PLC ± 0.3		PRODUCT SPEC		SD MEMORY CARD CONNECTOR PUSH PUSH TYPE			
1 PLC ± 0.3		APPLICATION SPEC		-			
2 PLC ± 0.3		SIZE	A3	CAGE CODE	00779	DRAWING NO	C-1939115
3 PLC ± 0.3		WEIGHT		RESTRICTED TO			
4 PLC ± 0.3		CUSTOMER DRAWING		SCALE	4:1	SHEET	5 OF 6
ANGLES ± 3°				REV		D	
MATERIAL	FINISH						

4

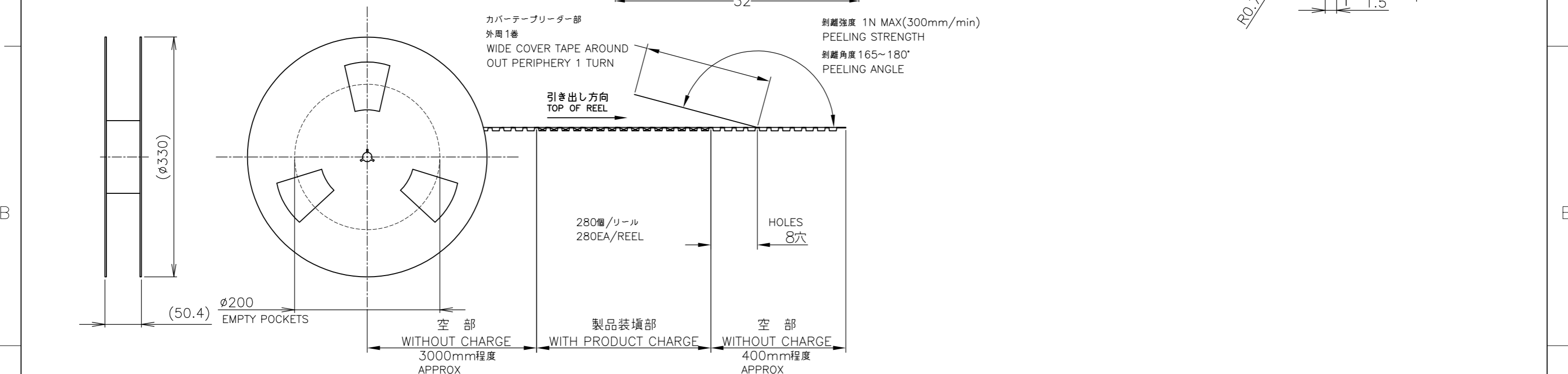
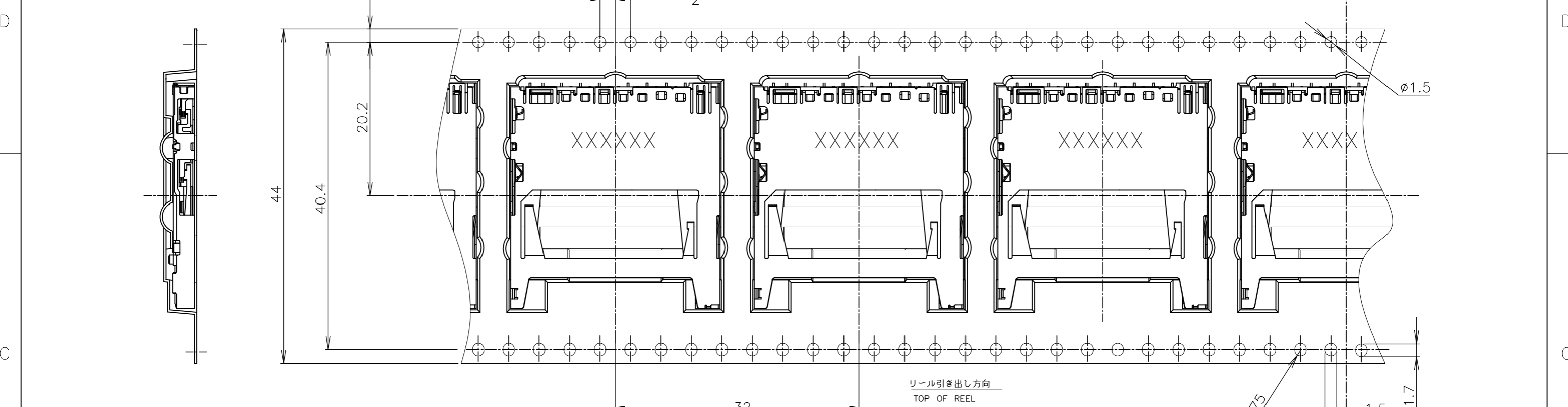
3

2

1

THIS DRAWING IS UNPUBLISHED. RELEASED FOR PUBLICATION MAR , 2003.
 © COPYRIGHT 2004 By Tyco Electronics JAPAN G.K. ALL RIGHTS RESERVED.

LOC	DIST	REVISIONS			
P	LTR	DESCRIPTION	DATE	DWN	APVD
J	/	SEE SHEET 1	-	-	-



THIS DRAWING IS A CONTROLLED DOCUMENT.		DWN	-	STE TE Connectivity	
		CHK	-		
DIMENSIONS: MM		APVD	-	NAME	
		TOLERANCES UNLESS OTHERWISE SPECIFIED:		SD MEMORY CARD CONNECTOR PUSH PUSH TYPE	
		0 PLC	± 0.3	PRODUCT SPEC	
MATERIAL		1 PLC	± 0.3	APPLICATION SPEC	
		2 PLC	± 0.3	SIZE	A3
		3 PLC	± 0.3	CAGE CODE	00779
		4 PLC	± 0.3	DRAWING NO	C-1939115
		ANGLES	± 3'	RESTRICTED TO	-
		FINISH	-	SCALE	3:1
		WEIGHT	-	SHEET	6 OF 6
CUSTOMER DRAWING				REV	D

单击下面可查看定价，库存，交付和生命周期等信息

[>>TE Connectivity\(泰科\)](#)