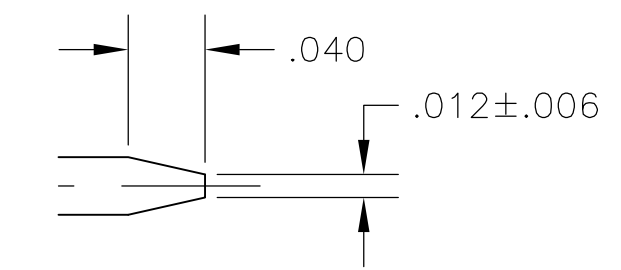
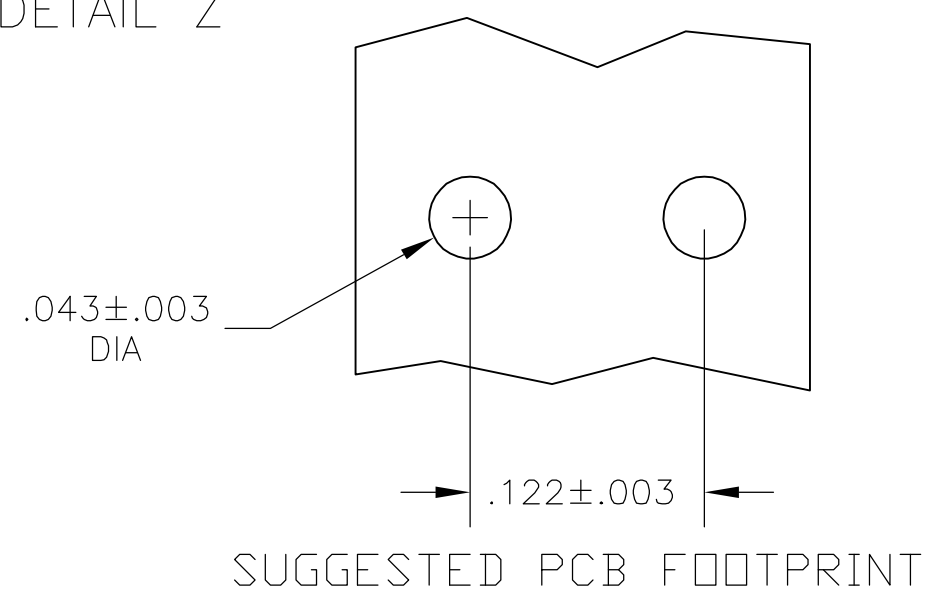
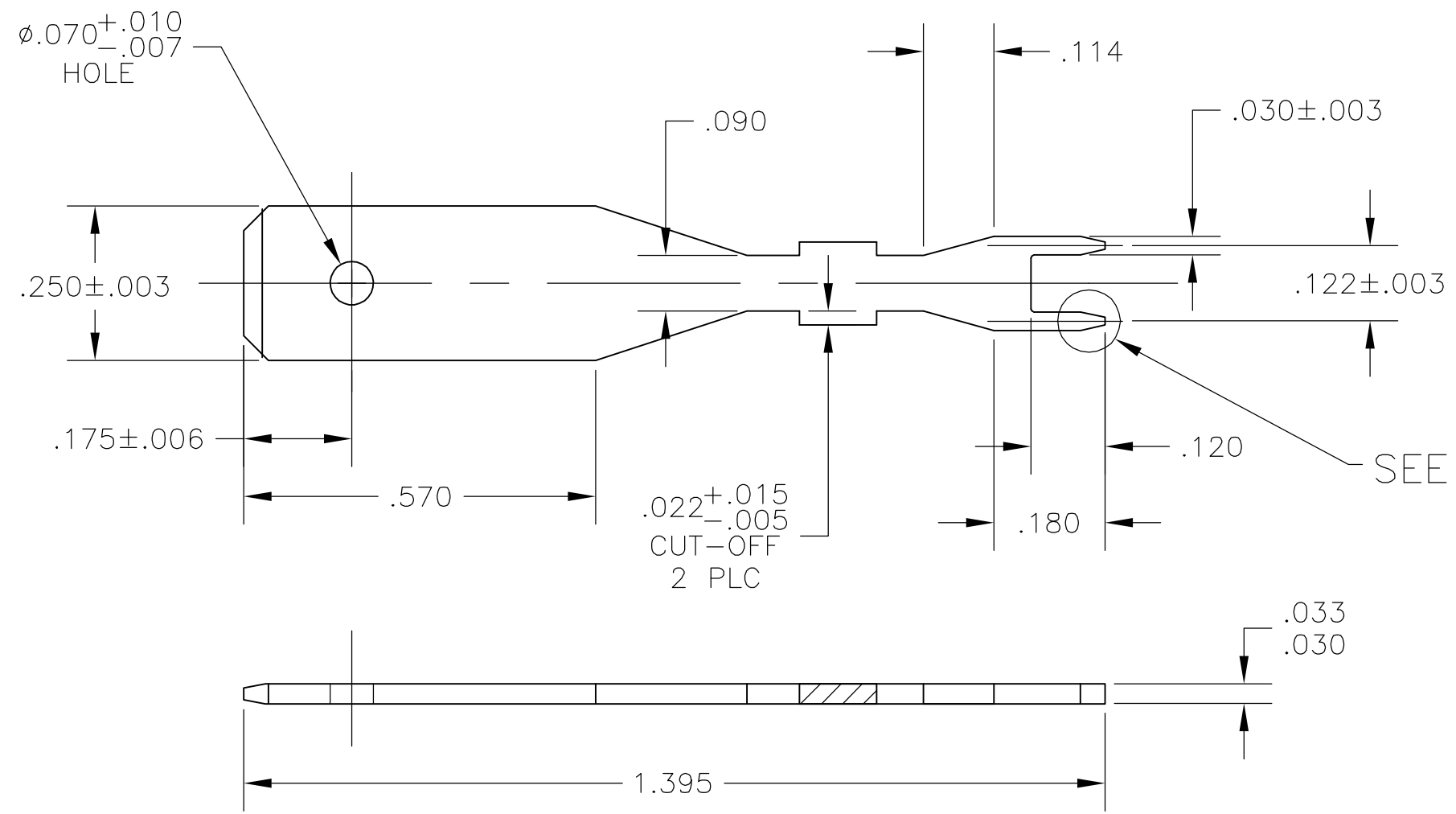


THIS DRAWING IS UNPUBLISHED. RELEASED FOR PUBLICATION
 © COPYRIGHT BY TYCO ELECTRONICS CORPORATION. ALL RIGHTS RESERVED.

LOC	DIST	REVISIONS					
AF	50	P	LTR	DESCRIPTION	DATE	DWN	APVD
		N1		REV PER ECR 06-004550	03MAR06	JR	KR

1 SUPPLIED IN LOOSE PIECE
 2 .000120 MIN TIN OVER .000050 MIN NICKEL



DETAIL Z
SCALE 10:1

1217742-1
PART NO

THIS DRAWING IS A CONTROLLED DOCUMENT.		DWN jr_ruth 09NOV04	Tyco Electronics Corporation Harrisburg, PA 17105-3608			
DIMENSIONS: INCHES		CHK N. DEIBERT 02NOV01				
TOLERANCES UNLESS OTHERWISE SPECIFIED:		APVD N. DEIBERT 02NOV01	NAME TAB, SPECIAL, PC BOARD, .250 SERIES LOOSE PIECE			
0 PLC ± - 1 PLC ± - 2 PLC ± - 3 PLC ± .010 4 PLC ± - ANGLES ± 5°		PRODUCT SPEC -	APPLICATION SPEC 114-2115			
MATERIAL H06 BRASS		FINISH 2	SIZE A3	CAGE CODE 00779	DRAWING NO C-1217742	RESTRICTED TO -
CUSTOMER DRAWING			SCALE 1:1	SHEET 1 OF 1	REV N1	

单击下面可查看定价，库存，交付和生命周期等信息

[>>TE Connectivity\(泰科\)](#)