

4

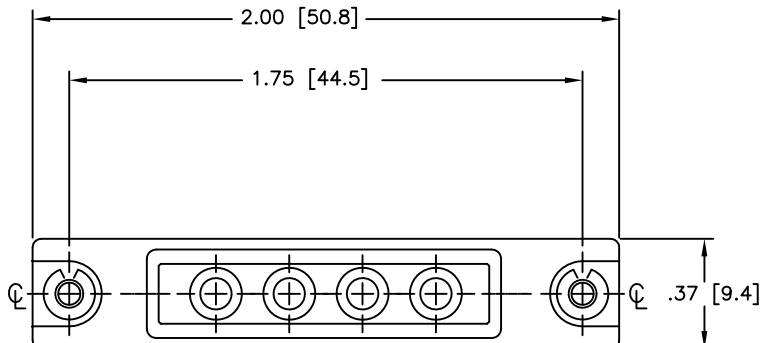
3



2

1

REVISIONS			
LTR	DESCRIPTION	DATE	APPROVED
A	REVISED PER ECN T-6234	2-27-80	J.B.
B	PER ECO-10-010187	May/13/2010	M.HIGGY



NOTES:

1. THIS PLUG PROTECTIVE CAP IS DESIGNED FOR ENVIRONMENTALLY SEALING THE MATING RECEPTACLE CONNECTOR WITH SOCKET CONTACTS, 1 INCH MTC COAX SERIES.

2. MATERIALS AND FINISHES:

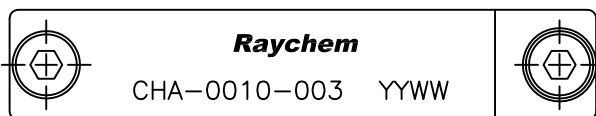
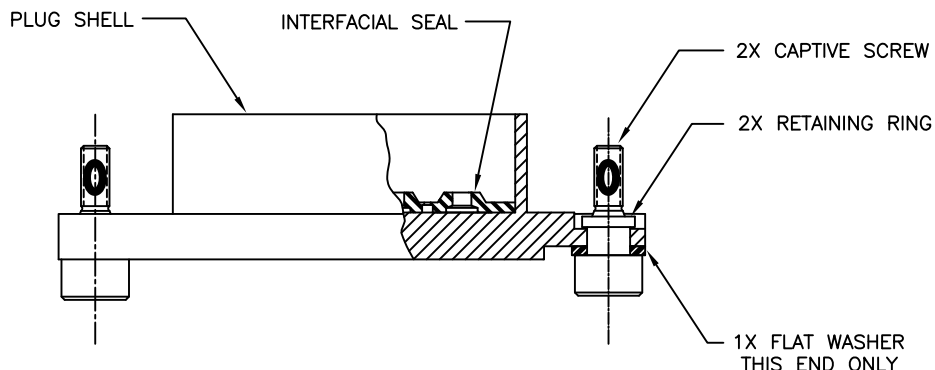
**PLUG SHELL:** ALUMINUM ALLOY PER AMS-QQ-A-225 OR ALUMINUM ALLOY 380 OR A380 PER ASTM B85 CADMIUM PLATED PER SAE-AMS-QQ-P-416

**INTERFACIAL SEAL:** FLOUROSILICONE PER MIL-R-25988

**CAPTIVE SCREW:** CORROSION RESISTANT STEEL 302, HQ, PER SEA-AMS-QQ-S-763A CADMIUM PLATED PER SAE-AMS-QQ-P-416 OVER NICKEL UNDERPLATE.

**RETAINING RING:** BERYLLIUM COPPER CADMIUM PLATED PER SAE-AMS-QQ-P-416

**FLAT WASHER:** CORROSION RESISTANCE STEEL 302 CADMIUM PLATED PER SAE-AMS-QQ-P-416



CUSTOMER DRAWING

If this document is printed it becomes uncontrolled. Check for the latest revision

© 2010 Tyco Electronics Corporation. All rights reserved.

UNLESS OTHERWISE SPECIFIED DIMENSIONS ARE IN INCHES. METRIC DIMENSIONS ARE IN BRACKETS.

DECIMALS  
 .XXX ± 0.010 [ 0.254 mm]  
 .XX ± 0.015 [ 0.38 mm]  
 .X ± 0.1 [ 2.54 mm]

ANGLES  
 .X ±

DRAWN ZSOFIA. ORBAN	DATE May/11/2010
CHECKED	DATE
APPROVED M. HIGGY	DATE May/11/2010
APPROVED	DATE
CAD NAME CHA-0010-003	
THIRD ANGLE PROJECTION	

		Raychem Interconnect 300 Constitution Drive North Park, CA 94023 U.S.A.	
TITLE 1 INCH PROTECTIVE CAP, PLUG WITH PIN INTERFACIAL SEAL. CADMIUM PLATED MTC COAX SERIES			
SIZE C	CAGE CODE: 06090	DWG. NO. CHA-0010-003	REV: B
SCALE: NONE		SHEET 1 OF 1	

DWG. NO. CHA-0010-003 SHEET 1

4



2

1

单击下面可查看定价，库存，交付和生命周期等信息

[>>TE Connectivity\(泰科\)](#)