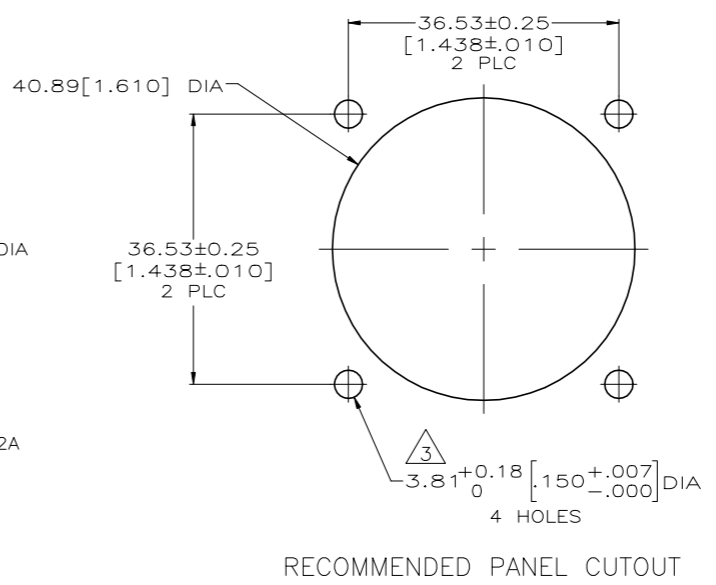
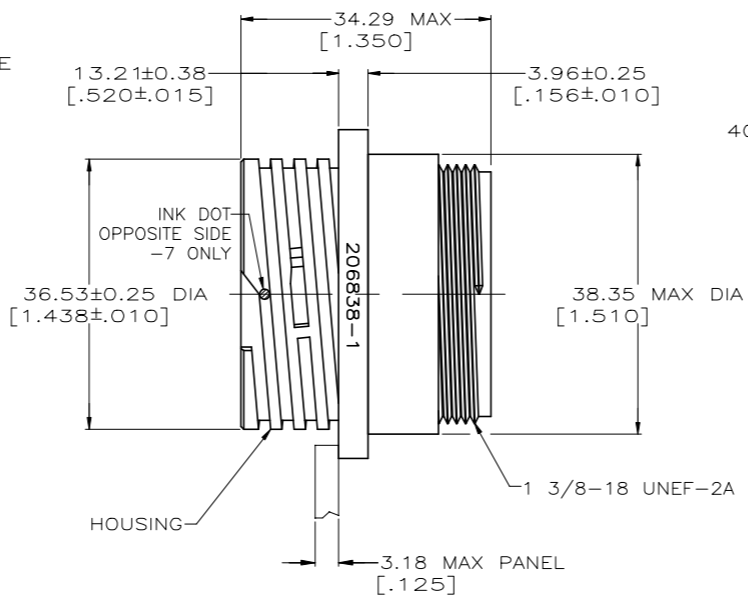
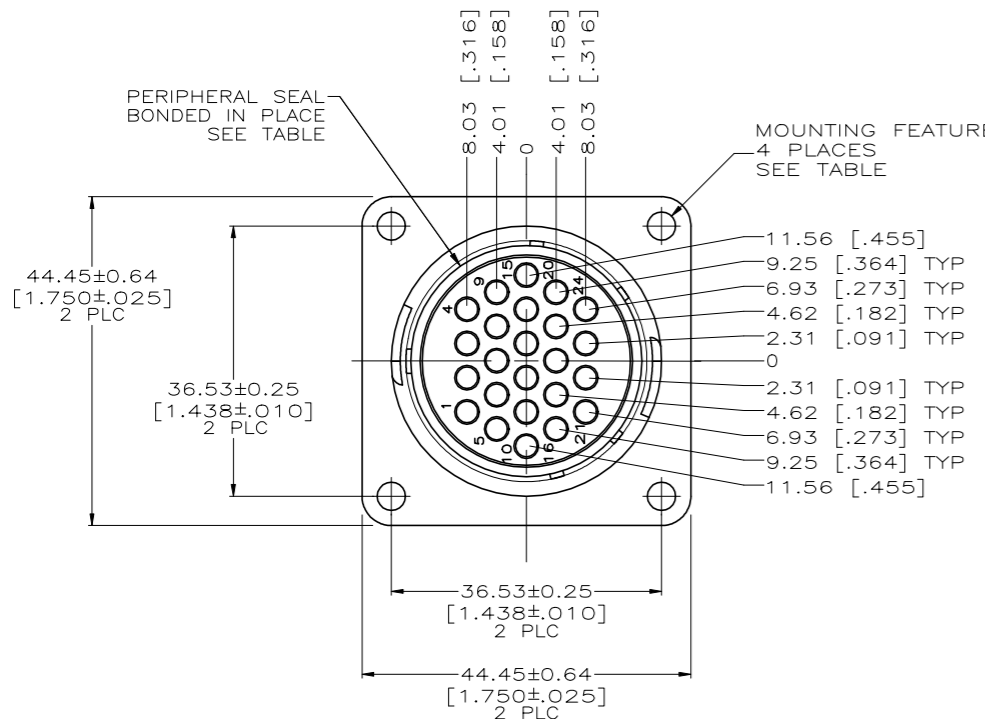
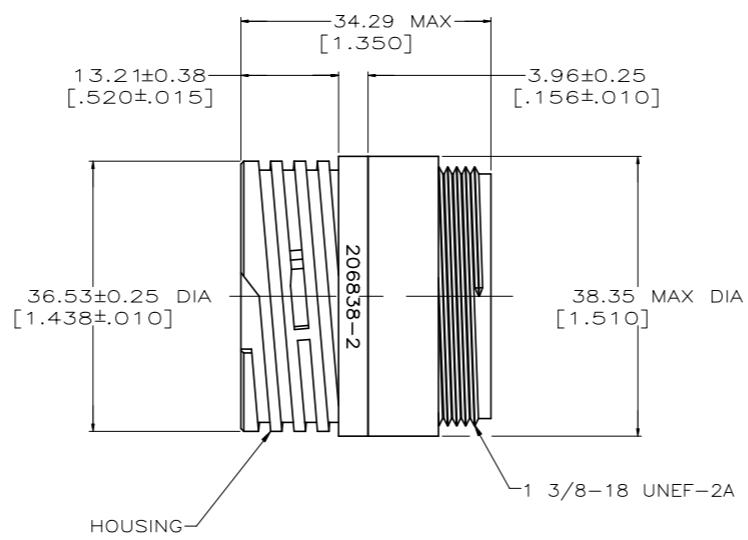
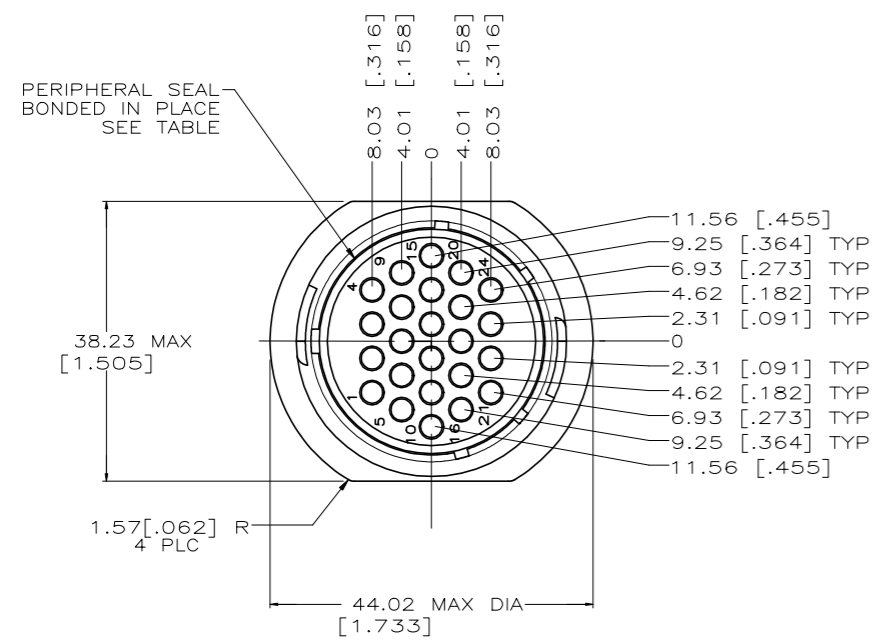


REVISIONS				
#	LTR	DESCRIPTION	DATE	APP'D
L1		REVISED PER ECO-16-004800	10SEP2016	NK MZ
M		REVISED PER ECR-16-017870	20APR2017	BDA MZ
N		REVISED PER ECO-19-014836	21OCT2019	RS MZ



DETAIL A



DETAIL B

- 1 CAVITY IDENTIFICATION ON FRONT AND REAR FACE.
- 2 WILL ACCEPT (24) MULTIMATE PIN CONTACTS.
- 3 NO 4 FASTENER RECOMMENDED FOR MOUNTING.
- 4 MAXIMUM INSULATION NOT TO EXCEED .150 DIA.
- 5 WHITE DOT NEAR POSITION 1 ON WIRE ENTRY FACE.
- 6 MATERIALS  
 HOUSING: PA66, BLACK  
 PERIPHERAL SEAL: NITRILE BUTADIENE RUBBER, BLACK  
 THREADED INSERTS: BRASS

#4-40 THREADED INSERTS	STANDARD	YES	A	1-206838-0
#4-40 THREADED INSERTS	STANDARD	NO	A	206838-9
3.81 (.150) MOUNTING HOLES	STANDARD	YES	A	206838-8
3.81 (.150) MOUNTING HOLES	STANDARD	YES	A	206838-7
3.81 (.150) MOUNTING HOLES	SMALL PACK	NO	A	206838-5
3.81 (.150) MOUNTING HOLES	STANDARD	YES	B	206838-4
	STANDARD	YES	A	206838-3
	STANDARD	NO	B	206838-2
	STANDARD	NO	A	206838-1
MOUNTING FEATURE	PACKAGING	PERIPHERAL SEAL	SEE DETAIL	PART NUMBER

THIS DRAWING IS A CONTROLLED DOCUMENT. DWN: D.GELTZ 10/29/92  
 CHK: R.STONE 08/11/93

TE Connectivity

RECEPTACLE HOUSING, STANDARD  
 SEX, SHELL SIZE 23, CPC

108-10024

SIZE: A1 CAGE CODE: 00779 DRAWING NO: 206838-2 SHEET 1 OF 1 REV N

CUSTOMER DRAWING SCALE: 2:1

单击下面可查看定价，库存，交付和生命周期等信息

[>>TE Connectivity\(泰科\)](#)