

4

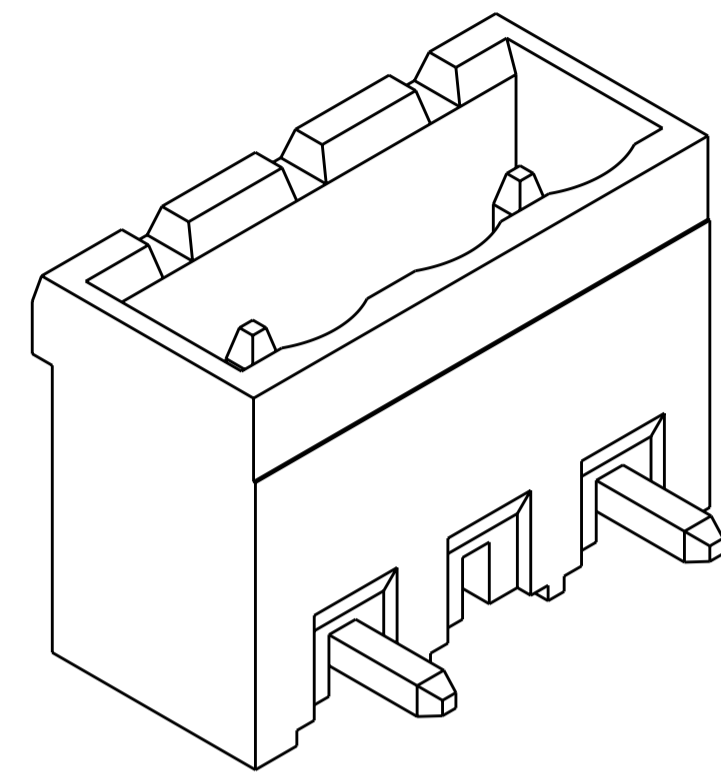
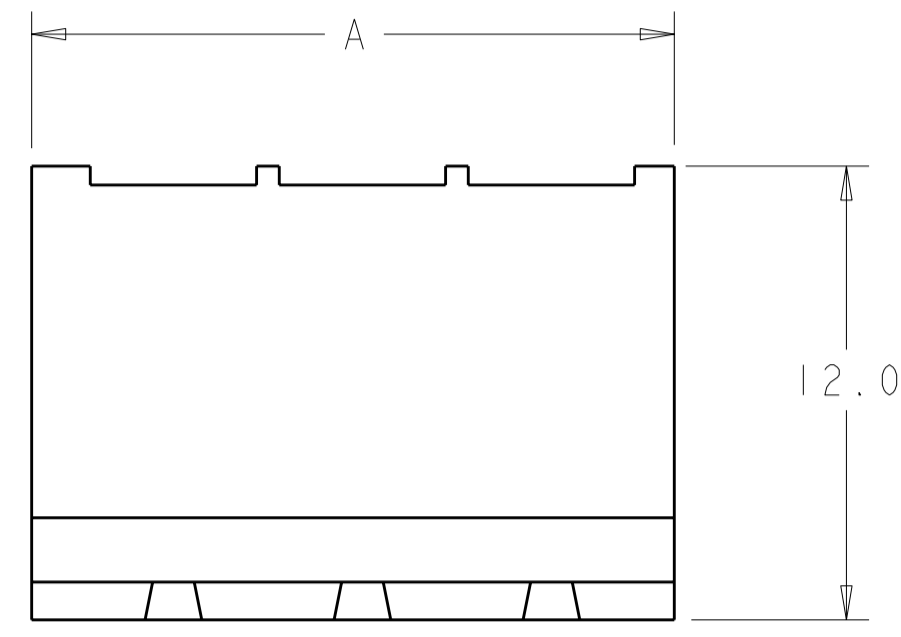
3

2

1

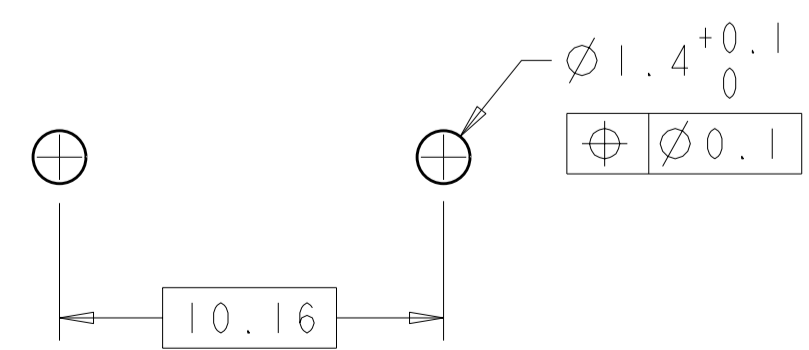
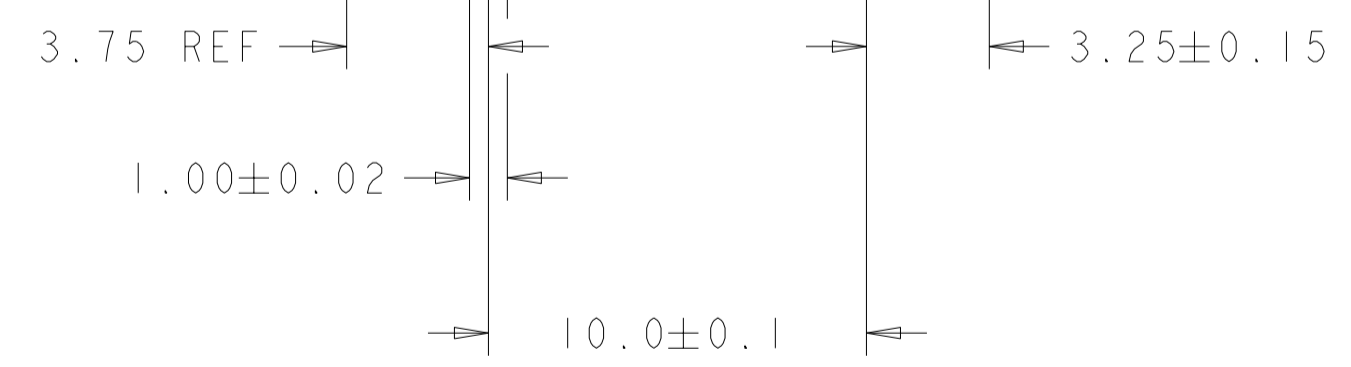
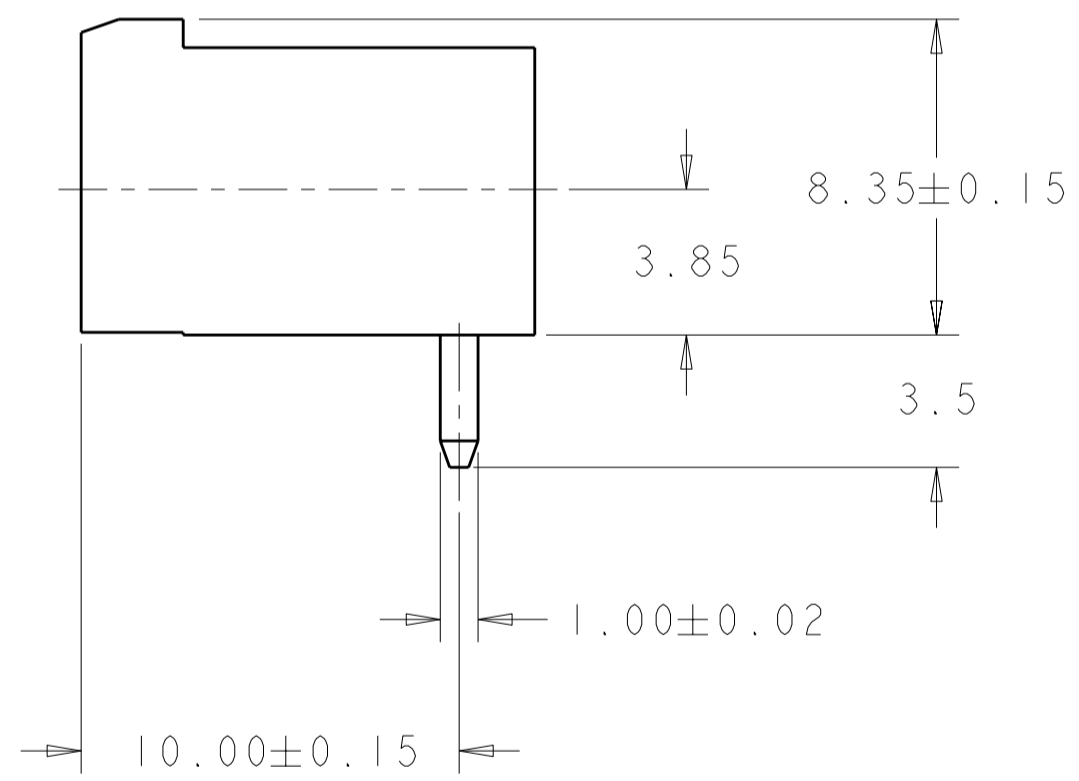
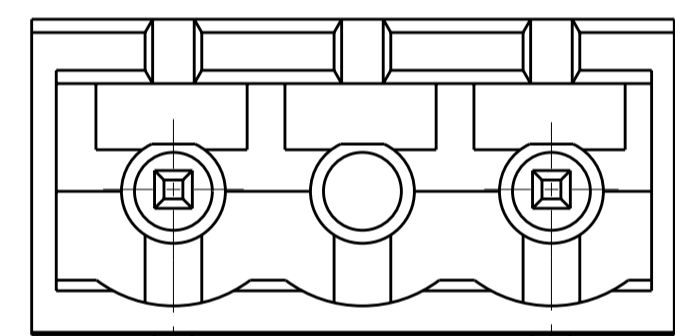
THIS DRAWING IS UNPUBLISHED. RELEASED FOR PUBLICATION 20
 © COPYRIGHT 20 Tyco Electronics AMP GmbH ALL RIGHTS RESERVED.

LOC		DIST		REVISIONS			
P	LTR	DESCRIPTION	DATE	DWN	APVD		
	01	REVISED PER ECO-12-007711	26APR2012	KH	MS		



- ⚠ MATERIALS AND FINISH
 HOUSING: HIGH TEMPERATURE POLYAMIDE, UL 94V-0 RATED,
 COLOR: BLACK.
 TERMINAL: COPPER ALLOY, TIN PLATED.
- SUITABLE FOR 1,6-2,4mm PC BOARD THICKNESS.
 - RECOGNIZED UNDER THE COMPONENT PROGRAM OF UNDERWRITERS LABORATORIES INC. FILE N° E60677.
 - IMQ CERTIFICATE WITH SURVEILLANCE IN CONFORMITY WITH IEC 998-1/998-2-1.

1776162-2 AS SHOWN



RECOMMENDED PC BOARD LAYOUT

37.0	4	1776162-4
27.0	3	1776162-3
17.0	2	1776162-2
A	NO OF POSN	PART NUMBER

THIS DRAWING IS A CONTROLLED DOCUMENT.		DWN S. WELDON 12JUL2005	STE TE Connectivity	
DIMENSIONS: mm		CHK C. RICHARD 12JUL2005		
TOLERANCES UNLESS OTHERWISE SPECIFIED:		APVD C. RICHARD 12JUL2005	NAME TERMINAL BLOCK HEADER ASSEMBLY, 90 DEGREE, CLOSED ENDS, 10.00mm PITCH	
0 PLC ±-		PRODUCT SPEC 108-20166	SIZE A2	
1 PLC ±.2		APPLICATION SPEC 114-20079	CAGE CODE C=1776162	DRAWING NO 1776162
2 PLC ±.25		WEIGHT -	RESTRICTED TO -	
3 PLC ±-		CUSTOMER DRAWING	SCALE 3:1	SHEET 1 OF 1
4 PLC ±-				REV 01
ANGLES ±2				
FINISH				

单击下面可查看定价，库存，交付和生命周期等信息

[>>TE Connectivity\(泰科\)](#)