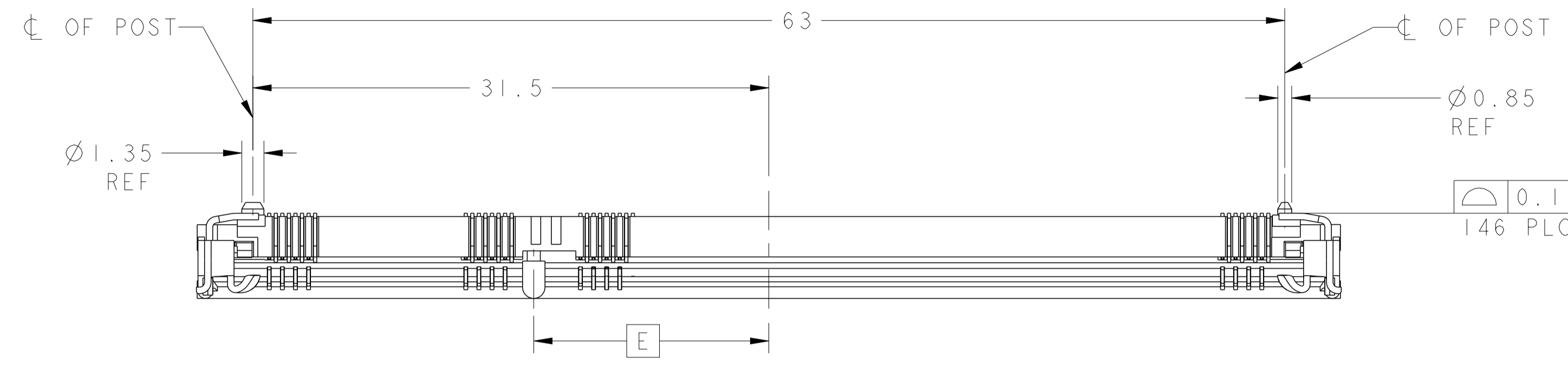
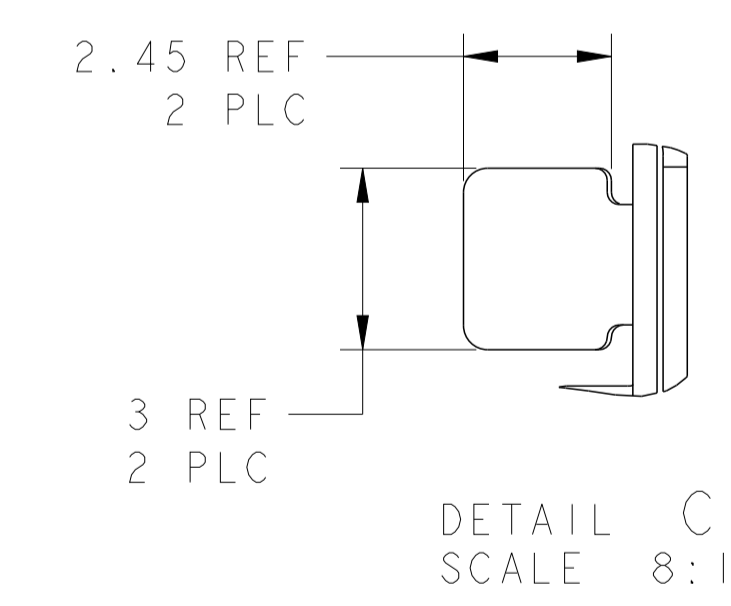
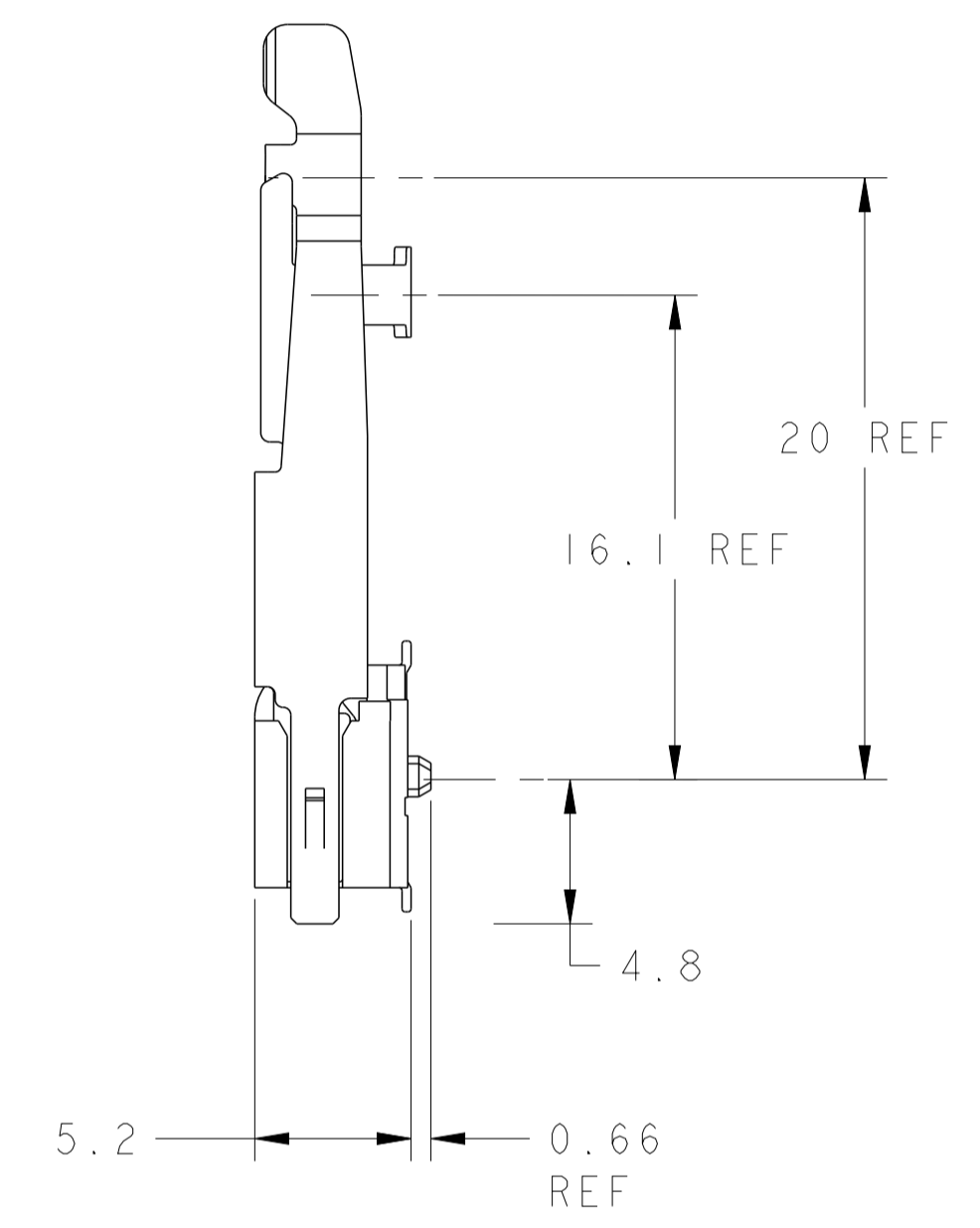
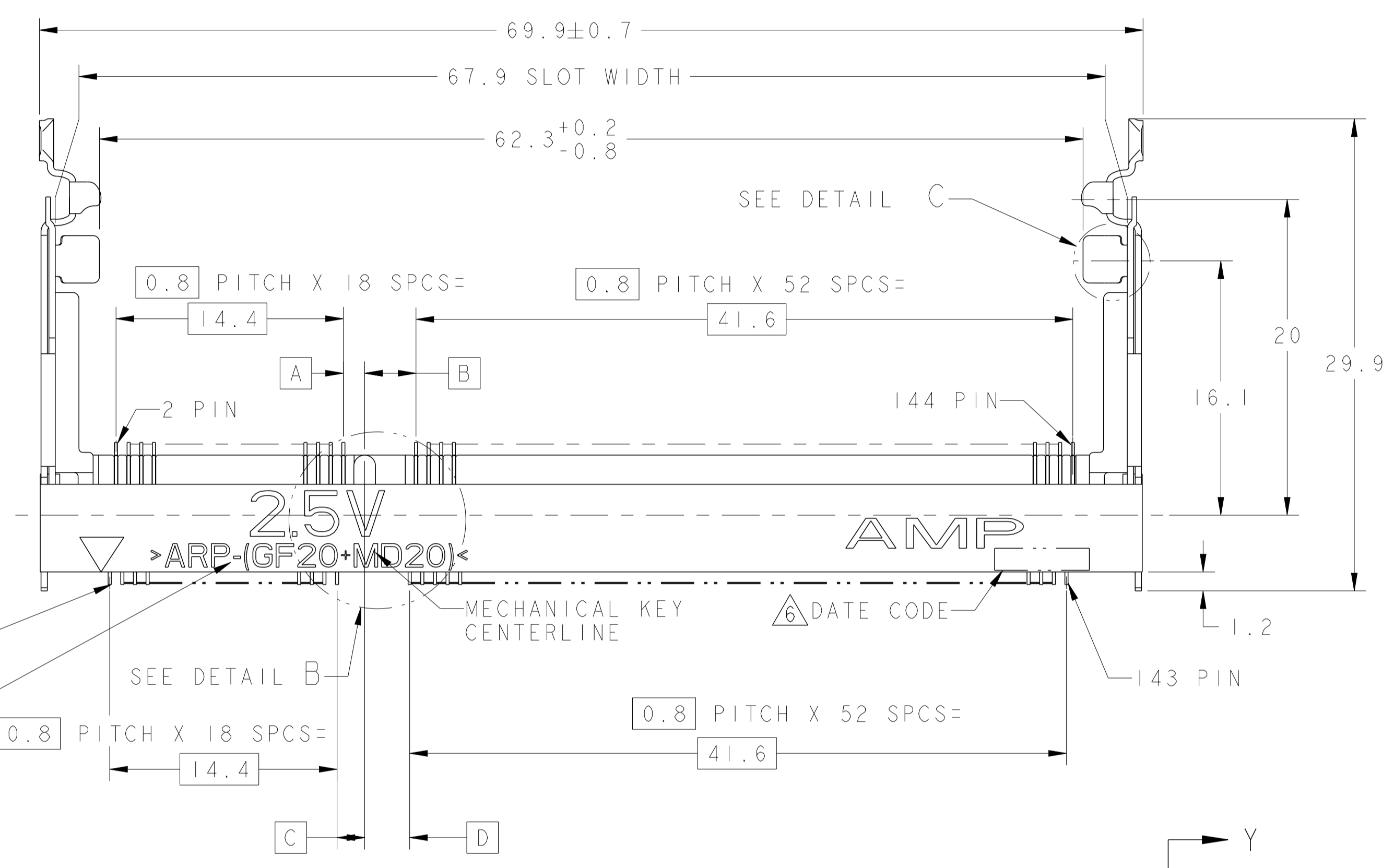


LOC	DIST	REVISIONS			
NO	DATE	DESCRIPTION	BY	CHK	APPD
A2		REVISED PER ECR-11-021344			

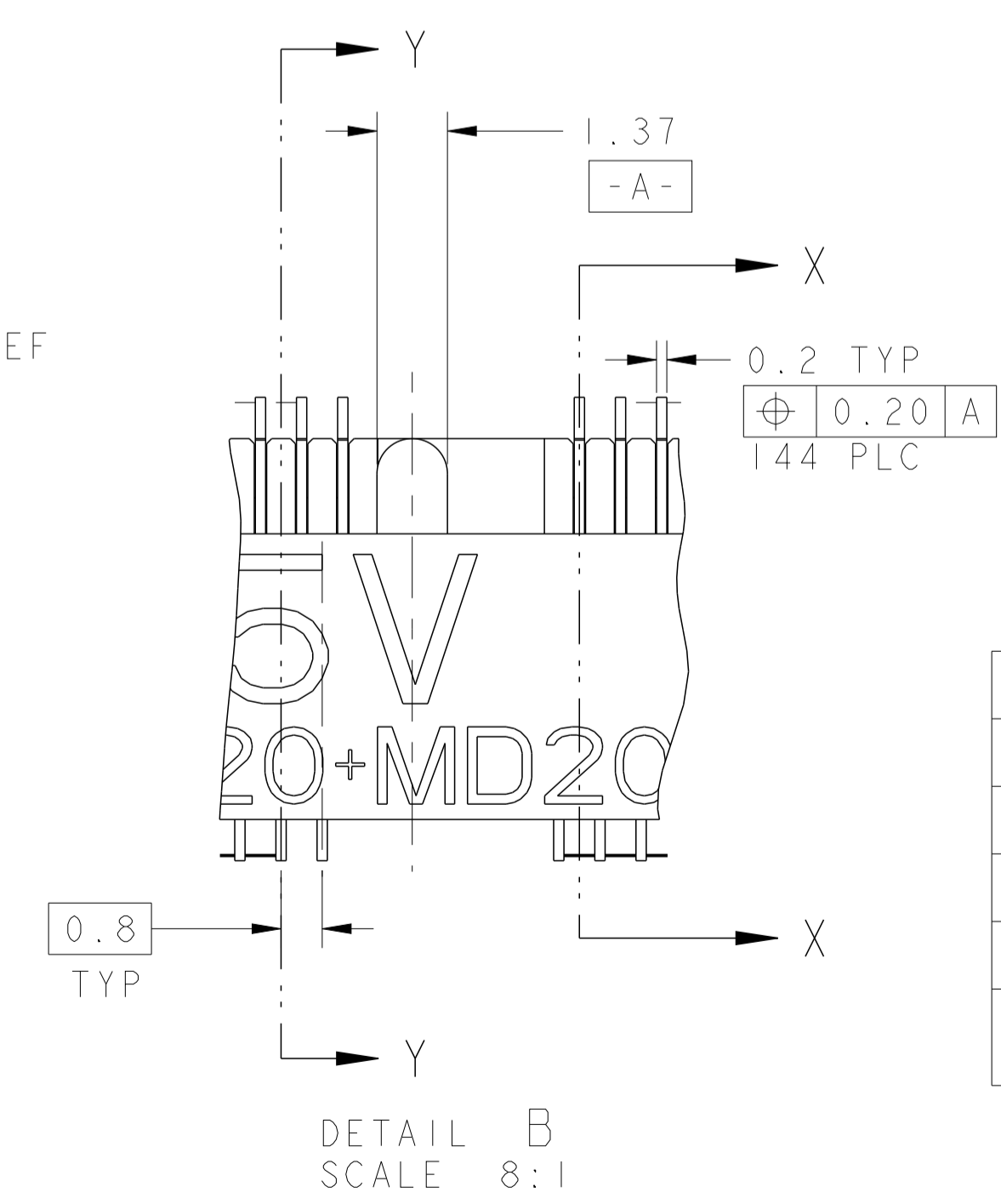
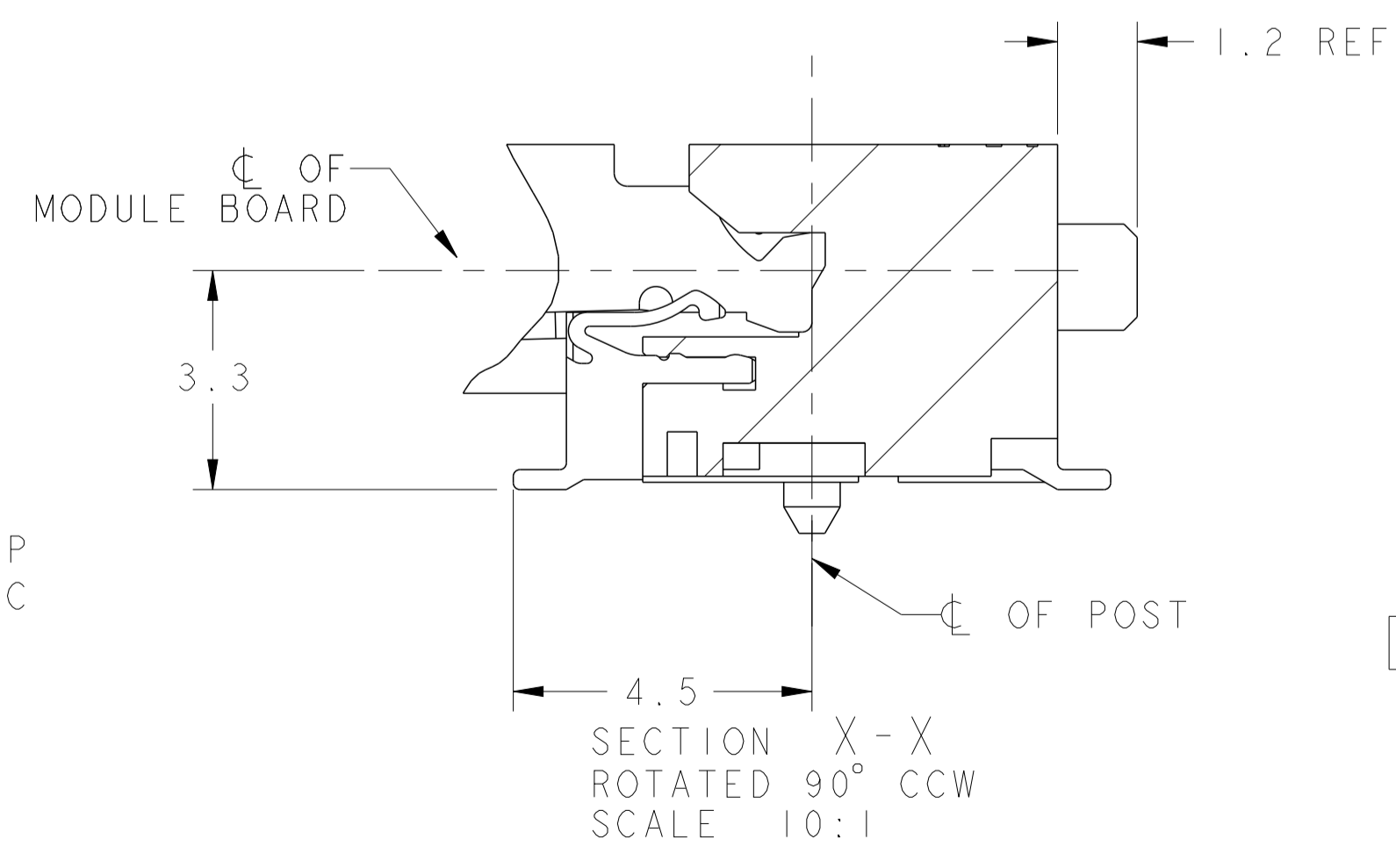
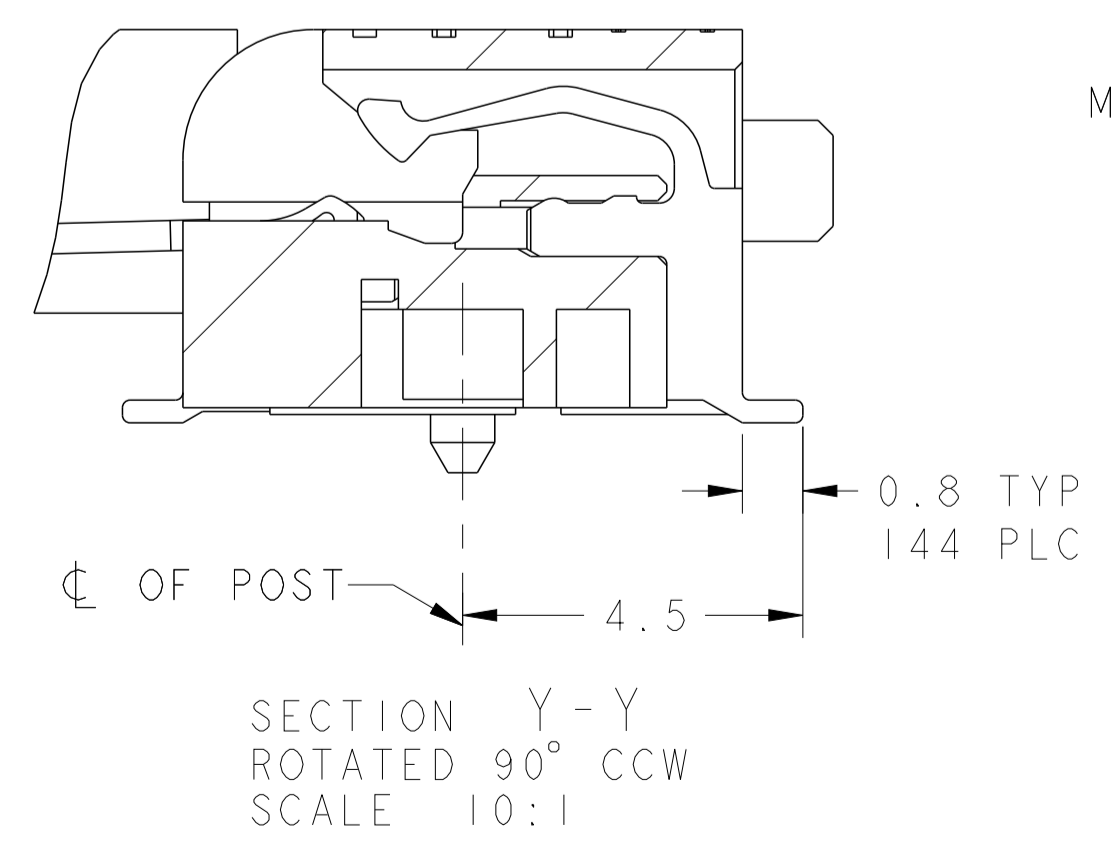


- 1 MATERIAL:
 HOUSING: HIGH TEMPERATURE PLASTIC, UL94V-0, NAT.
 CONTACT: COPPER ALLOY
 LATCH: SUS301 STAINLESS STEEL
- 2 FINISH:
 CONTACT AREA: 0.00025 MIN GOLD ON
 0.001 MIN ALL OVER NICKEL
 SOLDERING AREA: 0.00005 MIN TO 0.00030 MAX GOLD.
 LATCH: TIN.
- 3. TOLERANCES NON-ACCUMULATIVE.
- 4 PART PACKAGED IN TAPE & REEL AS PER EIA-1S704 STANDARD.
 REEL DIAMETER SHALL BE 330mm,
 TAPE WIDTH SHALL BE 88mm, AND
 TAPE PITCH SHALL BE 36mm.
- 5. COMPLIES WITH JEDEC SOCKET OUTLINE SO-008.
- 6 DATE CODE (4-DIGITS), LOCATED AS SHOWN.
 TO BE INTERPRETED AS FOLLOWS:
 DIGIT # 1 - LAST DIGIT OF YEAR.
 DIGITS # 2 AND # 3 - CALENDAR WEEK.
 DIGIT # 4 - DAY OF THE WEEK (WITH SUNDAYS AS DAY 1).



X-1735251-1 AS SHOWN

PACKAGING	DIM E	DIM D	DIM C	DIM B	DIM A	VARIATION VOLTAGE (DDR TYPE)	POS	PART NUMBER
TAPE & REEL 4	12.85	1.35	3.25	1.75	2.85	AC 1.50/1.35V (DDR3)	144	1-1735251-3
TAPE & REEL 4	13.60	2.10	2.5	2.5	2.10	AB 1.8V (DDR2)	144	1-1735251-2
SOFT TRAY	12.85	1.35	3.25	1.75	2.85	AC 1.50/1.35V (DDR3)	144	1735251-3
SOFT TRAY	13.60	2.10	2.5	2.5	2.10	AB 1.8V (DDR2)	144	1735251-2
SOFT TRAY	14.35	2.85	1.75	3.25	1.35	AA 2.5V (DDR1)	144	1735251-1

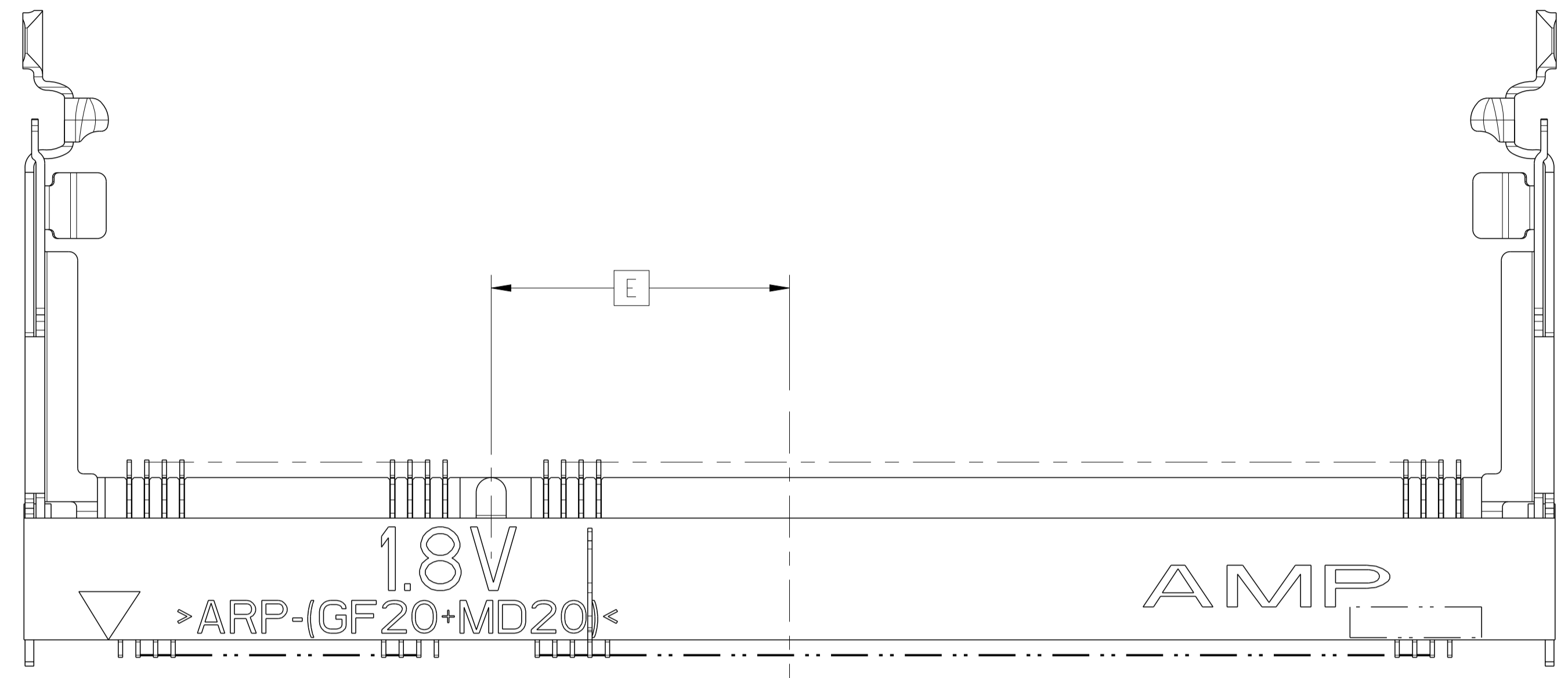


THIS DRAWING IS A CONTROLLED DOCUMENT FOR AMP INCORPORATED. ALL CHANGES MUST BE APPROVED BY THE ORIGINAL DESIGNING ORGANIZATION. ANY UNAUTHORIZED CHANGES SHOULD BE CONTACTED FOR THE LATEST REVISION.

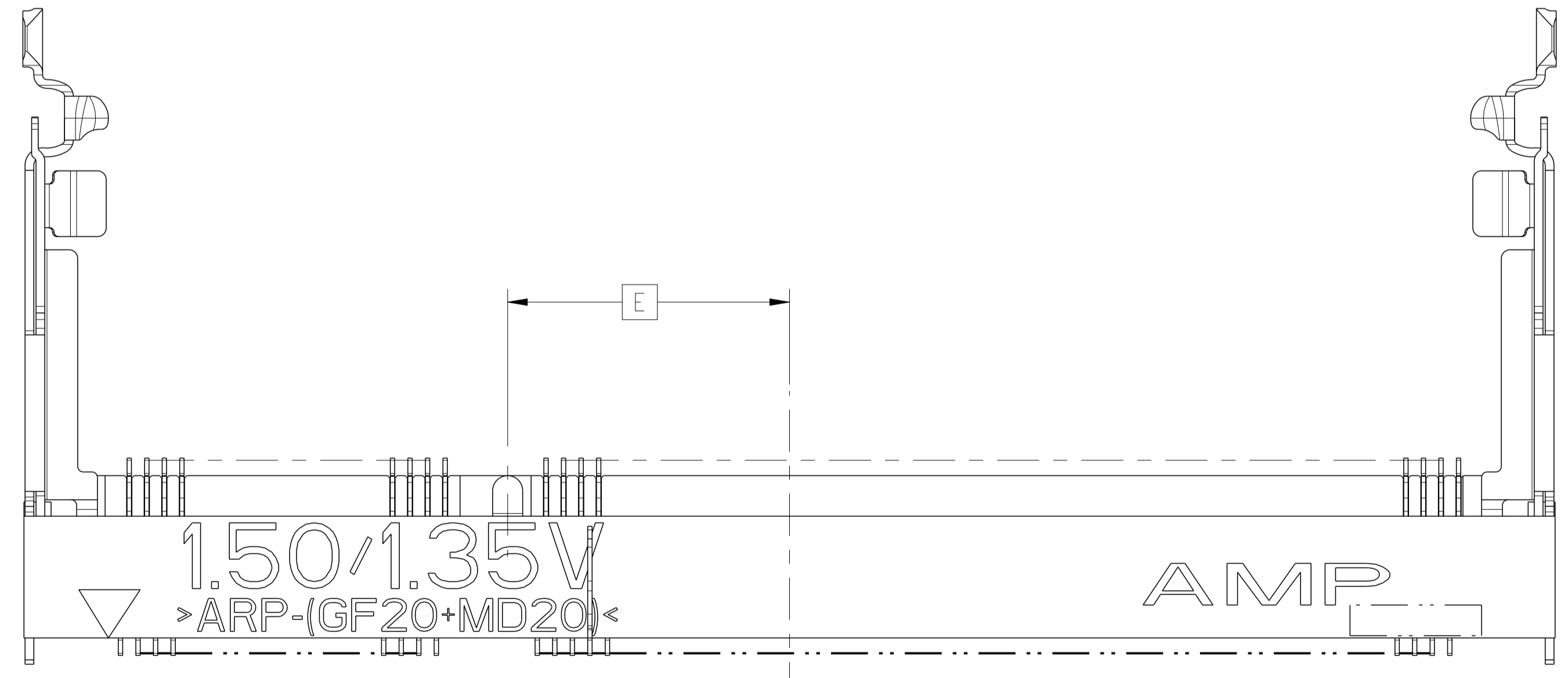
DIMENSIONS:	TOLERANCES UNLESS OTHERWISE SPECIFIED:	DRN: NYLEE	25MAY05
mm	0 PLC ±0.2 1 PLC ±0.2 2 PLC ±0.2 3 PLC ±0.2 4 PLC ±0.2 ANGLES ±°	CHK: YJ SEE	
MATERIAL	FINISH	APD: SE LEONG	NAME: S.O. DIMM SOCKET, 0.8mm PITCH, 144 POSITION, STD PROFILE
		PRODUCT SPEC: 108-1739	SIZE: A1
		APPLICATION SPEC: 114-1114	CAGE CODE: 00779
		WEIGHT:	DRAWING NO: 1735251
		CUSTOMER DRAWING	SCALE: 4:1

TE CONNECTIVITY Singapore

LOC		DIST		REVISIONS			
NO	DATE	BY	CHK	DESCRIPTION	DATE	BY	CHK
1				SEE SHEET 1			



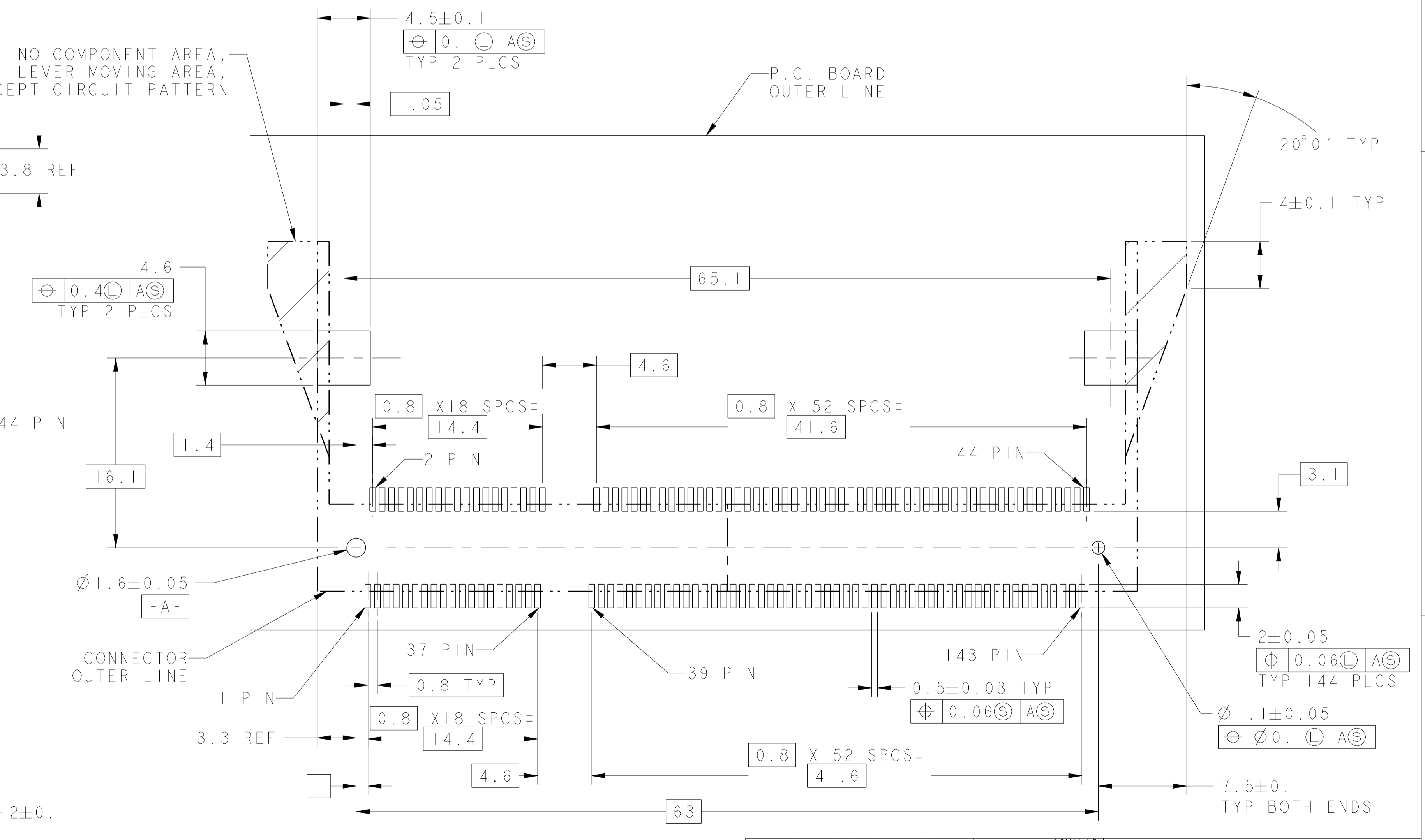
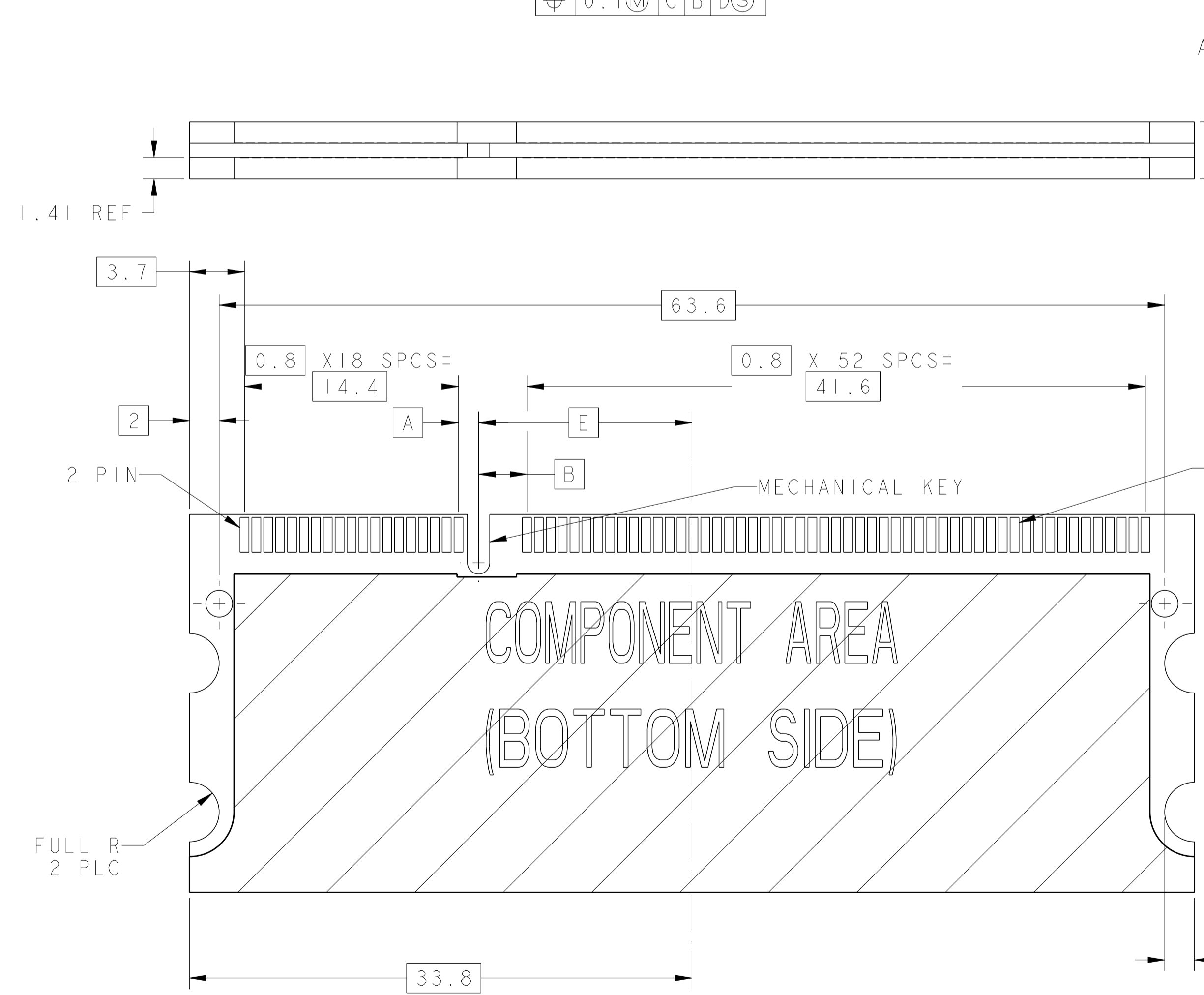
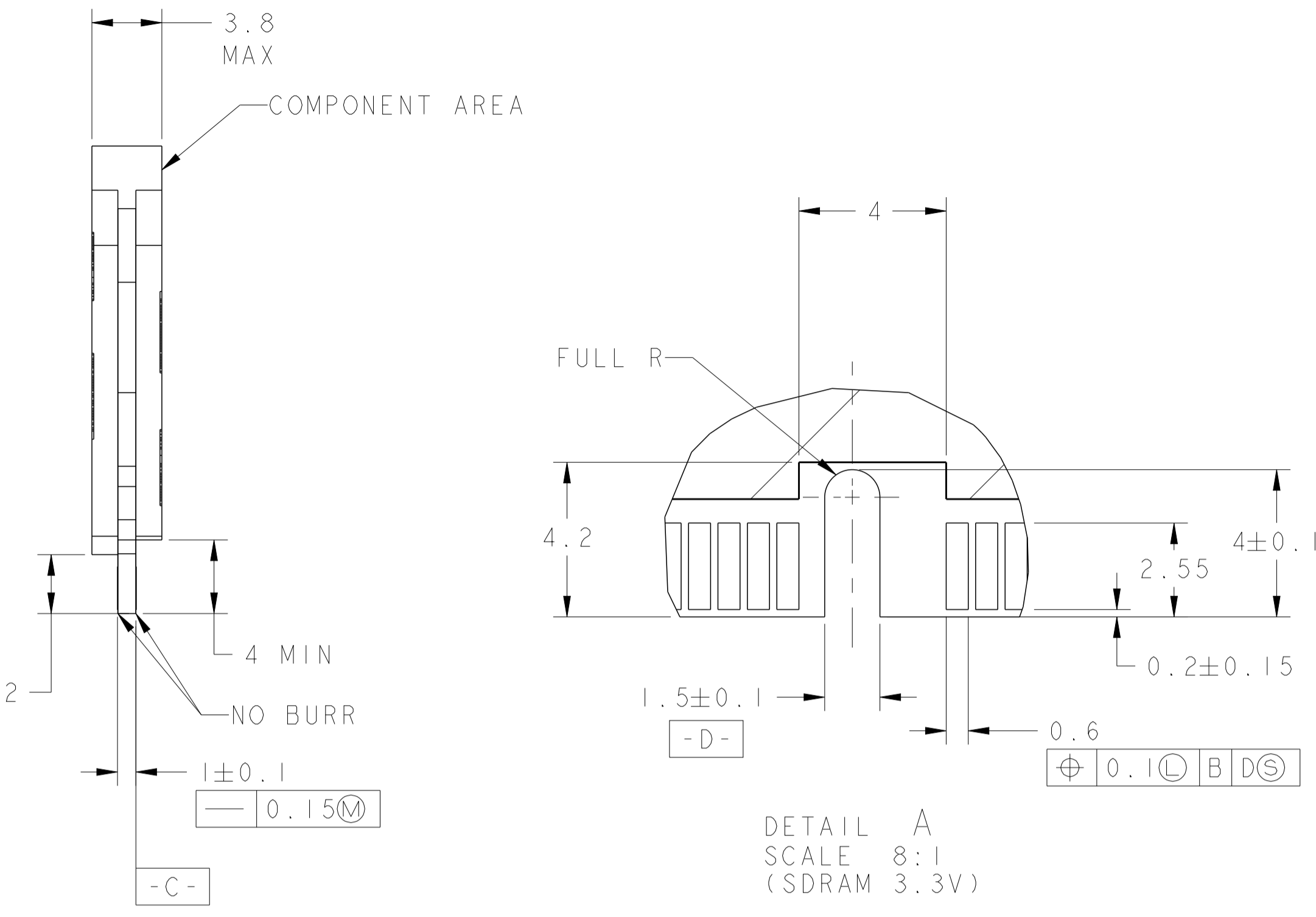
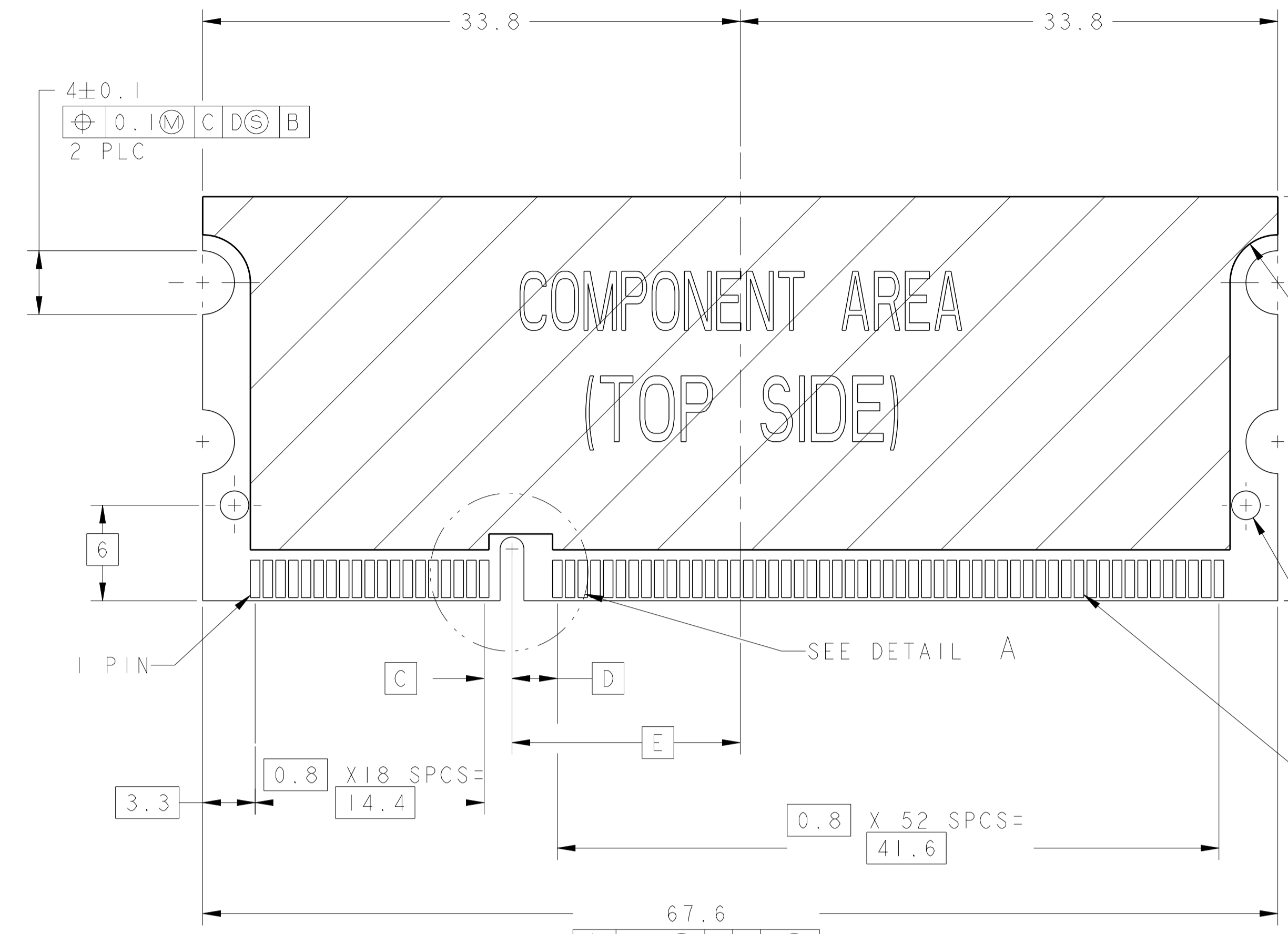
X-1735251-2 AS SHOWN



X-1735251-3 AS SHOWN

<small>THIS DRAWING IS A CONTROLLED DOCUMENT FOR AMP INCORPORATED AND IS SUBJECT TO CHANGE. AMP, THE CONTROLLED DOCUMENTING ORGANIZATION SHOULD BE CONTACTED FOR THE LATEST REVISION.</small>		DWN: WYLEE CHK: Y.J. SEE	25MAT05 TE CONNECTIVITY Singapore
DIMENSIONS: mm	TOLERANCES UNLESS OTHERWISE SPECIFIED: 0 PLC ±0.2 1 PLC ±0.2 2 PLC ±0.2 3 PLC ±0.2 4 PLC ±.2 ANGLES ±°	APVD: SE LEONG PRODUCT SPEC: 108-1739 APPLICATION SPEC: 114-1114	NAME: S.O. DIMM SOCKET, 0.8mm PITCH, 144 POSITION, STD PROFILE SIZE: A1 CAGE CODE: 00779 DRAWING NO: C-1735251
MATERIAL: FINISH	WEIGHT:	CUSTOMER DRAWING	SCALE: 4:1 SHEET: 2 of 3 REV: A2

LOC		DIST		REVISONS		
NO	DATE	BY	CHK	DESCRIPTION	DATE	APPD
1				SEE SHEET 1		



<small>THIS DRAWING IS A CONTROLLED DOCUMENT FOR AMP INCORPORATED AND IS SUBJECT TO CHANGE. AMP, THE CONTROL AND ENGINEERING ORGANIZATION SHOULD BE CONTACTED FOR THE LATEST REVISION.</small>		DWN: WYLEE CHK: Y.J. SEE APVD: SE LEONG PRODUCT SPEC: 108-1739 APPLICATION SPEC: 114-1114 WEIGHT: - CUSTOMER DRAWING	25MAY05 NAME: S.O. DIMM SOCKET, 0.8mm PITCH, 144 POSITION, STD PROFILE SIZE: A1 CAGE CODE: 00779 DRAWING NO: C-1735251 SCALE: 4:1 SHEET: 3 of 3 REV: A2	TE CONNECTIVITY Singapore
DIMENSIONS: mm TOLERANCES UNLESS OTHERWISE SPECIFIED: 0 PLC ±0.2 1 PLC ±0.2 2 PLC ±0.2 3 PLC ±0.2 4 PLC ±0.2 ANGLES ±°	MATERIAL: FINISH:			

单击下面可查看定价，库存，交付和生命周期等信息

[>>TE Connectivity\(泰科\)](#)