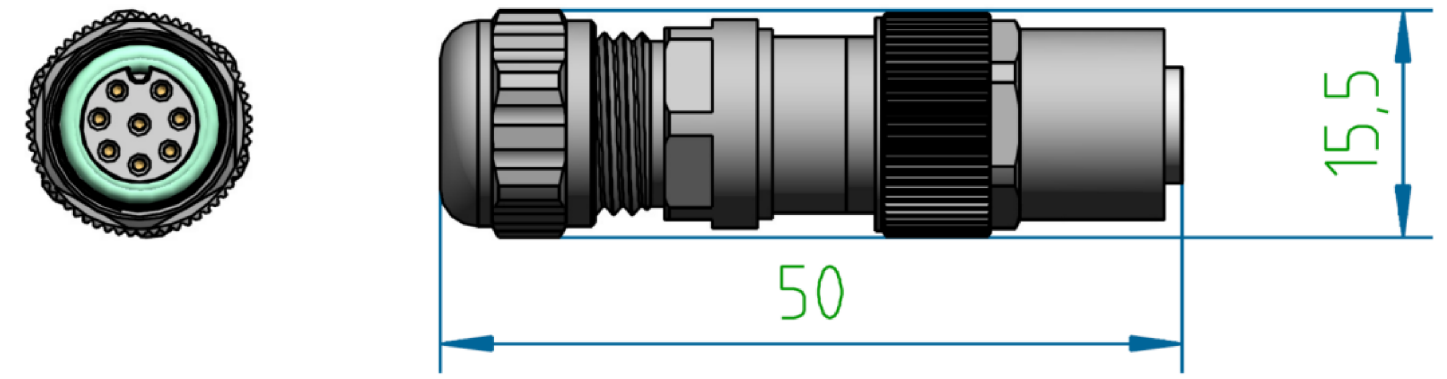
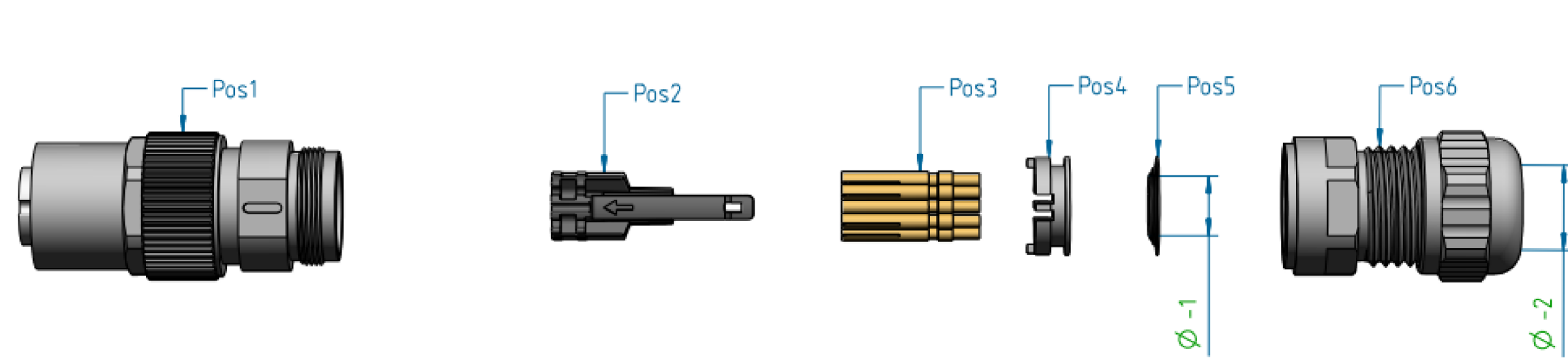


© 2020 TE Connectivity. All Rights Reserved.	
PROJECT	PRJ-14-000004825
PART NO.	X-2308323-X
DESCRIPTION	M12 A-CODED F-8 CABLE GLAND CONNECTOR FEMALE
CUSTOMER	GENERAL MARKET

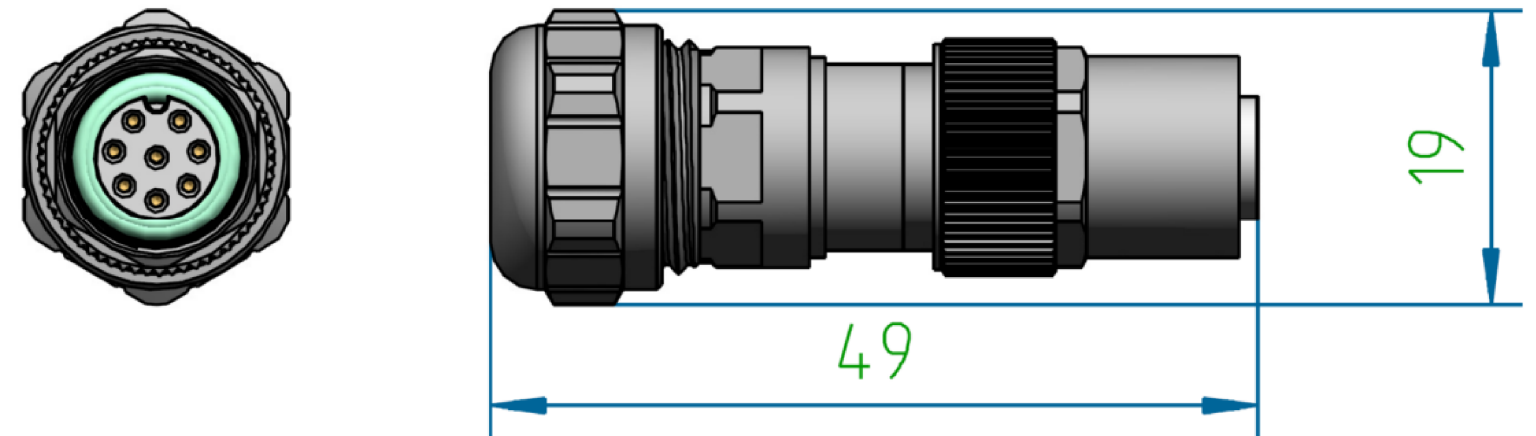
REVISIONS					
P	LTR	DESCRIPTION	DATE	DWN	APVD
C		REVERT BACK TO OLD DESIGN AS IN REVISION A4	08OCT2020	GK	SE



M12 A-8 FEMALE CABLE CLAMP RANGE FROM 4-6.5 mm

6	1	CABLE GLAND	Cu-ALLOY
5	1	DISC	Cu-ALLOY
4	1	DISC HEAD	Cu-ALLOY
3	-	ORDERED SEPARATELY	Cu-ALLOY GOLD-PLATED
2	1	CONTACT HOLDER	PA (THERMOPLAST)
1	1	FRONT HOUSING	Cu-ALLOY NICKEL-PLATED
SL. NO.	QTY	DESCRIPTION	MATERIAL

M12 A-CODED F-8 CABLE GLAND FEMALE CONNECTOR



M12 A-8 FEMALE CABLE CLAMP RANGE FROM 5.5-9 mm

SL. NO.	TE PART NO.	DESCRIPTION	No. of CONTACTS	OUTSIDE CABLE DIA
1	1-2308323-1	M12 A-CODED F-8 CABLE GLAND CONNECTOR FEMALE 4-6.5 mm	8	4-6.5 mm
2	1-2308323-2	M12 A-CODED F-8 CABLE GLAND CONNECTOR FEMALE 5.5-9 mm	8	5.5-9 mm

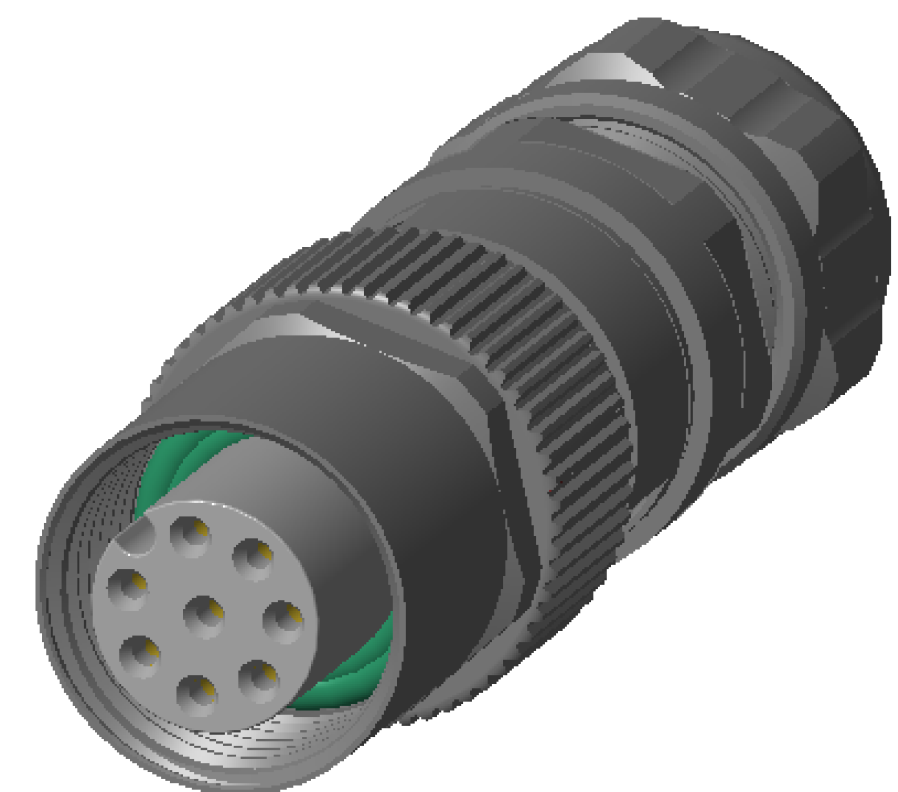
SHIELD DISC CHART		
PART NAME	CENTER HOLE SHIELD DISC	CABLE DIAMETER W/O OUTER SHEATH
SHIELD DISC 1	4 mm	3.9 mm MAX.
SHIELD DISC 2	5 mm	4.9 mm MAX.
SHIELD DISC 3	6 mm	5.9 mm MAX.
SHIELD DISC 4	7 mm	6.9 mm MAX.

CONTACTS TABLE					
M12 CODING	PIN/SOCKET	PICTURE	WIRE SIZE	TE P/N	DESCRIPTION
A8 CODING	REC		AWG22/24	1-2314101-1	M12 CRIMP CONTACT SOCKET 0.8mm Au 0.8µ
			AWG26/28	1-2314101-2	M12 CRIMP CONTACT SOCKET 0.8mm Au 0.8µ

PLEASE NOTE: CONTACTS NEED TO BE ORDERED SEPARATELY DEPENDING ON THE AWG SIZE.

NOTES:

- ALL DIMENSIONS ARE FOR NOMINAL REFERENCE ONLY.
- PACKAGING: 1 PIECE IN A BAG.
- THE CONNECTOR IS AS PER IEC 61076-2-101.
- TEMPERATURE RANGE: -40°C TO 85°C.
- VIBRATION & SHOCK TEST CONDUCTED AS PER IEC 61373:1999.
- FIRE PERFORMANCE CONDUCTED AS PER EN45545-2, NFF16-101 AND NFF16-102.
- THE THREAD OF THE MATING INTERFACE WITH THE COUNTERPART IS M12x1 ACCORDING TO IEC61076-2-101.
- SUPPLIER RECOMMENDED CRIMP INSERT: SHOULD BE VALIDATED ON CABLE USED.
- SHIELD DISC 1 - 4 ARE SUPPLIED IN THE BOX.



ISO VIEW

THIS DRAWING IS A CONTROLLED DOCUMENT.		DWN GOPALAKRISHNA HV 04AUG2020		
DIMENSIONS: mm		CHK S. EGBERT 04AUG2020		
TOLERANCES UNLESS OTHERWISE SPECIFIED: DIN ISO 2768 m		APVD S. EGBERT 04AUG2020	NAME M12 A-CODED F-8 CABLE GLAND CONNECTORS FEMALE	
0 PLC ± - 1 PLC ± - 2 PLC ± - 3 PLC ± - 4 PLC ± - ANGLES ± -		PRODUCT SPEC 108-156001	DRAWING NO 114-156002	
MATERIAL -		FINISH -	WEIGHT -	RESTRICTED TO -
CUSTOMER DRAWING		SCALE NTS	SHEET 1 OF 1	REV C

单击下面可查看定价，库存，交付和生命周期等信息

[>>TE Connectivity\(泰科\)](#)