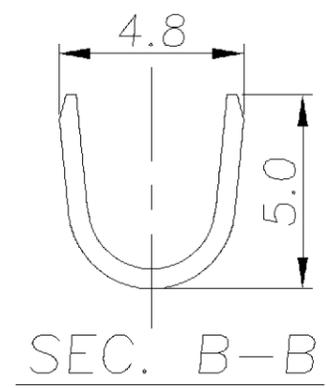
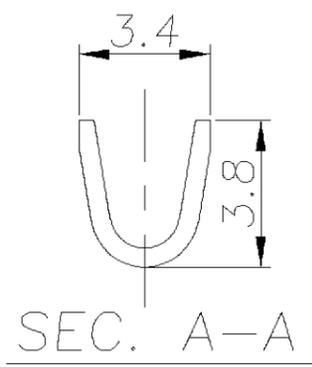
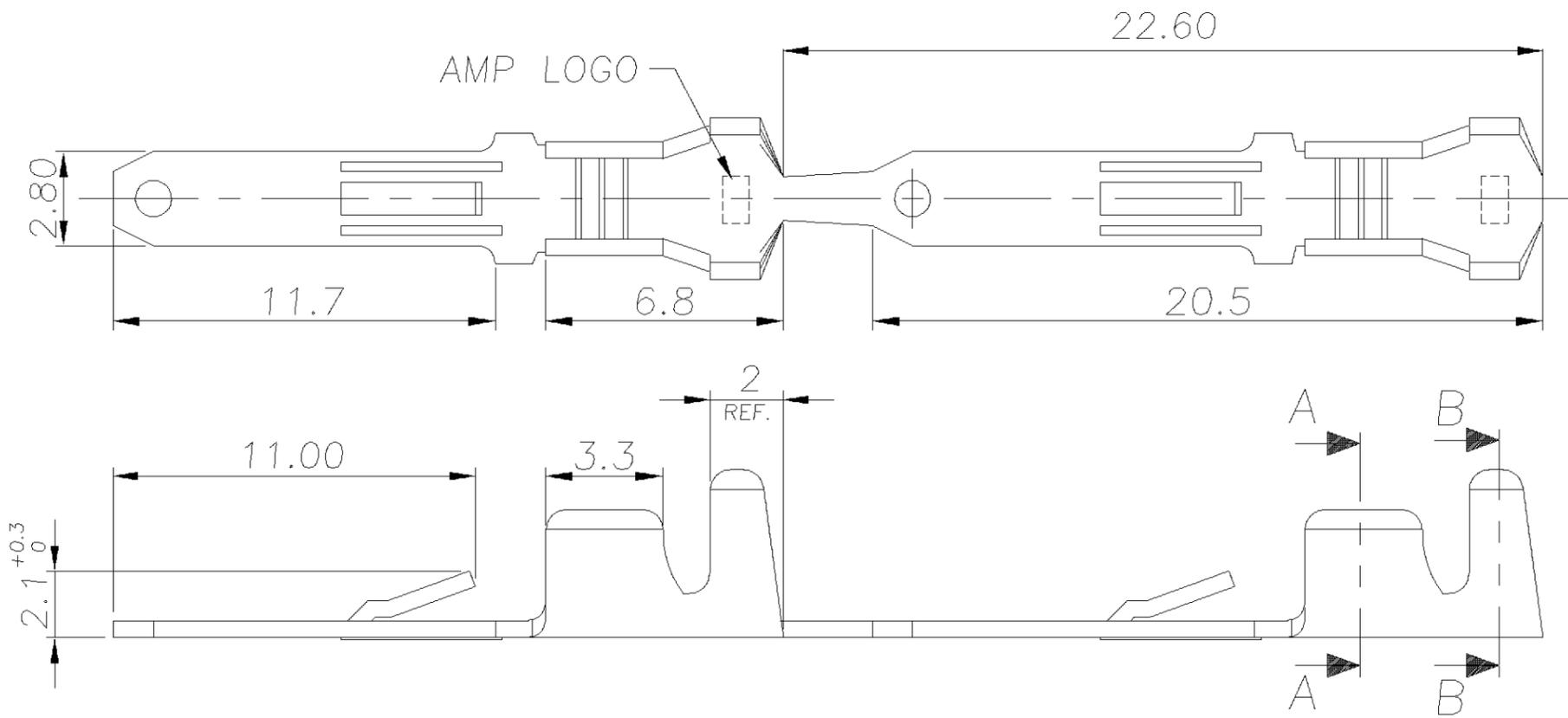


THIS INFORMATION IS CONFIDENTIAL AND IS DISCLOSED TO YOU ON CONDITION THAT NO FURTHER DISCLOSURE IS MADE BY YOU TO OTHER THAN AMP PERSONNEL WITHOUT WRITTEN AUTHORIZATION FROM AMP (TAIWAN) LTD. DIMENSIONS IN MILLIMETERS. DO NOT SCALE PRINT.

NUMBER C-1470236  
3RD ANGLE PROJECTION  
METRIC



- NOTES :
- MATERIAL :  
TERMINAL : BRASS C2680H, T=0.5mm
  - FINISH : TIN PLATING
  - APPLACTION :  
ASSEMBLED WITH P/N : 1470241 SERIES HSG  
WIRE SIZE : AWG #18~#16

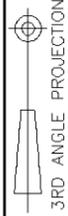
	1470236-2
	1470236-1
PLATING THICKNESS	PART NUMBER

DIMENSION :	DWN	S. HOU	TYCO HOLDINGS (BERMUDA) VII LTD. TAIWAN BRANCH	
0 PLC ±0.5	CHK	10-APR-2002	NAME	
1 PLC ±0.3		J. CHENG		
2 PLC ±0.2		10-APR-2002	TAB, FASTIN-FASTON, .110 SERIES	
3 PLC ±				
ANGLES ±3'			LOC DW A <sub>3</sub> DRAWING NO C-1470236 REV 0	
MATERIAL	APVD	J. WU		
SEE NOTE	PRODUCT SPEC	10-APR-2002	SCALE -- SHEET 1 OF 2	
FINISH	APPLICATION SPEC			
SEE NOTE	WEIGHT			

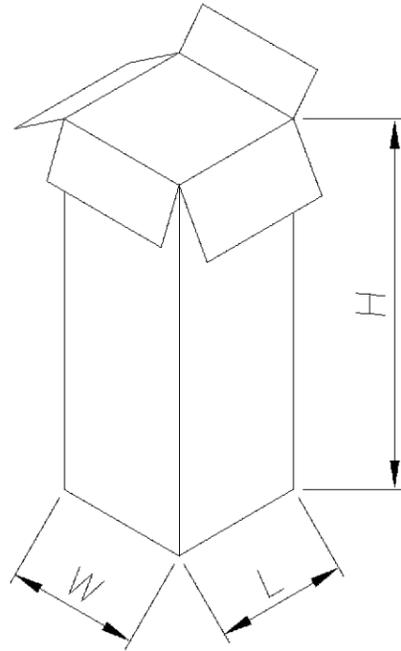
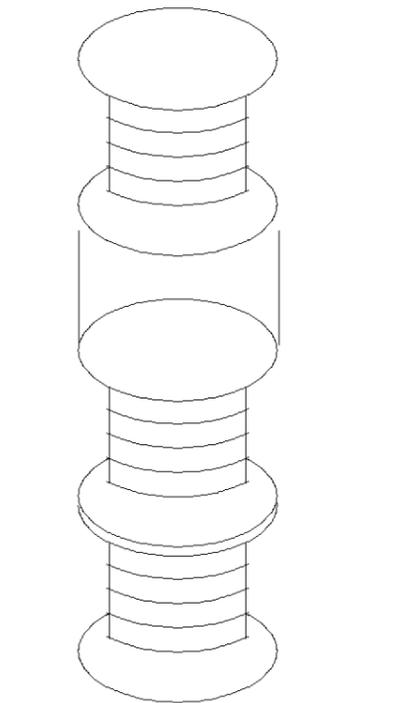
0	NEW RELEASED	FZ00-0089-02	SH	10APR
			JC	2002
LTR	REVISION RECORD	ECN	DWN	CHK
			DATE	

THIS INFORMATION IS CONFIDENTIAL AND IS DISCLOSED TO YOU ON CONDITION THAT NO FURTHER DISCLOSURE IS MADE BY YOU TO OTHER THAN AMP PERSONNEL WITHOUT WRITTEN AUTHORIZATION FROM AMP (TAIWAN) LTD. DIMENSIONS IN MILLIMETERS. DO NOT SCALE PRINT.

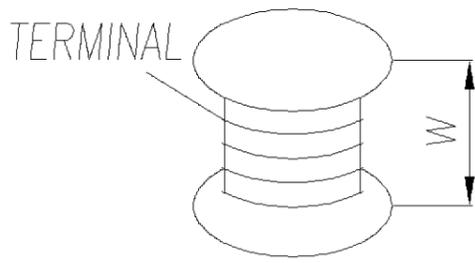
METRIC



NUMBER  
C-1470236



SHIPPING CARTON



REEL

NOTE :  
 1. DIMENSION :  
 REEL :  $\phi 260$ ,  $W=150$   
 SHIPPING CARTON:  
 $L=275$ ,  $W=275$ ,  $H=480$   
 2. QUANTITY :  
 10,000 PCS/REEL  
 3 REEL/SHIPPING CARTON

DIMENSION : 0 PLC $\pm$ 1 PLC $\pm 0.3$ 2 PLC $\pm 0.15$ 3 PLC $\pm 0.1$ ANGLES $\pm 3'$	DWN S. HOU 10-APR-2002	TYCO HOLDINGS (BERMUDA) VII LTD. TAIWAN BRANCH NAME TAB, FASTIN-FASTON, .110 SERIES
	CHK J. CHENG 10-APR-2002	
MATERIAL  SEE NOTE	APVD J. WU 10-APR-2002	PRODUCT SPEC APPLICATION SPEC WEIGHT
	LOC DW	
FINISH  SEE NOTE	SIZE A <sub>3</sub>	DRAWING NO C-1470236
LTR	REVISION RECORD	ECN
DWN	CHK	DATE
SCALE --		SHEET 2 OF 2

SEE SHEET 1	ECN	DWN	CHK	DATE
-------------	-----	-----	-----	------

PRINT  
DW

单击下面可查看定价，库存，交付和生命周期等信息

[>>TE Connectivity\(泰科\)](#)