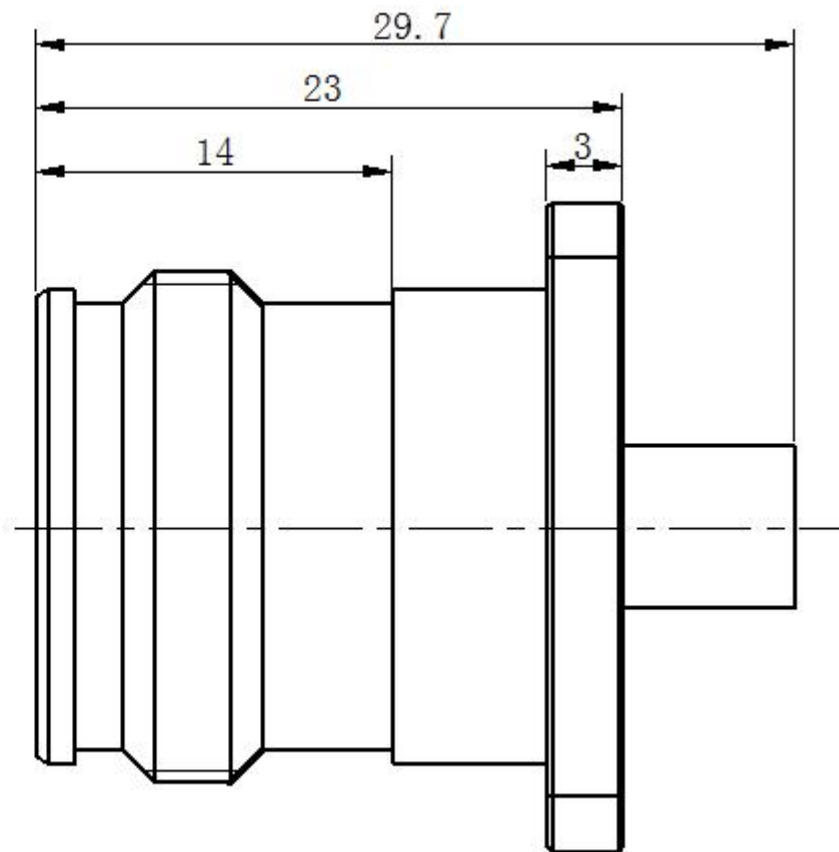
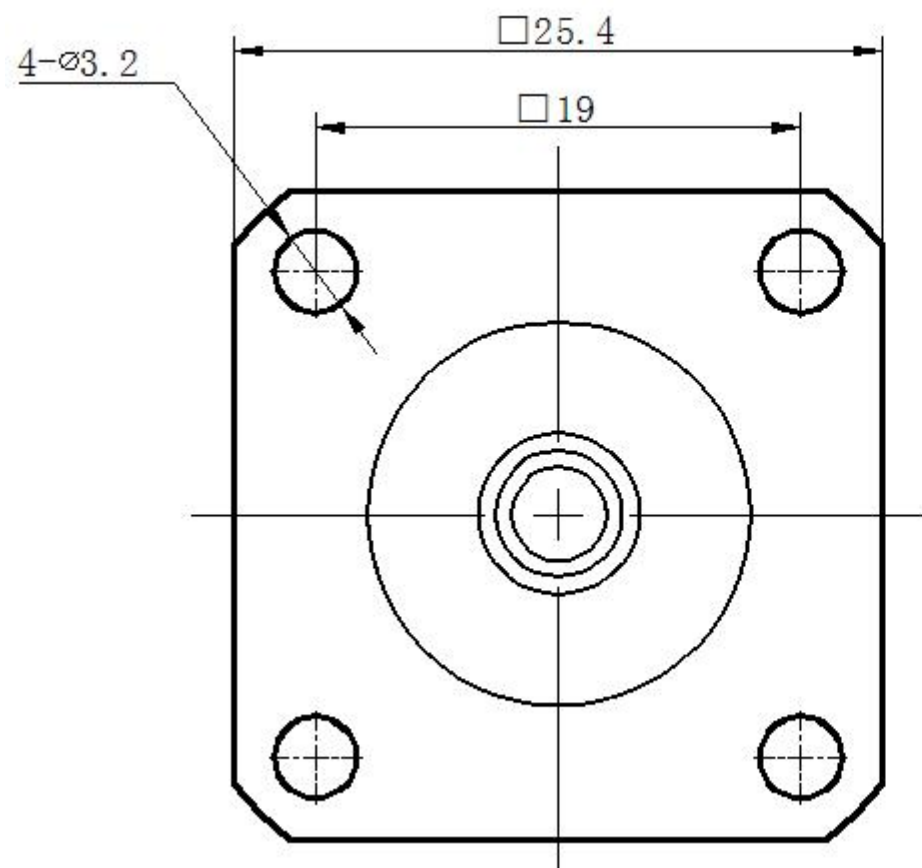


ELECTRICAL	
IMPEDANCE	50 Ohm
FREQUENCY RANGE	DC to 6GHz
INSERTION LOSS:	Max. 0.05*SQRT(F) dB
VSWR:	Max. 1.15@0-3GHz Max. 1.20@3-6GHz
DIELECTRIC WITHSTAND VOLTAGE:	Max. 1500 V RMS
INSULATION RESISTANCE	Min. 5000 Mohms
PIM3:	Max. -160dBc @2x20W, 900MHz, 1800MHz, 2100MHz tested with cable

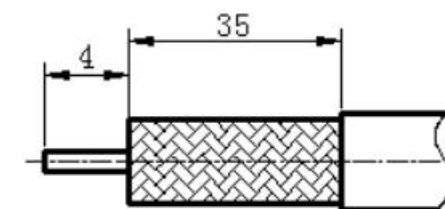
MECHANICAL	
MATING CYCLES:	MIN. 100 CYCLES
RECOMMENDED TORQUE:	5Nm
CABLE PULLING:	150N MIN.
CABLE TORSION:	0.06Nm MIN.

ENVIRONMENTAL	
TEMPERATURE RANGE:	-40°~+85°C
SALT SPRAY:	96H
INTERFACE SEAL:	IP68(1m, 24h) MATED
PANEL SEAL:	N/A

P	LTR	DESCRIPTION	DATE	DWN	APVD



RECOMMENDED CABLE DIMENSION



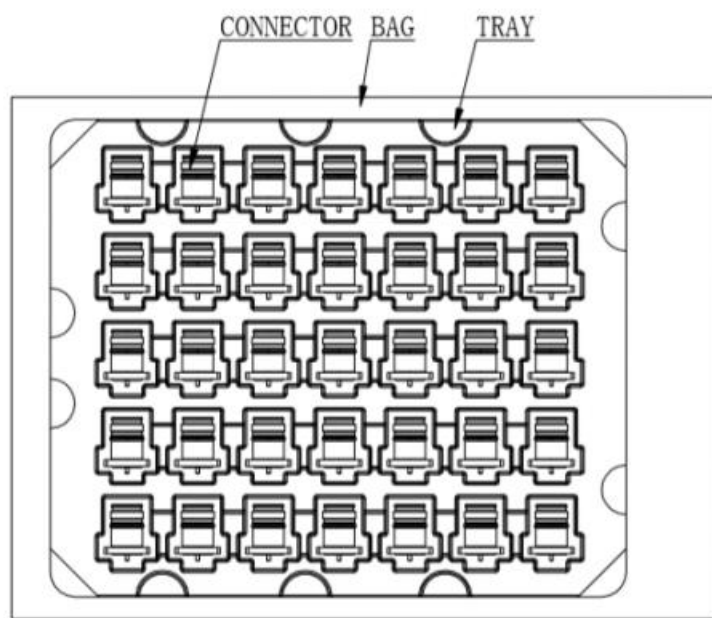
NOTE:

1. INTERFACE ACCORDING TO IEC 61169-54
2. CENTER CONTACT WITH AN INSULATOR, AND CLIP, ARE SPARE PARTS, AND WILL BE PACKAGED SEPARATELY IN BAG

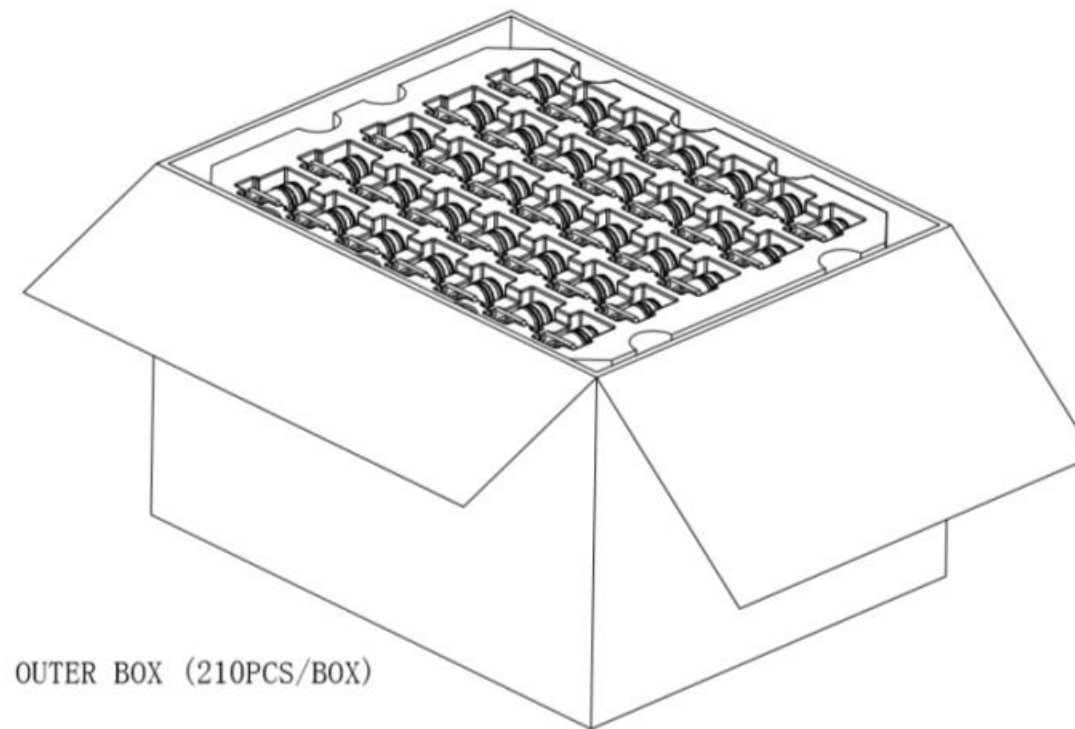
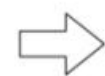
P/N	PART NAME	MATERIAL	PLATING
2081974-1	CENTER CONTACT	BRONZE	SILVER
	OUTER CONTACT	BRONZE	SILVER
	BODY	BRASS	WHITE BRONZE
	INSULATOR	PTFE	
	CLIP	PTFE	

THIS DRAWING IS A CONTROLLED DOCUMENT.		DWN	JZ	10MAR2020			
		CHK	RZ	10MAR2020			
		APVD	RS	10MAR2020			
		PRODUCT SPEC	108-115175				
DIMENSIONS: mm		TOLERANCES UNLESS OTHERWISE SPECIFIED:			NAME		
		0 PLC ±0.2			4.3-10 STRAIGHT JACK		
		1 PLC ±0.2			FOR 380 CABLE		
		2 PLC ±0.2			SOLDER TYPE, 4 HOLES SQUARE FLANGE		
		3 PLC ±0.2			SIZE		
		4 PLC ±0.2			CAGE CODE		
		ANGLES ±0.2			DRAWING NO		
MATERIAL SEE TABLE		FINISH SEE TABLE			RESTRICTED TO		
-		-			-		
		WEIGHT			A3 00779 ©-2081974		
		41g			SCALE 1:1 SHEET 1 OF 2 REV A		
		CUSTOMER DRAWING					

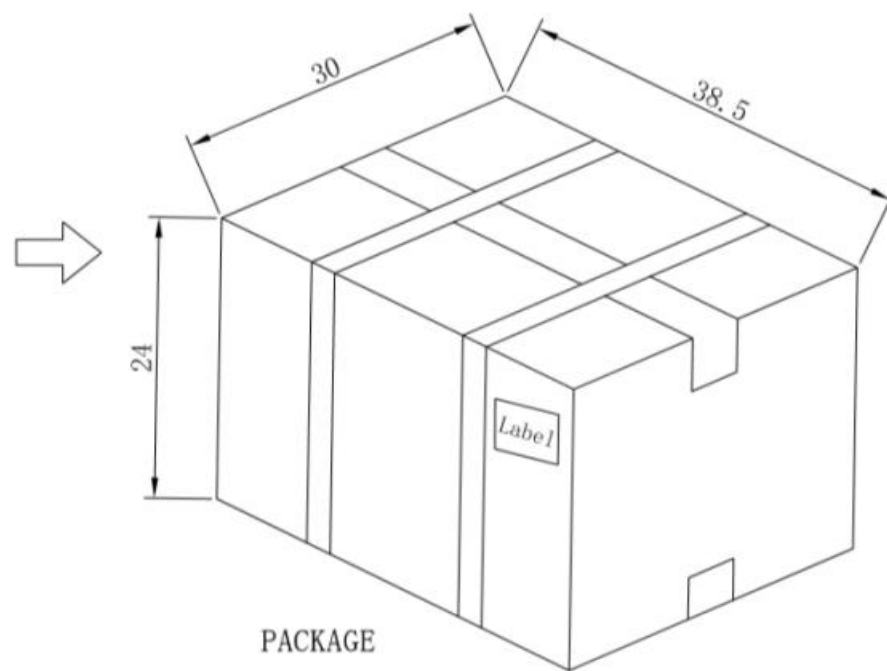
P	LTR	DESCRIPTION	DATE	DWN	APVD



TRAY PACKAGE


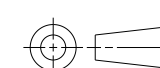


OUTER BOX (210PCS/BOX)



PACKAGE

(BOX SIZE ONLY FOR REFERENCE, UNIT: CM)

THIS DRAWING IS A CONTROLLED DOCUMENT.		DWN JZ	10MAR2020	 TE Connectivity	
DIMENSIONS: mm		CHK RZ	10MAR2020		
		APVD RS	10MAR2020		
TOLERANCES UNLESS OTHERWISE SPECIFIED:		PRODUCT SPEC	108-115175		
0 PLC ±0.2 1 PLC ±0.2 2 PLC ±0.2 3 PLC ±0.2 4 PLC ±0.2 ANGLES ±		APPLICATION SPEC	408-160018	NAME 4.3-10 STRAIGHT JACK FOR 380 CABLE SOLDER TYPE, 4 HOLES SQUARE FLANGE	
MATERIAL SEE TABLE	FINISH SEE TABLE	WEIGHT	41g	SIZE A3	CAGE CODE 00779
-		CUSTOMER DRAWING		DRAWING NO C-2081974	RESTRICTED TO -
				SCALE 1:1	SHEET 2 OF 2
				REV A	

单击下面可查看定价，库存，交付和生命周期等信息

[>>TE Connectivity\(泰科\)](#)