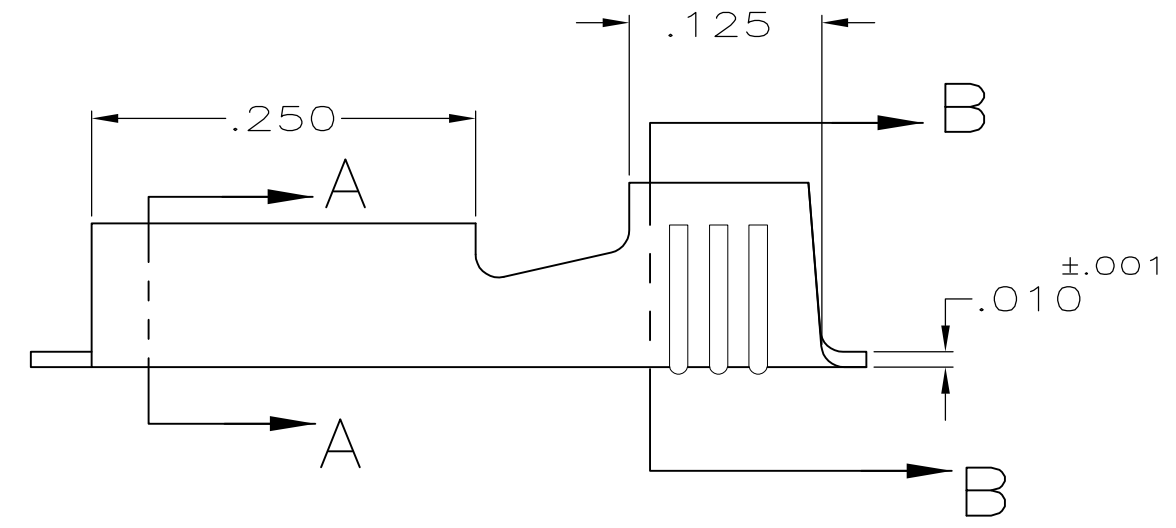
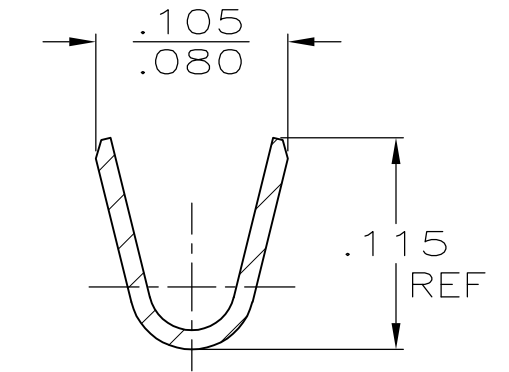
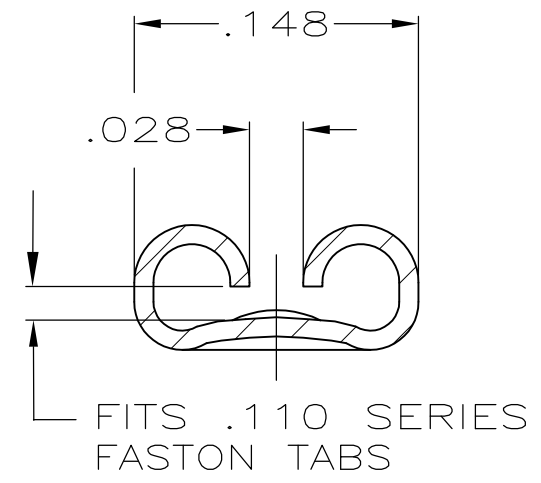
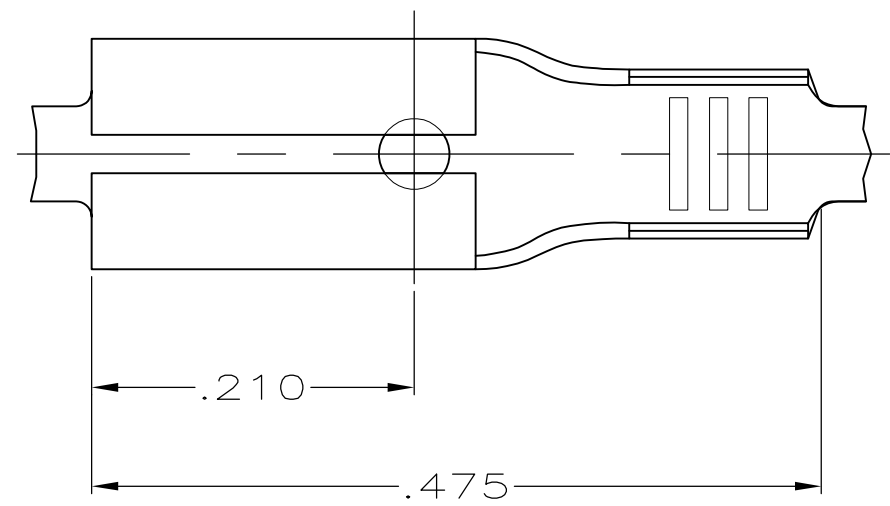


THIS DRAWING IS UNPUBLISHED. RELEASED FOR PUBLICATION  
 © COPYRIGHT - By - ALL RIGHTS RESERVED.

LOC	DIST	REVISIONS			
P	LTR	DESCRIPTION	DATE	DWN	APVD
AF	50	E	REVISED PER ECR-12-013459	27NOV2012	KH PD

- 1 CONTINUOUS STRIP ON REELS.
- 2 FEED TO BE  $.535 \pm .005$
- 3 62345-2 IS REVERSE REELED.
- 4 OBSOLETE PARTS: OBSOLETE CIS TREAMLINING PER D.RENAUD/D.SINISI



4 OBSOLETE	#20-#18 or (2)#20's	.025	3 62345-2
	#20-#18 or (2)#20's	.025	62345-1
WIRE SIZE		MATING TAB THK $\pm .001$	PART NO.

THIS DRAWING IS A CONTROLLED DOCUMENT.		DWN JR RUTH 3/28/91	TE Connectivity RECEPTACLE, FASTON,™ .110 SERIES			
DIMENSIONS: INCHES		CHK MS FEHER 3/28/91			NAME	
		APVD C MEYERS 3/28/91			PRODUCT SPEC	
TOLERANCES UNLESS OTHERWISE SPECIFIED:		APPLICATION SPEC				
MATERIAL BRASS	FINISH PRE-TIN	WEIGHT -	SIZE A3	CAGE CODE 00779	DRAWING NO C-62345	RESTRICTED TO -
CUSTOMER DRAWING			SCALE 8:1	SHEET 1 OF 1	REV E	

单击下面可查看定价，库存，交付和生命周期等信息

[>>TE Connectivity\(泰科\)](#)